



Chipsmall Limited consists of a professional team with an average of over 10 year of expertise in the distribution of electronic components. Based in Hongkong, we have already established firm and mutual-benefit business relationships with customers from,Europe,America and south Asia,supplying obsolete and hard-to-find components to meet their specific needs.

With the principle of “Quality Parts,Customers Priority,Honest Operation,and Considerate Service”,our business mainly focus on the distribution of electronic components. Line cards we deal with include Microchip,ALPS,ROHM,Xilinx,Pulse,ON,Everlight and Freescale. Main products comprise IC,Modules,Potentiometer,IC Socket,Relay,Connector.Our parts cover such applications as commercial,industrial, and automotives areas.

We are looking forward to setting up business relationship with you and hope to provide you with the best service and solution. Let us make a better world for our industry!



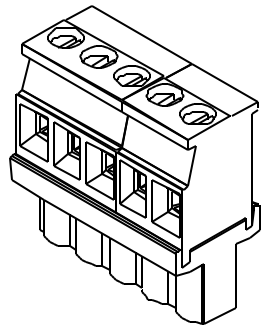
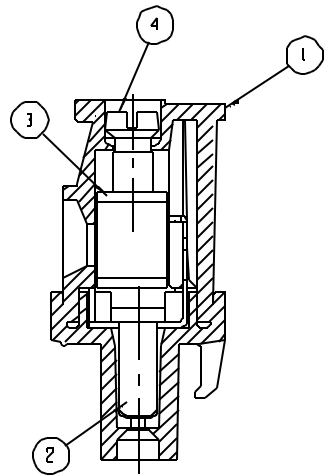
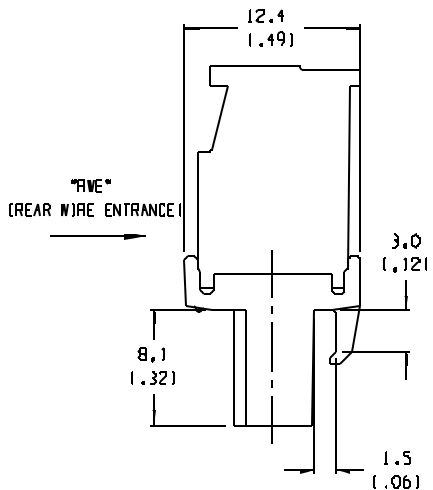
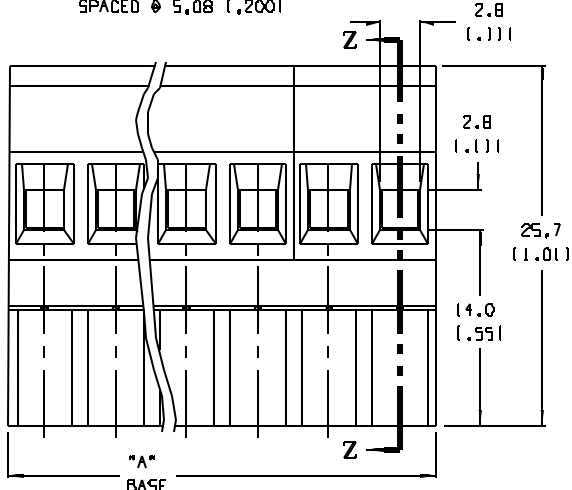
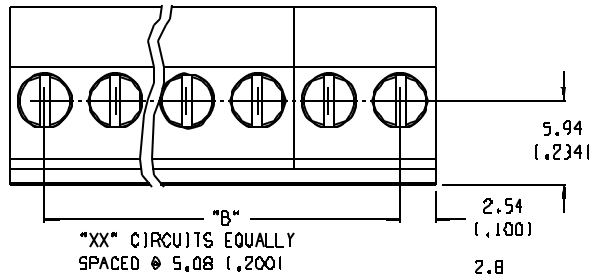
Contact us

Tel: +86-755-8981 8866 Fax: +86-755-8427 6832

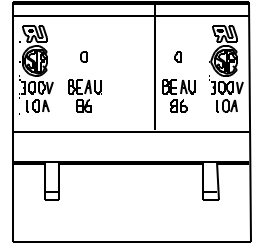
Email & Skype: info@chipsmall.com Web: www.chipsmall.com

Address: A1208, Overseas Decoration Building, #122 Zhenhua RD., Futian, Shenzhen, China





SCALE 2:1



SCALE 2:1

- NOTES:
1. MATERIAL: SEE TABLE
 2. FINISHES: SEE TABLE
 3. PRODUCT SPECIFICATION: NOT REQUIRED
 4. PACKAGING: NOT REQUIRED
 5. MATES WITH: NONE
 6. "XX" REFERS TO THE QUANTITY OF CIRCUIT POSITIONS.
 7. REFER TO DWG SD-38120-004 FOR OPTIONAL IMPRINTING (1)DAV AND (1)AVI.

ITEM	QTY.	DESCRIPTION	MATERIAL	FINISH
4	XX	SCREW, M3 X 0.5	STEEL	ZN, CLEAR CHROMATE
		SCREW, M3 X 0.5 (-G30, -49 OPT)	PHOS. BRONZE	TIN PLATE
3	XX	CAGE CLAMP	BRASS	NICKEL PLATE
2	XX	TERMINAL	PHOS. BRONZE	HOT TIN DIP
		TERMINAL, (-G30 OPT)	PHOS. BRONZE	GOLD PLATE
1	1	INSULATOR	POLYAMIDE	SEE CHART ON SHT. 2

ECN NO. ECN 3656	DRWING CY 05-05-04	DESCRIPTION MAJOR	QUALITY SYMBOLS
REV	CHK	APPR	CRITICAL
			SPEC

GENERAL TOLERANCES (UNLESS SPECIFIED)	
mm	INCH
4 PLACES	±.0015
3 PLACES	±.005
2 PLACES	±.01
1 PLACE	±.3
ANGULAR: ±2°	
DRAFT WHERE APPLICABLE MUST REMAIN WITHIN DIMENSIONS	

SCALE 3:1	DESIGN UNITS <input type="checkbox"/> MM <input checked="" type="checkbox"/> INCH	THIRD ANGLE PROJECTION <input checked="" type="checkbox"/> THIRD ANGLE <input type="checkbox"/> FIRST ANGLE
DRAWN BY & DATE R. KEMP 12-06-01		CHECKED BY & DATE P. WALTZ 12-06-01
APPROVED BY & DATE L. ROTHHAUS 12-06-01		CAD FILE NAME B608XX

PROJECT NO.	SHT	REV
DIMENSIONS: <input checked="" type="checkbox"/> MM (INCH) <input type="checkbox"/> INCH (MM) <input type="checkbox"/> INCH ONLY	REVISE ON CAD ONLY	
TITLE: VERTICAL PLUGGABLE SR BTS RWE ASSY, (5.08 [1.200] CENTERS)		
MOLEX INCORPORATED		
MATERIAL NO. SEE SHT. 2	DRAWING NO. SD-39860-013	SHEET NO. 1 OF 2
THIS DRAWING CONTAINS INFORMATION THAT IS PROPRIETARY TO MOLEX INCORPORATED AND SHOULD NOT BE USED WITHOUT WRITTEN PERMISSION.		
SIZE B		

NO. OF CIRC. "XX"	DIM. "A"	DIM. "B"	BLACK (STD.) MATERIAL NO.	BLACK MATERIAL NO. (-630 OPT)	BLACK MATERIAL NO. 1:10AV OPT	BLACK MATERIAL NO. 1:49 OPT	GREEN MATERIAL NO.
02	10.2 (1.40)	5.08 (1.200)	39860-0202	39861-0202	39862-0202	39864-0202	39860-3202
03	15.2 (1.60)	10.16 (1.400)	39860-0203	39861-0203	39862-0203	39864-0203	39860-3203
04	20.3 (1.80)	15.24 (1.600)	39860-0204	39861-0204	39862-0204	39864-0204	39860-3204
05	25.4 (1.00)	20.32 (1.800)	39860-0205	39861-0205	39862-0205	39864-0205	39860-3205
06	30.5 (1.20)	25.40 (1.000)	39860-0206	39861-0206	39862-0206	39864-0206	39860-3206
07	35.6 (1.40)	30.48 (1.200)	39860-0207	39861-0207	39862-0207	39864-0207	39860-3207
08	40.6 (1.60)	35.56 (1.400)	39860-0208	39861-0208	39862-0208	39864-0208	39860-3208
09	45.7 (1.80)	40.64 (1.600)	39860-0209	39861-0209	39862-0209	39864-0209	39860-3209
10	50.8 (2.00)	45.72 (1.800)	39860-0210	39861-0210	39862-0210	39864-0210	39860-3210
11	55.9 (2.20)	50.80 (2.000)	39860-0211	39861-0211	39862-0211	39864-0211	39860-3211
12	61.0 (2.40)	55.88 (2.200)	39860-0212	39861-0212	39862-0212	39864-0212	39860-3212
13	66.0 (2.60)	60.96 (2.400)	39860-0213	39861-0213	39862-0213	39864-0213	39860-3213
14	71.1 (2.80)	66.04 (2.600)	39860-0214	39861-0214	39862-0214	39864-0214	39860-3214
15	76.2 (3.00)	71.12 (2.800)	39860-0215	39861-0215	39862-0215	39864-0215	39860-3215
16	81.3 (3.20)	76.20 (3.000)	39860-0216	39861-0216	39862-0216	39864-0216	39860-3216
17	86.4 (3.40)	81.28 (3.200)	39860-0217	39861-0217	39862-0217	39864-0217	39860-3217
18	91.4 (3.60)	86.36 (3.400)	39860-0218	39861-0218	39862-0218	39864-0218	39860-3218
19	96.5 (3.80)	91.44 (3.600)	39860-0219	39861-0219	39862-0219	39864-0219	39860-3219
20	101.6 (4.00)	96.52 (3.800)	39860-0220	39861-0220	39862-0220	39864-0220	39860-3220
21	106.7 (4.20)	101.60 (4.000)	39860-0221	39861-0221	39862-0221	39864-0221	39860-3221
22	111.8 (4.40)	106.68 (4.200)	39860-0222	39861-0222	39862-0222	39864-0222	39860-3222
23	116.8 (4.60)	111.76 (4.400)	39860-0223	39861-0223	39862-0223	39864-0223	39860-3223
24	121.9 (4.80)	116.84 (4.600)	39860-0224	39861-0224	39862-0224	39864-0224	39860-3224

EC NO. SEE SHEET 1 DRAWN: _____ CHECK: _____ APPR: _____ REV: _____	QUALITY SYMBOLS MAJOR MINOR DRITICAL SPEC S	GENERAL TOLERANCES UNLESS SPECIFIED (EO) mm inch		SCALE <input type="checkbox"/> mm <input checked="" type="checkbox"/> INCH	DESIGN UNITS <input checked="" type="checkbox"/> THIRD ANGLE PROJECTION	PROJECT NO. - - -	DIMENSIONS: <input checked="" type="checkbox"/> mm (INCH) <input type="checkbox"/> INCH (mm) <input type="checkbox"/> mm ONLY	SHIT REV _____		
		DRAWN BY & DATE R. KEMP 12-06-01		CHECKED BY & DATE P. WALTZ 12-06-01		TITLE: VERTICAL PLUGGABLE SR BTS RWE ASSY, 15.08 (1.200) CENTERS!				
		APPROVED BY & DATE L. ROTHBAUS 12-06-01		CAD FILENAME 8608XX		MATERIAL NO. SEE CHART		DRAWING NO. SD-39860-013		SHEET NO. 2 OF 2
		DRAFT WHERE APPLICABLE MUST REMAIN WITHIN DIMENSIONS								THIS DRAWING CONTAINS INFORMATION THAT IS PROPRIETARY TO MOLEX INCORPORATED AND SHOULD NOT BE USED WITHOUT WRITTEN PERMISSION.