



Chipsmall Limited consists of a professional team with an average of over 10 year of expertise in the distribution of electronic components. Based in Hongkong, we have already established firm and mutual-benefit business relationships with customers from,Europe,America and south Asia,supplying obsolete and hard-to-find components to meet their specific needs.

With the principle of “Quality Parts,Customers Priority,Honest Operation,and Considerate Service”,our business mainly focus on the distribution of electronic components. Line cards we deal with include Microchip,ALPS,ROHM,Xilinx,Pulse,ON,Everlight and Freescale. Main products comprise IC,Modules,Potentiometer,IC Socket,Relay,Connector.Our parts cover such applications as commercial,industrial, and automotives areas.

We are looking forward to setting up business relationship with you and hope to provide you with the best service and solution. Let us make a better world for our industry!



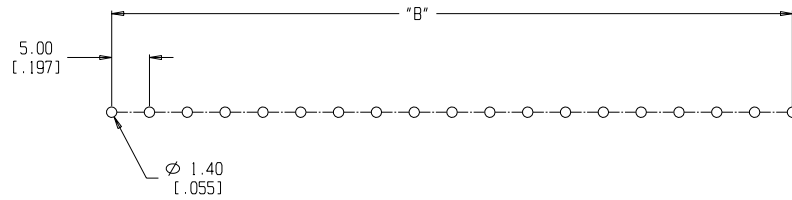
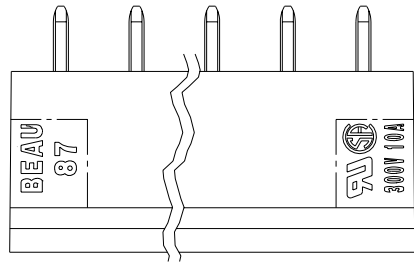
Contact us

Tel: +86-755-8981 8866 Fax: +86-755-8427 6832

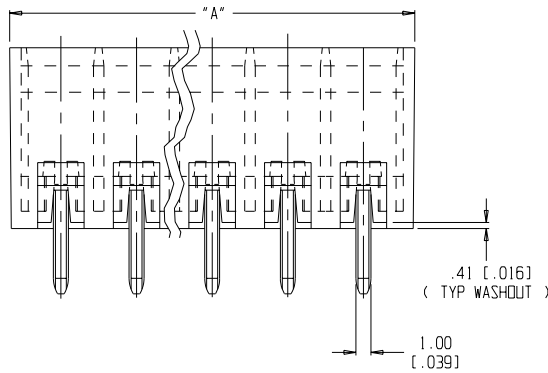
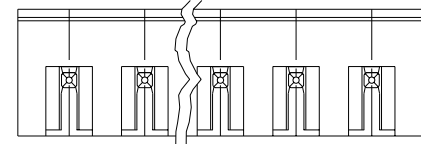
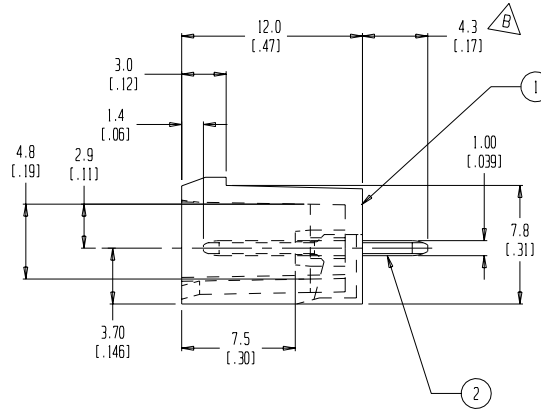
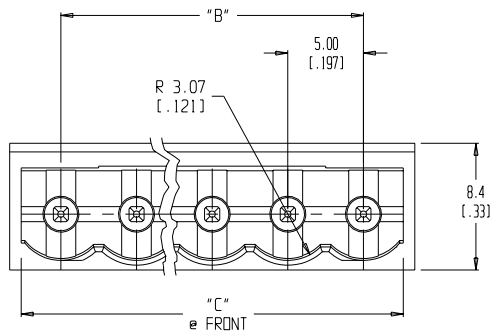
Email & Skype: info@chipsmall.com Web: www.chipsmall.com

Address: A1208, Overseas Decoration Building, #122 Zhenhua RD., Futian, Shenzhen, China





RECOMMENDED PLATED THRU HOLE PATTERN
SCALE 2:1



NOTES:

1. MATERIAL: SEE TABLE
2. FINISHES: SEE TABLE
3. PRODUCT SPECIFICATION: NOT REQUIRED
4. PACKAGING: NOT REQUIRED
5. MATES WITH: 87 SERIES PLUG
6. "XX" REFERS TO THE NUMBER OF CIRCUIT POSITIONS.
7. FOR 10A AND 11A IMPRINTING SEE DRAWING SD-38120-003.
8. DIMENSIONS IN BRACKETS ARE INCHES.

ITEM	QTY.	DESCRIPTION	MATERIAL	FINISH
2	XX	STRAIGHT HEADER PIN	BRASS	TIN PLATED GOLD PLATED
1	1	BASE MOLDING	THERMOPLASTIC	SEE CHART

EC NO. 11452
DRWN: RK 10-2-03
CHK: []
APPR: []

QUALITY SYMBOLS	GENERAL TOLERANCES: (UNLESS SPECIFIED)	
	mm	INCH
MAJOR \blacktriangledown =	4 PLACES	± 0.015
CRITICAL ∇ =	3 PLACES	± 0.038 ± 0.005
SPC ∇ =	2 PLACES	± 0.13 ± 0.01
	1 PLACE	± 0.3
	ANGULAR:	$\pm 2^\circ$

DRAFT WHERE APPLICABLE MUST REMAIN WITHIN DIMENSIONS

SCALE 4:1
DESIGN UNITS mm INCH
DRAWN BY & DATE
W. HOWARD 08-20-03
CHECKED BY & DATE
R. KEMP 08-28-03
APPROVED BY & DATE
P. WALTZ 09-02-03
CAD FILENAME
8716XX01

PROJECT NO. - -
DIMENSIONS: mm INCH mm ONLY
THIRD ANGLE PROJECTION
TITLE:
HEADER ST, CLOSED ENDS, ASSY.
(5.00 [0.197] CENTERS)
MOLEX INCORPORATED
MATERIAL NO. -
DRAWING NO. SD-39870-006
SHEET NO. 1 OF 2
SIZE C

BLACK (STD) MATERIAL NO.	BLACK (-G30 OPT) MATERIAL NO.	10A IMPRINT MATERIAL NO.	11A IMPRINT MATERIAL NO.	NUMBER OF CIRCUITS "XX"	DIM. "A" ±.38 [.015]	DIM. "B"	DIM. "C" ±.33 [.012]
398700502	398710502	398720502	398730502	02	11.30 [.445]	5.00 [.197]	10.34 [.407]
398700503	398710503	398720503	398730503	03	16.31 [.642]	10.01 [.394]	15.34 [.604]
398700504	398710504	398720504	398730504	04	21.31 [.839]	15.01 [.591]	20.35 [.801]
398700505	398710505	398720505	398730505	05	26.31 [1.036]	20.02 [.788]	25.35 [.998]
398700506	398710506	398720506	398730506	06	31.32 [1.233]	25.02 [.985]	30.35 [1.195]
398700507	398710507	398720507	398730507	07	36.33 [1.454]	30.02 [1.182]	35.36 [1.392]
398700508	398710508	398720508	398730508	08	41.34 [1.651]	35.03 [1.379]	40.36 [1.589]
398700509	398710509	398720509	398730509	09	46.34 [1.848]	40.03 [1.576]	45.36 [1.786]
398700510	398710510	398720510	398730510	10	51.34 [2.045]	45.03 [1.773]	50.37 [1.983]
398700511	398710511	398720511	398730511	11	56.35 [2.242]	50.04 [1.970]	55.37 [2.180]
398700512	398710512	398720512	398730512	12	61.35 [2.439]	55.04 [2.167]	60.38 [2.377]
398700513	398710513	398720513	398730513	13	66.35 [2.636]	60.05 [2.364]	65.38 [2.574]
398700514	398710514	398720514	398730514	14	71.36 [2.833]	65.05 [2.561]	70.38 [2.771]
398700515	398710515	398720515	398730515	15	76.36 [3.030]	70.31 [2.768]	75.39 [2.968]
398700516	398710516	398720516	398730516	16	81.37 [3.227]	75.06 [2.955]	80.39 [3.165]
398700517	398710517	398720517	398730517	17	86.37 [3.424]	80.06 [3.152]	85.39 [3.362]
398700518	398710518	398720518	398730518	18	91.37 [3.621]	85.06 [3.349]	90.40 [3.559]
398700519	398710519	398720519	398730519	19	96.38 [3.818]	90.07 [3.546]	95.40 [3.756]
398700520	398710520	398720520	398730520	20	101.38 [4.015]	95.07 [3.743]	100.41 [3.953]
398700521	398710521	398720521	398730521	21	106.38 [4.212]	100.08 [3.940]	105.41 [4.150]
398700522	398710522	398720522	398730522	22	111.39 [4.409]	105.08 [4.137]	110.41 [4.347]
398700523	398710523	398720523	398730523	23	116.39 [4.606]	110.08 [4.334]	115.42 [4.544]
398700524	398710524	398720524	398730524	24	122.00 [4.803]	115.09 [4.531]	120.42 [4.741]

EC NO. SEE PAGE ONE	QUALITY SYMBOLS MAJOR = CRITICAL = SPC = S =	GENERAL TOLERANCES: (UNLESS SPECIFIED)		SCALE -	DESIGN UNITS <input type="checkbox"/> mm <input checked="" type="checkbox"/> INCH	THIRD ANGLE PROJECTION	PROJECT NO. -	-	-
		4 PLACES ±.0015	mm INCH	DRAWN BY & DATE W. HOWARD 08-20-03	DIMENSIONS: <input checked="" type="checkbox"/> mm <input type="checkbox"/> INCH <input type="checkbox"/> mm ONLY		SHT	REV	
DRWN: -	CHK: -	APPR: -	3 PLACES ±.038	APPROVED BY & DATE	TITLE: HEADER ST, CLOSED ENDS, ASSY. (5.00 [.197] CENTERS)				
REV: -	DESCRIPTION	1 PLACE ±.3	2 PLACES ±.13	CAD FILENAME 8716XX01	MATERIAL NO. -		DRAWING NO. SD-39870-006	SHEET NO. 2 OF 2	
DRAFT WHERE APPLICABLE MUST REMAIN WITHIN DIMENSIONS			ANGULAR: ±2°	THIS DRAWING CONTAINS INFORMATION THAT IS PROPRIETARY TO MOLEX INCORPORATED AND SHOULD NOT BE USED WITHOUT WRITTEN PERMISSION.					
				SIZE C					