



Chipsmall Limited consists of a professional team with an average of over 10 year of expertise in the distribution of electronic components. Based in Hongkong, we have already established firm and mutual-benefit business relationships with customers from,Europe,America and south Asia,supplying obsolete and hard-to-find components to meet their specific needs.

With the principle of “Quality Parts,Customers Priority,Honest Operation,and Considerate Service”,our business mainly focus on the distribution of electronic components. Line cards we deal with include Microchip,ALPS,ROHM,Xilinx,Pulse,ON,Everlight and Freescale. Main products comprise IC,Modules,Potentiometer,IC Socket,Relay,Connector.Our parts cover such applications as commercial,industrial, and automotives areas.

We are looking forward to setting up business relationship with you and hope to provide you with the best service and solution. Let us make a better world for our industry!



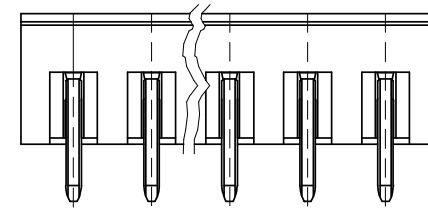
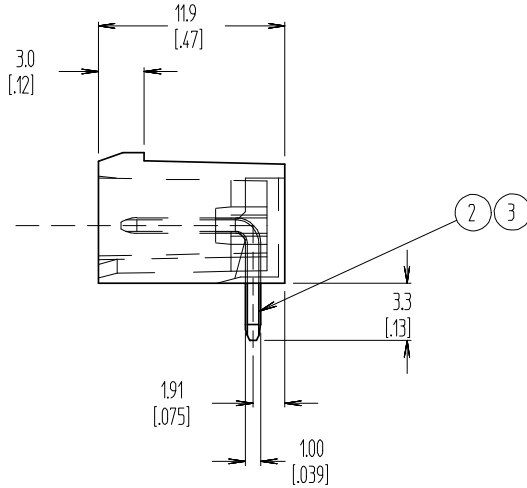
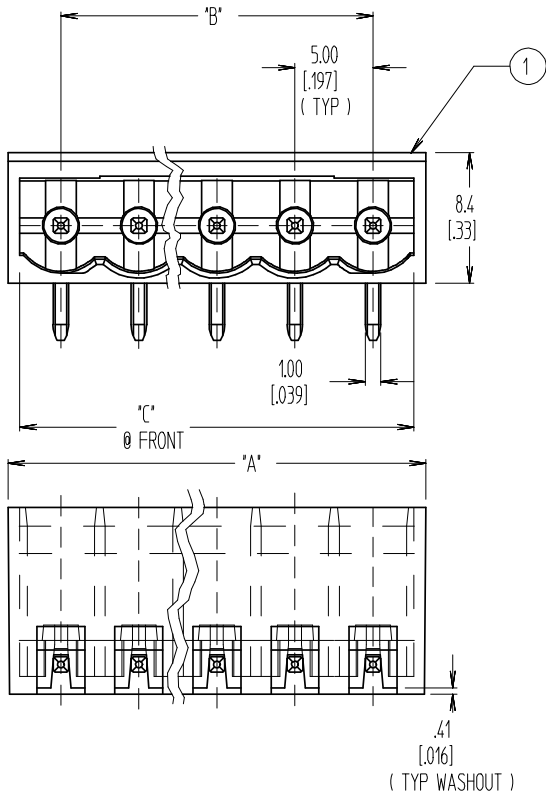
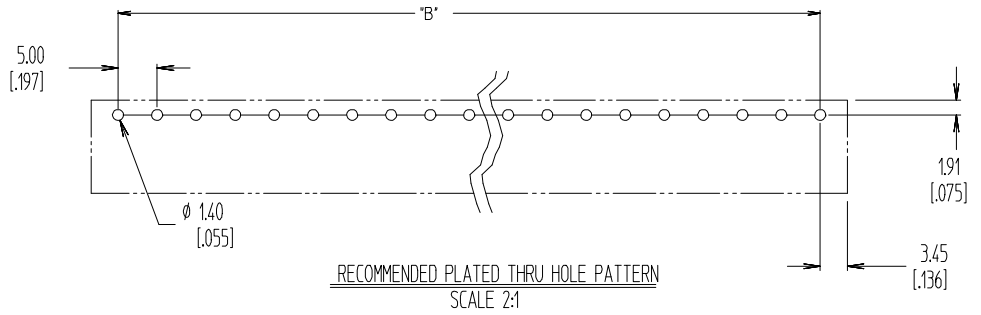
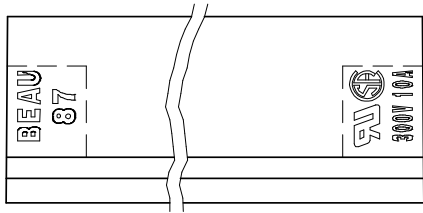
## Contact us

Tel: +86-755-8981 8866 Fax: +86-755-8427 6832

Email & Skype: info@chipsmall.com Web: www.chipsmall.com

Address: A1208, Overseas Decoration Building, #122 Zhenhua RD., Futian, Shenzhen, China





NOTES:

1. MATERIAL: SEE TABLE
2. FINISHES: SEE TABLE
3. MATES WITH: 87 SERIES PLUGGABLE PCB TERMINAL BLOCK
4. INCH DIMS ARE SHOWN IN BRACKETS [XXX]
5. "XX" REFERS TO NUMBER OF CIRCUITS
6. REFER TO SD-38120-003 FOR IMPRINTING OPTIONS (10A AND 11A).
7. ALL COMPONENTS ARE ROHS COMPLIANT.

3	XX	HEADER PIN (-G30 OPTION)	BRASS	GOLD PLATE
2	XX	HEADER PIN (STANDARD)	BRASS	TIN PLATE
1	1	HEADER INSULATOR	NYLON	SEE CHART ON SHEET 2
ITEM	QTY.	DESCRIPTION	MATERIAL	FINISH

ADD MATERIAL NO. EC NO: ETC2006-0436 DRAWN: CYORK 2006/05/16 CHKD: RDEROSS 2006/05/17 APPR: RDEROSS 2006/05/19	QUALITY SYMBOLS
	▼=0 ▽=0
	DESCRIPTION
	REV

GENERAL TOLERANCES (UNLESS SPECIFIED)																
	<table border="1"> <tr> <td></td> <td>mm</td> <td>INCH</td> </tr> <tr> <td>4 PLACES</td> <td>±---</td> <td>±---</td> </tr> <tr> <td>3 PLACES</td> <td>±---</td> <td>±.005</td> </tr> <tr> <td>2 PLACES</td> <td>±0.13</td> <td>±.01</td> </tr> <tr> <td>1 PLACE</td> <td>±0.3</td> <td>±---</td> </tr> </table>		mm	INCH	4 PLACES	±---	±---	3 PLACES	±---	±.005	2 PLACES	±0.13	±.01	1 PLACE	±0.3	±---
	mm	INCH														
4 PLACES	±---	±---														
3 PLACES	±---	±.005														
2 PLACES	±0.13	±.01														
1 PLACE	±0.3	±---														
ANGULAR ± 2 °																
DRAFT WHERE APPLICABLE MUST REMAIN WITHIN DIMENSIONS																

DIMENSION STYLE	
MM/IN	
DRAWN BY	DATE
C. YORK	2003/08/07
CHECKED BY	DATE
R. KEMP	2003/08/07
APPROVED BY	DATE
P. WALTZ	2003/08/07
MATERIAL NO.	
SEE SHT. 2	
SIZE	B

SCALE	DESIGN UNITS	THIRD ANGLE PROJECTION
3:1	INCH	
TITLE		
HEADER, RA, CLOSED ENDS ASSY, 5.00 [0.197"] CNTRS		
MOLEX INCORPORATED		SHEET NO.
DOCUMENT NO. SD-39870-002		1 OF 2
THIS DRAWING CONTAINS INFORMATION THAT IS PROPRIETARY TO MOLEX INCORPORATED AND SHOULD NOT BE USED WITHOUT WRITTEN PERMISSION		

©

MATERIAL NO. (STANDARD) BLACK INSULATOR	MATERIAL NO. (-G30 OPTION) BLACK INSULATOR	MATERIAL NO. (-GRN OPTION) GREEN INSULATOR	MATERIAL NO. (-10A OPTION) BLACK INSULATOR	MATERIAL NO. (-11A OPTION) BLACK INSULATOR	NUMBER OF CIRCUITS "XX"	DIM. "A" ±.015	DIM. "B"	DIM. "C" ±.005 -.012
398700702	398710702	398702702	398720702	398730702	02	11.30 [.445]	5.00 [.197]	10.34 [.407]
398700703	398710703	398702703	398720703	398730703	03	16.31 [.642]	10.01 [.394]	15.34 [.604]
398700704	398710704	398702704	398720704	398730704	04	21.31 [.839]	15.01 [.591]	20.35 [.801]
398700705	398710705	398702705	398720705	398730705	05	26.31 [1.036]	20.02 [.788]	25.35 [.998]
398700706	398710706	398702706	398720706	398730706	06	31.32 [1.233]	25.02 [.985]	30.35 [1.195]
398700707	398710707	398702707	398720707	398730707	07	36.93 [1.454]	30.02 [1.182]	35.36 [1.392]
398700708	398710708	398702708	398720708	398730708	08	41.94 [1.651]	35.03 [1.379]	40.36 [1.589]
398700709	398710709	398702709	398720709	398730709	09	46.94 [1.848]	40.03 [1.576]	45.36 [1.786]
398700710	398710710	398702710	398720710	398730710	10	51.94 [2.045]	45.03 [1.773]	50.37 [1.983]
398700711	398710711	398702711	398720711	398730711	11	56.95 [2.242]	50.04 [1.970]	55.37 [2.180]
398700712	398710712	398702712	398720712	398730712	12	61.95 [2.439]	55.04 [2.167]	60.38 [2.377]
398700713	398710713	398702713	398720713	398730713	13	66.95 [2.636]	60.05 [2.364]	65.38 [2.574]
398700714	398710714	398702714	398720714	398730714	14	71.96 [2.833]	65.05 [2.561]	70.38 [2.771]
398700715	398710715	398702715	398720715	398730715	15	76.96 [3.030]	70.05 [2.758]	75.39 [2.968]
398700716	398710716	398702716	398720716	398730716	16	81.97 [3.227]	80.06 [2.955]	80.39 [3.165]
398700717	398710717	398702717	398720717	398730717	17	86.97 [3.424]	85.06 [3.152]	85.39 [3.362]
398700718	398710718	398702718	398720718	398730718	18	91.97 [3.621]	90.07 [3.349]	90.40 [3.559]
389700719	389710719	398702719	398720719	398730719	19	96.98 [3.818]	95.07 [3.546]	95.40 [3.756]
389700720	389710720	398702720	398720720	398730720	20	101.98 [4.015]	100.08 [3.743]	100.41 [3.953]
398700721	398710721	398702721	398720721	398730721	21	106.98 [4.212]	105.08 [3.940]	105.41 [4.150]
398700722	398710722	398702722	398720722	398730722	22	111.99 [4.409]	110.08 [4.137]	110.41 [4.347]
398700723	398710723	398702723	398720723	398730723	23	116.99 [4.606]	110.08 [4.334]	115.42 [4.544]
398700724	398710724	398702724	398720724	398730724	24	122.00 [4.803]	115.09 [4.531]	120.42 [4.741]

SEE SHEET 1 EC NO: ETC2006-0436 DRAWN: C YORK 2006/05/16 CHKD: R ROSS 2006/05/17 APPR: R ROSS 2006/05/19	QUALITY SYMBOLS ▽=0 ▽=0	GENERAL TOLERANCES (UNLESS SPECIFIED)		DIMENSION STYLE MM/IN		SCALE 3:1	DESIGN UNITS INCH	THIRD ANGLE PROJECTION	
		4 PLACES ± --- ± ---	3 PLACES ± --- ± .005	2 PLACES ± 0.13 ± .01	1 PLACE ± 0.3 ± ---	DRAWN BY C. YORK			DATE 2003/08/07
		ANGULAR ± 2 °				CHECKED BY R. KEMP		DATE 2003/08/07	MOLEX INCORPORATED
		DRAFT WHERE APPLICABLE MUST REMAIN WITHIN DIMENSIONS				APPROVED BY P. WALTZ		DATE 2003/08/07	
SIZE B THIS DRAWING CONTAINS INFORMATION THAT IS PROPRIETARY TO MOLEX INCORPORATED AND SHOULD NOT BE USED WITHOUT WRITTEN PERMISSION									