



Chipsmall Limited consists of a professional team with an average of over 10 year of expertise in the distribution of electronic components. Based in Hongkong, we have already established firm and mutual-benefit business relationships with customers from,Europe,America and south Asia,supplying obsolete and hard-to-find components to meet their specific needs.

With the principle of “Quality Parts,Customers Priority,Honest Operation,and Considerate Service”,our business mainly focus on the distribution of electronic components. Line cards we deal with include Microchip,ALPS,ROHM,Xilinx,Pulse,ON,Everlight and Freescale. Main products comprise IC,Modules,Potentiometer,IC Socket,Relay,Connector.Our parts cover such applications as commercial,industrial, and automotives areas.

We are looking forward to setting up business relationship with you and hope to provide you with the best service and solution. Let us make a better world for our industry!



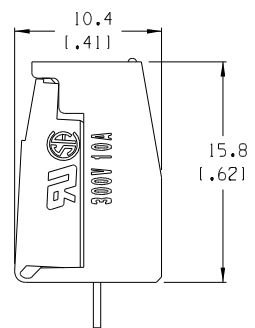
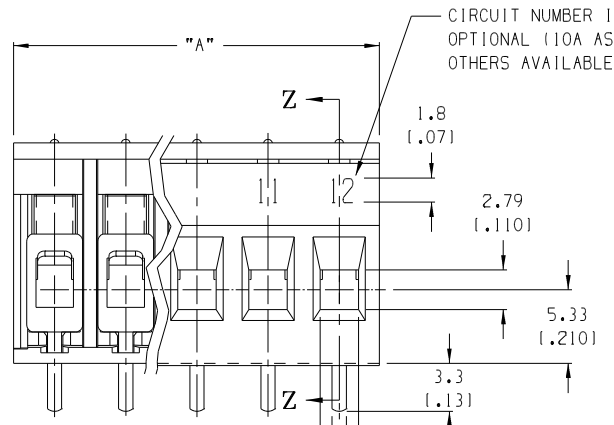
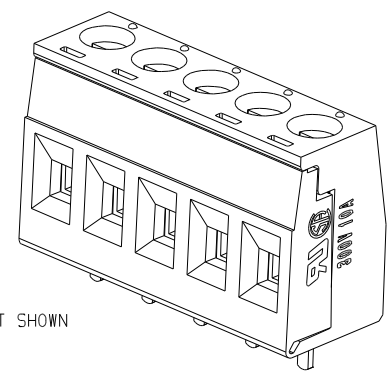
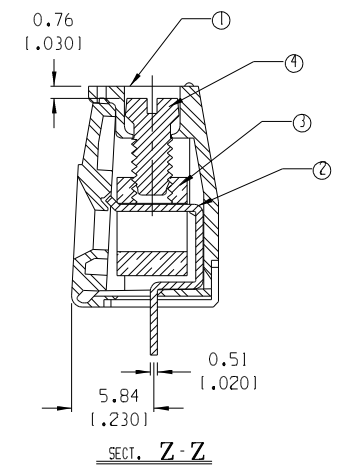
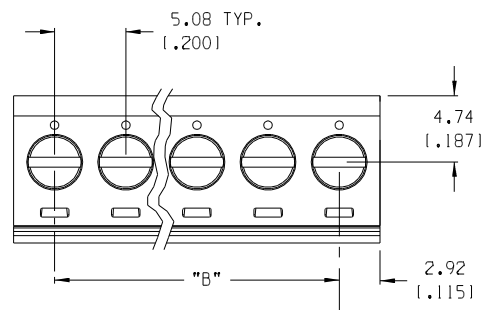
Contact us

Tel: +86-755-8981 8866 Fax: +86-755-8427 6832

Email & Skype: info@chipsmall.com Web: www.chipsmall.com

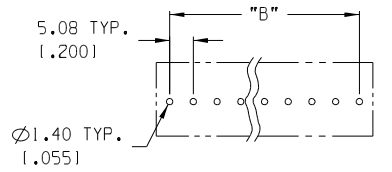
Address: A1208, Overseas Decoration Building, #122 Zhenhua RD., Futian, Shenzhen, China





NUMBER OF CIRCUITS "XX"	DIM. "A"	DIM. "B"	MATERIAL NO. STD PACKAGING	MATERIAL NO. SPECIAL PACKAGING
02	10.9 (1.43)	5.08 (1.200)	39880-0102	
03	16.0 (1.63)	10.16 (1.400)	39880-0103	39889-0014
04	21.1 (1.83)	15.24 (1.600)	39880-0104	
05	26.2 (1.03)	20.32 (1.800)	39880-0105	
06	31.2 (1.23)	25.40 (1.000)	39880-0106	39889-0015
07	36.3 (1.43)	30.48 (1.200)	39880-0107	39889-0016
08	41.4 (1.63)	35.56 (1.400)	39880-0108	
09	46.5 (1.83)	40.64 (1.600)	39880-0109	
10	51.6 (2.03)	45.72 (1.800)	39880-0110	
11	56.6 (2.23)	50.80 (2.000)	39880-0111	
12	61.7 (2.43)	55.88 (2.200)	39880-0112	39889-0017
13	66.8 (2.63)	60.96 (2.400)	39880-0113	
14	71.9 (2.83)	66.04 (2.600)	39880-0114	39889-0018
15	77.0 (3.03)	71.12 (2.800)	39880-0115	
16	82.0 (3.23)	76.20 (3.000)	39880-0116	
17	87.1 (3.43)	81.28 (3.200)	39880-0117	
18	92.2 (3.63)	86.36 (3.400)	39880-0118	39889-0019
19	97.3 (3.83)	91.44 (3.600)	39880-0119	
20	102.4 (4.03)	96.52 (3.800)	39880-0120	
21	107.4 (4.23)	101.60 (4.000)	39880-0121	
22	112.5 (4.43)	106.68 (4.200)	39880-0122	
23	117.6 (4.63)	111.76 (4.400)	39880-0123	
24	122.7 (4.83)	116.84 (4.600)	39880-0124	

- NOTES:
1. MATERIAL: SEE TABLE
 2. FINISHES: SEE TABLE
 3. PRODUCT SPECIFICATION: NOT REQUIRED
 4. PACKAGING: SEE TABLE
 5. MATES WITH: NONE
 6. "XX" REFERS TO NUMBER OF CIRCUITS



RECOMMENDED PTH PATTERN
SCALE 1:1

ITEM	QTY.	DESCRIPTION	MATERIAL	FINISH
4	XX	SCREW, M3 X 0.5, SLOTTED	STEEL	ZN, CLEAR CHROMATE
3	XX	CAGE CLAMP	BRASS	NICKEL
2	XX	TERMINAL, PC	PHOS. BRONZE	HOT TIN DIP
1	I	INSULATOR, SINGLE ROW	THERMOPLASTIC	BLACK

EC NO. ECN# 3963
 DRWN: CH'K: CY 12-22-04
 APPR:

QUALITY SYMBOLS:
 MAJOR:
 CRITICAL:
 SPC:
 S:

GENERAL TOLERANCES: (UNLESS SPECIFIED)	
mm	INCH
4 PLACES ±.038	±.0015
3 PLACES ±.008	±.005
2 PLACES ±.13	±.01
1 PLACE ±.3	±.1
ANGULAR: ±2°	

SCALE 3:1
 DESIGN UNITS: mm INCH
 THIRD ANGLE PROJECTION:
 DRAWN BY & DATE: R. KEMP 4-8-02
 CHECKED BY & DATE: P. WALTZ 4-8-02
 APPROVED BY & DATE: L. ROTHBAUS 4-8-02
 CAD FILENAME: 8805XX

PROJECT NO. -
 DIMENSIONS: mm INCH mm ONLY INCH ONLY
 SHT REV
 REVISE ON CAD ONLY

TITLE:
 5.08mm (.200") SR BTS,
 CS ASSY, FIXED

MOLEX INCORPORATED

MATERIAL NO. SD-39880-001
 DRAWING NO. SD-39880-001
 SHEET NO. 1 OF 1

THIS DRAWING CONTAINS INFORMATION THAT IS PROPRIETARY TO MOLEX INCORPORATED AND SHOULD NOT BE USED WITHOUT WRITTEN PERMISSION.

SIZE B