



Chipsmall Limited consists of a professional team with an average of over 10 year of expertise in the distribution of electronic components. Based in Hongkong, we have already established firm and mutual-benefit business relationships with customers from,Europe,America and south Asia,supplying obsolete and hard-to-find components to meet their specific needs.

With the principle of "Quality Parts,Customers Priority,Honest Operation,and Considerate Service",our business mainly focus on the distribution of electronic components. Line cards we deal with include Microchip,ALPS,ROHM,Xilinx,Pulse,ON,Everlight and Freescale. Main products comprise IC,Modules,Potentiometer,IC Socket,Relay,Connector.Our parts cover such applications as commercial,industrial, and automotives areas.

We are looking forward to setting up business relationship with you and hope to provide you with the best service and solution. Let us make a better world for our industry!



Contact us

Tel: +86-755-8981 8866 Fax: +86-755-8427 6832

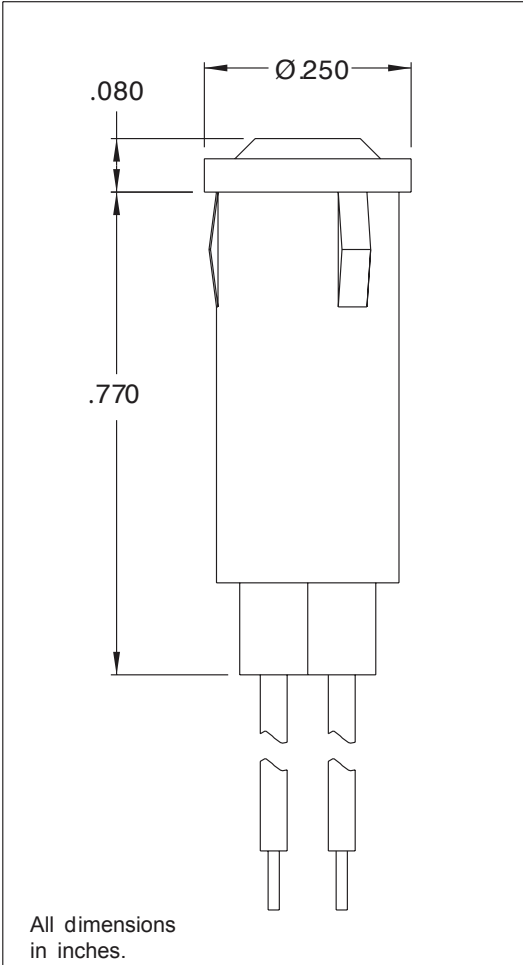
Email & Skype: info@chipsmall.com Web: www.chipsmall.com

Address: A1208, Overseas Decoration Building, #122 Zhenhua RD., Futian, Shenzhen, China





3990A Series 0.22" (5.5mm) LED Panel Mount Indicator



Features

Mounting: Will snap-fit into Ø.217" - .221" hole in panels
.031" - .062" thick

Wire leads: Red and White. #24 AWG, 4.4"/4.8" long, stripped .430"/.570"

Anode(+): Red lead

Housing: White nylon

Lens: Polycarbonate

Part Number	Color	Intensity Typ. (mcd)	Current Rated (mA)	Forward Current @1ms 20% Duty Cycle (mA)	Voltage Typ. Forward (V)	Forward Voltage Max. (V)	Power Dissipation (mW)	Voltage Min. Breakdown (V)
3990A1	Red	16	10	60	2.0	3.0	60	5
3990A5	Green	25	10	60	2.1	3.0	75	5
3990A7	Yellow	10	10	60	2.1	3.0	60	5