



Chipsmall Limited consists of a professional team with an average of over 10 year of expertise in the distribution of electronic components. Based in Hongkong, we have already established firm and mutual-benefit business relationships with customers from,Europe,America and south Asia,supplying obsolete and hard-to-find components to meet their specific needs.

With the principle of “Quality Parts,Customers Priority,Honest Operation,and Considerate Service”,our business mainly focus on the distribution of electronic components. Line cards we deal with include Microchip,ALPS,ROHM,Xilinx,Pulse,ON,Everlight and Freescale. Main products comprise IC,Modules,Potentiometer,IC Socket,Relay,Connector.Our parts cover such applications as commercial,industrial, and automotives areas.

We are looking forward to setting up business relationship with you and hope to provide you with the best service and solution. Let us make a better world for our industry!



## Contact us

Tel: +86-755-8981 8866 Fax: +86-755-8427 6832

Email & Skype: info@chipsmall.com Web: www.chipsmall.com

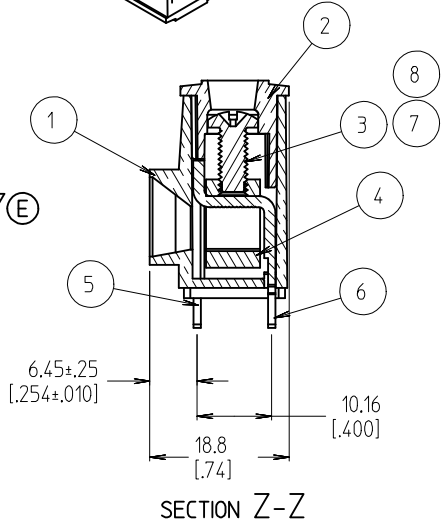
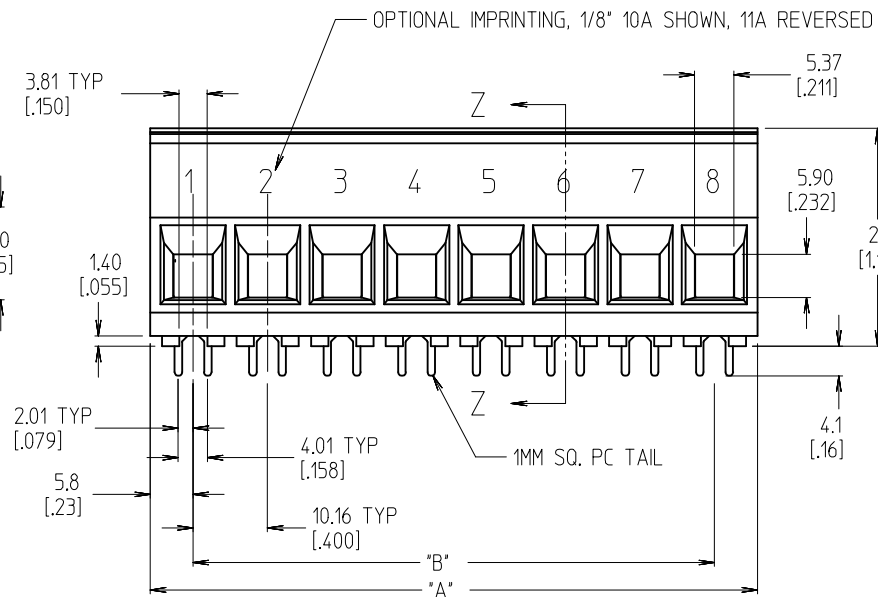
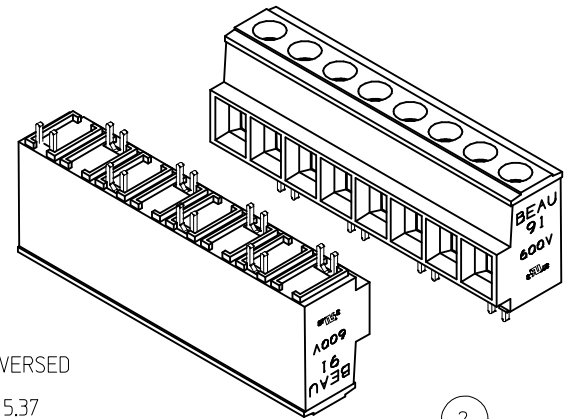
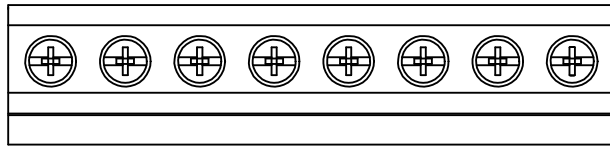
Address: A1208, Overseas Decoration Building, #122 Zhenhua RD., Futian, Shenzhen, China





NOTES:

1. MATERIAL: SEE TABLE
  2. FINISHES: SEE TABLE
  3. PART IS DESIGNED TO MEET UL 1059 CLASS C 600V, 60A
  4. STAGGERED PC TAIL POSITION ON ALTERNATE CIRCUITS
  5. \*XX\* REFERS TO NUMBER OF CIRCUITS
  6. FOR OPTIONAL IMPRINTING, REFER TO SD-38120-005.
  7. ASSEMBLY IS ROHS COMPLIANT BY EXEMPTION.
- COMPONENTS MARKED WITH AN ASTERISK (\*) ARE ROHS COMPLIANT BY EXEMPTION. ALL OTHER ARE ROHS COMPLIANT.



|   |     |                           |               |           |
|---|-----|---------------------------|---------------|-----------|
| 8 | XX  | SCREW, M4 X 0.7 POZI-SLOT | ST. STEEL     | PASSVATED |
| 7 | XX  | SCREW, M4 X 0.7 SLOTTED   | BRONZE        | TIN       |
| 6 | A/R | REAR TERMINAL             | COPPER        | TIN       |
| 5 | A/R | FRONT TERMINAL            | COPPER        | TIN       |
| 4 | XX  | CAGE (*)                  | BRASS         | NICKEL    |
| 3 | XX  | SCREW, M4 X 0.7 POZI-SLOT | BRONZE        | TIN       |
| 2 | 1   | COVER                     | THERMOPLASTIC | BLACK     |
| 1 | 1   | BODY                      | THERMOPLASTIC | BLACK     |

| ITEM | QTY. | DESCRIPTION | MATERIAL | FINISH |
|------|------|-------------|----------|--------|
|------|------|-------------|----------|--------|

| ADD CTQ. DIM.<br>EC NO: IPG2013-1881<br>DRAWN: JENC INAS 2013/09/19<br>CHKD: JMAGNEIL 2013/09/19<br>APPR: JMAGNEIL 2013/09/24 | QUALITY SYMBOLS  | GENERAL TOLERANCES (UNLESS SPECIFIED)<br><table border="1"> <tr> <th></th> <th>mm</th> <th>INCH</th> </tr> <tr> <td>4 PLACES</td> <td>± ---</td> <td>± ---</td> </tr> <tr> <td>3 PLACES</td> <td>± ---</td> <td>± .005</td> </tr> <tr> <td>2 PLACES</td> <td>± 0.13</td> <td>± .01</td> </tr> <tr> <td>1 PLACE</td> <td>± 0.3</td> <td>± ---</td> </tr> </table> ANGULAR ± 2° |   | mm     | INCH             | 4 PLACES | ± --- | ± --- | 3 PLACES | ± --- | ± .005 | 2 PLACES | ± 0.13 | ± .01 | 1 PLACE | ± 0.3 | ± --- | DIMENSION STYLE | SCALE | DESIGN UNITS | THIRD ANGLE PROJECTION |
|---|--|---|---|--------|------------------|----------|-------|-------|----------|-------|--------|----------|--------|-------|---------|-------|-------|-----------------|-------|--------------|------------------------|
|   |  |   | mm  | INCH   |                  |          |       |       |          |       |        |          |        |       |         |       |       |                 |       |              |                        |
|   | 4 PLACES   |   | ± ---   | ± ---  |                  |          |       |       |          |       |        |          |        |       |         |       |       |                 |       |              |                        |
|   | 3 PLACES   |   | ± ---   | ± .005 |                  |          |       |       |          |       |        |          |        |       |         |       |       |                 |       |              |                        |
| 2 PLACES  | ± 0.13   | ± .01   |   |        |                  |          |       |       |          |       |        |          |        |       |         |       |       |                 |       |              |                        |
| 1 PLACE   | ± 0.3  | ± ---   |   |        |                  |          |       |       |          |       |        |          |        |       |         |       |       |                 |       |              |                        |
|   | MM/IN  | 3:2   | INCH  |        |                  |          |       |       |          |       |        |          |        |       |         |       |       |                 |       |              |                        |
|   | DRAWN BY DATE<br>GHR 2000/09/13<br>CHECKED BY DATE<br>R. KEMP 2002/09/13<br>APPROVED BY DATE<br>L. ROTHHAUS 2002/09/27 | TITLE   | SR BTS 6 AWG, 600V 60A                          |        |                  |          |       |       |          |       |        |          |        |       |         |       |       |                 |       |              |                        |
|   | DRAFT WHERE APPLICABLE MUST REMAIN WITHIN DIMENSIONS   | SEE SHT. 2  | MOLEX INCORPORATED<br>DOCUMENT NO. SD-39910-001 |        | SHEET NO. 1 OF 2 |          |       |       |          |       |        |          |        |       |         |       |       |                 |       |              |                        |

| NO. OF CIRCUITS | DIM. "A" |      | DIM. "B" |       | MATERIAL NUMBER |                      |                      |                        |                                      |                                      |                                |
|-----------------|----------|------|----------|-------|-----------------|----------------------|----------------------|------------------------|--------------------------------------|--------------------------------------|--------------------------------|
|                 | mm       | in   | mm       | in    | STANDARD        | OPTIONAL 10A IMPRINT | OPTIONAL 11A IMPRINT | OPTIONAL SLOTTED SCREW | OPTIONAL SLOTTED SCREW W/10A IMPRINT | OPTIONAL SLOTTED SCREW W/11A IMPRINT | OPTIONAL STAINLESS STEEL SCREW |
|                 | 02       | 21.8 | 0.86     | 10.16 | 0.400           | 399100102            | 399120102            | 399130102              | 399100402                            | 399120402                            | 399130402                      |
| 03              | 32.0     | 1.26 | 20.32    | 0.800 | 399100103       | 399120103            | 399130103            | 399100403              | 399120403                            | 399130403                            | 399100703                      |
| 04              | 42.2     | 1.66 | 30.48    | 1.200 | 399100104       | 399120104            | 399130104            | 399100404              | 399120404                            | 399130404                            | 399100704                      |
| 05              | 52.3     | 2.06 | 40.64    | 1.600 | 399100105       | 399120105            | 399130105            | 399100405              | 399120405                            | 399130405                            | 399100705                      |
| 06              | 62.5     | 2.46 | 50.80    | 2.000 | 399100106       | 399120106            | 399130106            | 399100406              | 399120406                            | 399130406                            | 399100706                      |
| 07              | 72.6     | 2.86 | 60.96    | 2.400 | 399100107       | 399120107            | 399130107            | 399100407              | 399120407                            | 399130407                            | 399100707                      |
| 08              | 82.8     | 3.26 | 71.12    | 2.800 | 399100108       | 399120108            | 399130108            | 399100408              | 399120408                            | 399130408                            | 399100708                      |
| 09              | 93.0     | 3.66 | 81.28    | 3.200 | 399100109       | 399120109            | 399130109            | 399100409              | 399120409                            | 399130409                            | 399100709                      |
| 10              | 103.1    | 4.06 | 91.44    | 3.600 | 399100110       | 399120110            | 399130110            | 399100410              | 399120410                            | 399130410                            | 399100710                      |
| 11              | 113.3    | 4.46 | 101.60   | 4.000 | 399100111       | 399120111            | 399130111            | 399100411              | 399120411                            | 399130411                            | 399100711                      |
| 12              | 123.4    | 4.86 | 111.76   | 4.400 | 399100112       | 399120112            | 399130112            | 399100412              | 399120412                            | 399130412                            | 399100712                      |
| 13              | 133.6    | 5.26 | 121.92   | 4.800 | 399100113       | 399120113            | 399130113            | 399100413              | 399120413                            | 399130413                            | 399100713                      |
| 14              | 143.8    | 5.66 | 132.08   | 5.200 | 399100114       | 399120114            | 399130114            | 399100414              | 399120414                            | 399130414                            | 399100714                      |

|   |   |  |  |  |                                 |
|---|---|--|--|--|---------------------------------|
| SEE SHEET 1<br>EC NO: IPG2013-1881<br>IT<br>DRWN: JENCINAS 2013/09/19<br>CHKD: JMAGNEIL 2013/09/19<br>APPR: JMAGNEIL 2013/09/24 | QUALITY SYMBOLS<br>▽=0<br>▽7=0  | GENERAL TOLERANCES (UNLESS SPECIFIED)<br>mm INCH<br>4 PLACES ± --- ± ---<br>3 PLACES ± --- ± .005<br>2 PLACES ± 0.13 ± .01<br>1 PLACE ± 0.3 ± ---<br>ANGULAR ± 2 ° | DIMENSION STYLE<br>MM/IN<br>DRAWN BY DATE<br>GHR 2000/09/13<br>CHECKED BY DATE<br>R. KEMP 2002/09/13<br>APPROVED BY DATE<br>L. ROTHMAUS 2002/09/27 | SCALE<br>3:2<br>DESIGN UNITS<br>INCH<br>THIRD ANGLE PROJECTION | TITLE<br>SR BTS 6 AWG, 600V 60A |
|   | DRAFT WHERE APPLICABLE MUST REMAIN WITHIN DIMENSIONS  | MATERIAL NO.<br>SEE CHART  | MOLEX INCORPORATED   | DOCUMENT NO.<br>SD-39910-001                                   | SHEET NO.<br>2 OF 2             |
|   | THIS DRAWING CONTAINS INFORMATION THAT IS PROPRIETARY TO MOLEX INCORPORATED AND SHOULD NOT BE USED WITHOUT WRITTEN PERMISSION |  |  |  |                                 |
|   | SIZE B  |  |  |  |                                 |
|   | THIS DRAWING CONTAINS INFORMATION THAT IS PROPRIETARY TO MOLEX INCORPORATED AND SHOULD NOT BE USED WITHOUT WRITTEN PERMISSION |  |  |  |                                 |