



Chipsmall Limited consists of a professional team with an average of over 10 year of expertise in the distribution of electronic components. Based in Hongkong, we have already established firm and mutual-benefit business relationships with customers from,Europe,America and south Asia,supplying obsolete and hard-to-find components to meet their specific needs.

With the principle of "Quality Parts,Customers Priority,Honest Operation,and Considerate Service",our business mainly focus on the distribution of electronic components. Line cards we deal with include Microchip,ALPS,ROHM,Xilinx,Pulse,ON,Everlight and Freescale. Main products comprise IC,Modules,Potentiometer,IC Socket,Relay,Connector.Our parts cover such applications as commercial,industrial, and automotives areas.

We are looking forward to setting up business relationship with you and hope to provide you with the best service and solution. Let us make a better world for our industry!



Contact us

Tel: +86-755-8981 8866 Fax: +86-755-8427 6832

Email & Skype: info@chipsmall.com Web: www.chipsmall.com

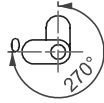
Address: A1208, Overseas Decoration Building, #122 Zhenhua RD., Futian, Shenzhen, China



LEAF HINGE | VERSION 3, 4



Hinge Rotation Angle



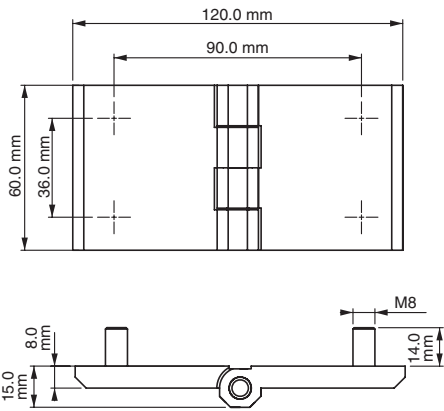
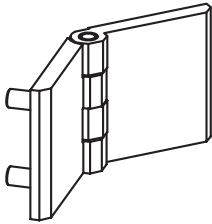
Specifications

- Material:
Body: Zinc Alloy (Zamak) DIN-EN 1774-ZnAl4Cu1
Pin: Stainless Steel
- Available in three sizes, hole or stud installation:
– 60 mm x 60 mm
– 60 mm x 90 mm
– 60 mm x 120 mm

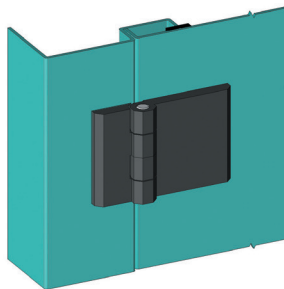
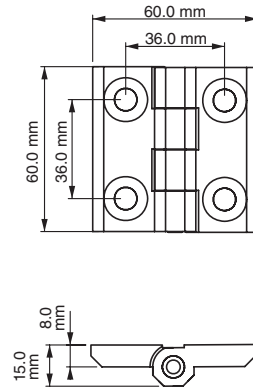
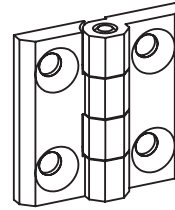
Features

- Generally used for plain / flush-mounted, isolated heavy doors
- Stud versions fitted with M8 x 14 mm threaded stud
- Stainless steel (AISI 304) hinge pin
- Applications: Generators, machinery covers, electric panels

Version 3



Version 4



Item Number	Hinge Rotation	Material	Finish	Version
399-1-1-3	270°	Zinc Alloy	Chrome	3
399-1-1-4	270°	Zinc Alloy	Chrome	4
399-1-2-3	270°	Zinc Alloy	Black	3
399-1-2-4	270°	Zinc Alloy	Black	4