



Chipsmall Limited consists of a professional team with an average of over 10 year of expertise in the distribution of electronic components. Based in Hongkong, we have already established firm and mutual-benefit business relationships with customers from,Europe,America and south Asia,supplying obsolete and hard-to-find components to meet their specific needs.

With the principle of “Quality Parts,Customers Priority,Honest Operation,and Considerate Service”,our business mainly focus on the distribution of electronic components. Line cards we deal with include Microchip,ALPS,ROHM,Xilinx,Pulse,ON,Everlight and Freescale. Main products comprise IC,Modules,Potentiometer,IC Socket,Relay,Connector.Our parts cover such applications as commercial,industrial, and automotives areas.

We are looking forward to setting up business relationship with you and hope to provide you with the best service and solution. Let us make a better world for our industry!



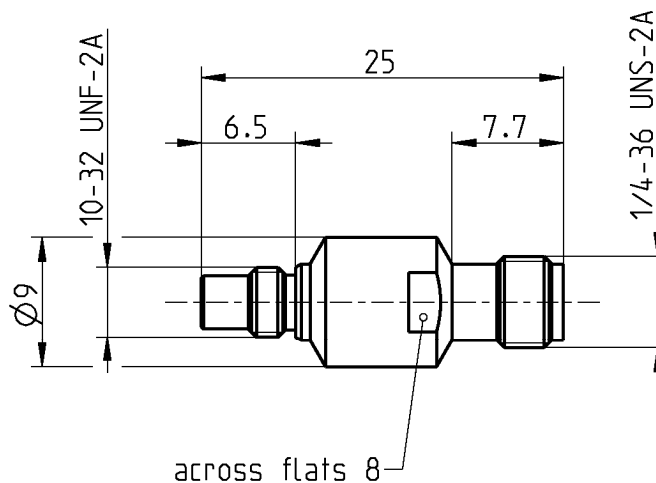
## Contact us

Tel: +86-755-8981 8866 Fax: +86-755-8427 6832

Email & Skype: info@chipsmall.com Web: www.chipsmall.com

Address: A1208, Overseas Decoration Building, #122 Zhenhua RD., Futian, Shenzhen, China





All dimensions are in mm; tolerances according to ISO 2768 m-H

**Interface**

According to SMC side: IEC 60169-9, CECC 22140, US MIL-C-39012  
SMA side: IEC 60169-15; EN 122110; MIL-STD-348A, Fig. 310

**Documents**

N/A

**Material and plating**

**Connector parts**

Center contact  
Outer contact SMC side  
Outer contact SMA side  
Dielectric

**Material**

Beryllium copper  
Brass  
Beryllium copper or equivalent  
PTFE

**Plating**

Auro Dur, gold plated  
Auro Dur, gold plated  
Auro Dur, gold plated

**Electrical data**

Impedance	50 Ω
Frequency	DC to 6 GHz
Return loss	≥ 35 dB, DC to 1 GHz ≥ 30 dB, 1 to 3 GHz ≥ 20 dB, 3 to 6 GHz
Insertion loss	≤ 0.05 × √f(GHz) dB
Insulation resistance	≥ 1×10 <sup>3</sup> MΩ
Center contact resistance	≤ 5 mΩ, SMC side      ≤ 3 mΩ, SMA side
Outer contact resistance	≤ 2.5 mΩ, SMC side      ≤ 2 mΩ, SMA side
Test voltage	750 V rms, 50 Hz, at sea level
Working voltage	≤ 250 V rms, 50 Hz, at sea level
RF-leakage	≥ 90 dB up to 1 GHz

**Mechanical data**

	SMC side	SMA side
Mating cycles	min. 500	min. 500
Coupling test torque	max. 0.71 Nm	max. 1.7 Nm
Recommended torque	0.25 Nm to 0.35 Nm	0.8 Nm to 1.1 Nm
Center contact captivation: axial	≥ 10 N	≥ 10 N

**Environmental data**

Temperature range	-55°C to +155°C
Thermal shock	MIL-STD-202, Meth. 107, Cond. B
Vibration	MIL-STD-202, Meth. 204, Cond. D
Moisture resistance	MIL-STD-202, Meth. 106
Corrosion	MIL-STD-202, Meth. 101, Cond B
RoHS	compliant

**Tooling**

N/A

**Suitable cables**

N/A

**Weight**

Weight 5.2 g/pce

While the information has been carefully compiled to the best of our knowledge, nothing is intended as representation or warranty on our part and no statement herein shall be construed as recommendation to infringe existing patents. In the effort to improve our products, we reserve the right to make changes judged to be necessary.

Draft	Date	Approved	Date	Rev.	Engineering change number	Name	Date
Inge Mühlauer	21/12/04	Sa. Krautenbacher	17.03.14	e00	14-0352	T. Krojer	17.03.14
Rosenberger Hochfrequenztechnik GmbH & Co. KG P.O.Box 1260 D-84526 Tittmoning Germany <a href="http://www.rosenberger.de">www.rosenberger.de</a>					Tel.: +49 8684 18-0 Fax: +49 8684 18-499 email: <a href="mailto:info@rosenberger.de">info@rosenberger.de</a>		Page 2 / 2