



Chipsmall Limited consists of a professional team with an average of over 10 year of expertise in the distribution of electronic components. Based in Hongkong, we have already established firm and mutual-benefit business relationships with customers from,Europe,America and south Asia,supplying obsolete and hard-to-find components to meet their specific needs.

With the principle of “Quality Parts,Customers Priority,Honest Operation,and Considerate Service”,our business mainly focus on the distribution of electronic components. Line cards we deal with include Microchip,ALPS,ROHM,Xilinx,Pulse,ON,Everlight and Freescale. Main products comprise IC,Modules,Potentiometer,IC Socket,Relay,Connector.Our parts cover such applications as commercial,industrial, and automotives areas.

We are looking forward to setting up business relationship with you and hope to provide you with the best service and solution. Let us make a better world for our industry!



Contact us

Tel: +86-755-8981 8866 Fax: +86-755-8427 6832

Email & Skype: info@chipsmall.com Web: www.chipsmall.com

Address: A1208, Overseas Decoration Building, #122 Zhenhua RD., Futian, Shenzhen, China



DESCRIPTION APP'D./DATE REV
L. Westoby 11-19-91 0

SAFETY ORGANIZATION(S):

THIS FILTER HAS BEEN FORMALLY RECOGNIZED, CERTIFIED OR APPROVED BY THE LISTED AGENCY, THEREFORE, ALL TEST/REQUIREMENTS SPECIFIED IN THE LATEST REVISION OF THE FOLLOWING AGENCY STANDARDS HAVE BEEN MET.

- UL 544
- CSA 22.2, NO. 0, 0.4, 8
- VDE APPROVED (PENDING)

OPERATING SPECIFICATIONS:

- LINE VOLTAGE/CURRENT: 3 AMP., 120/250 VAC
- LINE FREQUENCY: 3 AMP./40°C, 250 VAC 50-60Hz
- MAX. CASE RISE & RATED CURRENT: 30°C
- MAX. LEAKAGE CURRENT, EACH LINE TO GROUND: 2µA at 120V 60 Hz
- OPERATING AMBIENT TEMP. RANGE: 5µA at 250V 50 Hz
- IN AN AMBIENT, T_a , HIGHER THAN 40°C, THE MAXIMUM OPERATING CURRENT, I_o , IS AS FOLLOWS:

$$I_o = I_r \sqrt{\frac{85 - T_a}{45}}$$

RELIABILITY SPECIFICATIONS:

- STORAGE TEMPERATURE: -40°C TO +85°C
- HUMIDITY: 21 DAYS @ 40°C 95% RH
- CURRENT OVERLOAD TEST: 6 TIMES RATED CURRENT FOR 8 SECONDS

TEST SPECIFICATIONS:

- INDUCTANCE: 1.0 mH NOMINAL
- CAPACITANCE, (MEASURED @ 1 KHz, 0.25 VAC MAX., 25°C ±1°C) LINE TO LINE: .01µF ±20%

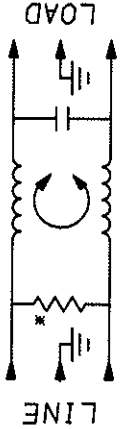
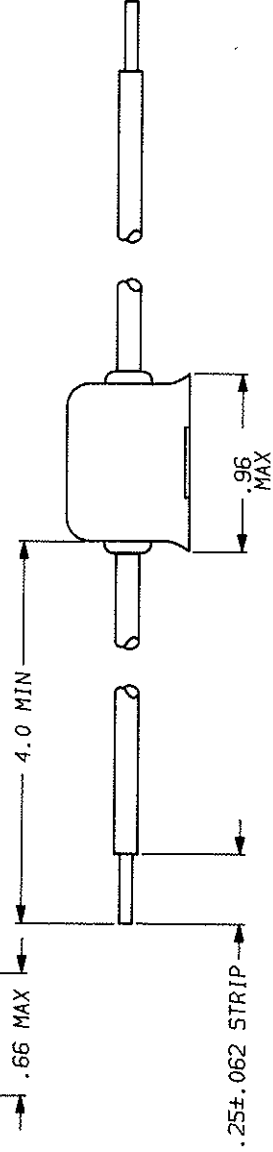
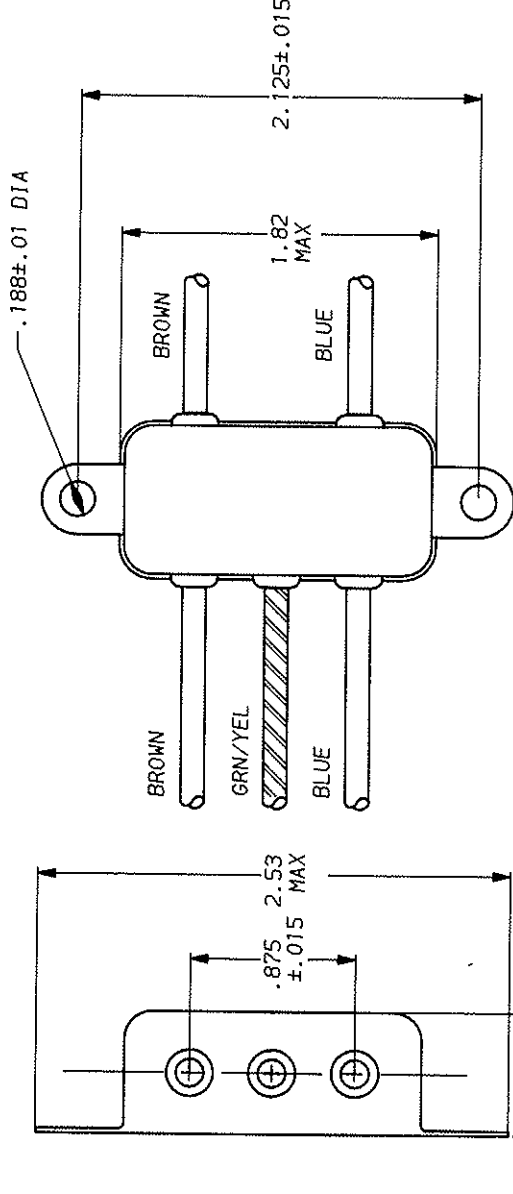
- DISCHARGE RESISTOR, LINE/GROUND AND LINE/LINE: 1.5 MΩ
- INSULATION RESISTANCE (W/O DISCHARGE RESISTOR): 6000 MΩ (MIN) AT 100 VDC
- 20°C AND 50% RH

RECOMMENDED RECEIVING INSPECTION HIPOTI:

- LINES TO GROUND: 2250 VDC FOR 1 MINUTE
- LINE TO LINE: 1450 VDC FOR 1 MINUTE

FILTER APPROVAL:

THE BEST WAY TO SELECT AND QUALIFY A FILTER IS FOR YOUR ENGINEERING TO TEST THE UNIT IN YOUR EQUIPMENT.



50m - 50m (MINIMUM) INSERTION LOSS

FREQUENCY MHz	.15	.5	1.0	5.0	10	20	30
COMMON dB	18	27	30	30	27	21	18

This document is proprietary to CORCOM INC. and is not to be reproduced nor used for manufacturing purposes except on CORCOM'S order or prior written consent.



LIBERTYVILLE, IL 60048

POWER LINE FILTER

AS SUPPLIED

AS SUPPLIED

SCALE	DATE	ORG. NO.	REV.
NTS	11-19-91		3EH3.00
REV. BY	DATE	CFW	CFW

*RESISTOR ADDED TO PRODUCT BUILT AFTER 3-30-92 (9212).