



Chipsmall Limited consists of a professional team with an average of over 10 year of expertise in the distribution of electronic components. Based in Hongkong, we have already established firm and mutual-benefit business relationships with customers from,Europe,America and south Asia,supplying obsolete and hard-to-find components to meet their specific needs.

With the principle of “Quality Parts,Customers Priority,Honest Operation,and Considerate Service”,our business mainly focus on the distribution of electronic components. Line cards we deal with include Microchip,ALPS,ROHM,Xilinx,Pulse,ON,Everlight and Freescale. Main products comprise IC,Modules,Potentiometer,IC Socket,Relay,Connector.Our parts cover such applications as commercial,industrial, and automotives areas.

We are looking forward to setting up business relationship with you and hope to provide you with the best service and solution. Let us make a better world for our industry!



Contact us

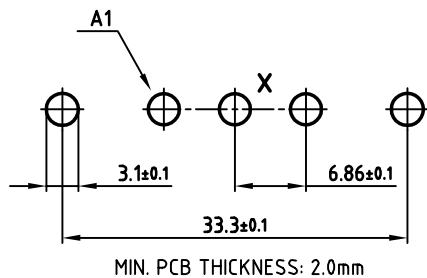
Tel: +86-755-8981 8866 Fax: +86-755-8427 6832

Email & Skype: info@chipsmall.com Web: www.chipsmall.com

Address: A1208, Overseas Decoration Building, #122 Zhenhua RD., Futian, Shenzhen, China



used for: D-SUB FILTER COMBINATION



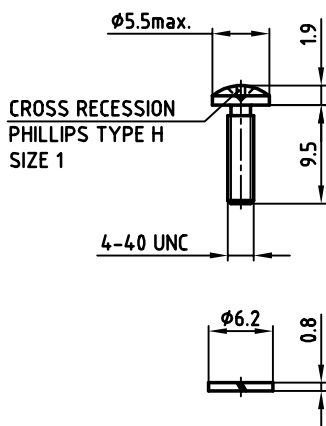
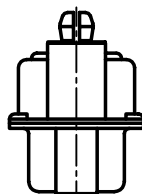
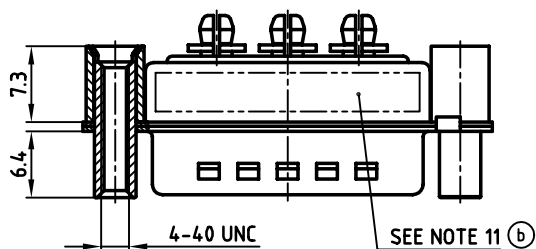
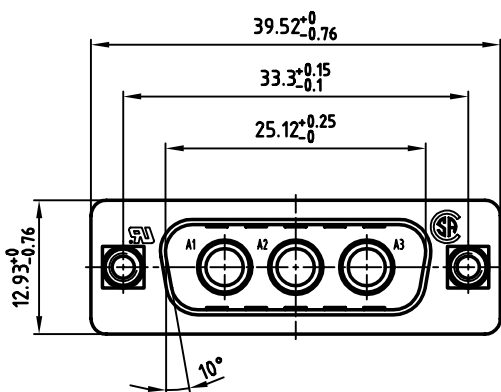
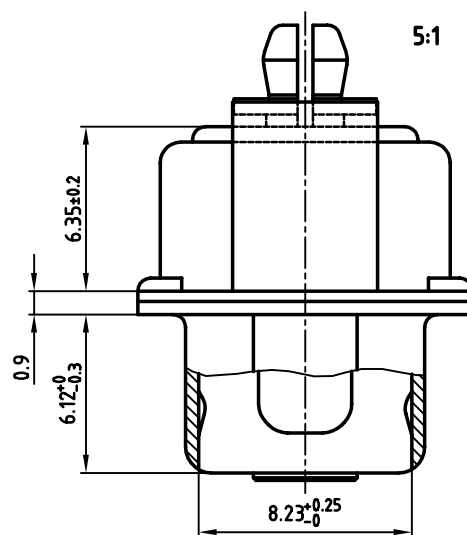
Copper thickness
25µm minimum

Tin thickness
15µm maximum

X 5:1

Finished hole
3.111 max.
2.959 min.

P.C.B. HOLE DRILLINGS



(b) INCLUDED IN DELIVERY: 2 x SCREW
2 x WASHER

NOTES:

1. METALSHELLS: STEEL; min. 320µ" TIN
2. INSULATORS: PBT GF UL 94 V-0, BLACK
3. HIGH POWER PRESS-FIT CONTACTS 30A: COPPER ALLOY
PCB HOLE ϕ 3.111 max. / ϕ 2.959 min.
PCB-THICKNESS min. 2mm
PLATING-MATING SIDE: min. 30µ" HARD GOLD OVER min. 50µ" NICKEL
PLATING-REAR SIDE: min. 80µ" TIN OVER min. 50µ" NICKEL
4. THREADED REAR SPACER/FRONT THREADED LOCK:
COPPER ALLOY; min. 200µ" TIN over 80µ" NICKEL
5. SLEEVE: COPPER ALLOY; min. 200µ" TIN over 80µ" NICKEL
- (b) 6. SCREW: STEEL, NICKEL PLATED
7. SPRING RING: STEEL, NICKEL PLATED
8. CAPACITANCE: 100nF \pm 20%
9. DIELECTRIC WITHSTANDING VOLTAGE: 707 VDC
10. MAXIMUM TORQUE VALUE FOR THREAD: 6" LBS
11. CONNECTOR IS PART MARKED: 3F3SPC28SP1S90B CONEC Y/WW
12. = CHECK DIMENSION

APPROVAL * FREIGABE * DEBLOCAGE * AUTORIZACION * APPROVAL

CUSTOMER APPROVAL DATE:

NAME: TITLE:

COMPANY NAME:

APPROVAL * FREIGABE * DEBLOCAGE * AUTORIZACION * APPROVAL

THIS DRAWING MAY NOT BE COPIED OR REPRODUCED IN ANY WAY, AND MAY NOT BE PASSED ON TO A THIRD PARTY, WITHOUT WRITTEN PERMISSION. OWNERSHIP AND COPYRIGHT OF CONEC Gmbh DO NOT ALTER CAD DRAWING BY HAND

rev.	description	date	name
3 x b	Ä 1904	18.12.2003	Lehmen

tolerance	dim. in mm
2003	date
drawn	09.12. Lehmenkühler
appd.	09.12. Mickenbecker
norm	
d-old	

scale: 2:1 (5:1)

material: SEE NOTES

title: D-SUB FILTER COMBINATION MALE
3W3P
threaded rear spacer, front threaded lock

dwg no: AutoCAD 2000 DIN-A
24K1A492 3 sh:1/1

part no: 3F3SPC28SP1S90B