



Chipsmall Limited consists of a professional team with an average of over 10 year of expertise in the distribution of electronic components. Based in Hongkong, we have already established firm and mutual-benefit business relationships with customers from,Europe,America and south Asia,supplying obsolete and hard-to-find components to meet their specific needs.

With the principle of “Quality Parts,Customers Priority,Honest Operation,and Considerate Service”,our business mainly focus on the distribution of electronic components. Line cards we deal with include Microchip,ALPS,ROHM,Xilinx,Pulse,ON,Everlight and Freescale. Main products comprise IC,Modules,Potentiometer,IC Socket,Relay,Connector.Our parts cover such applications as commercial,industrial, and automotives areas.

We are looking forward to setting up business relationship with you and hope to provide you with the best service and solution. Let us make a better world for our industry!



## Contact us

Tel: +86-755-8981 8866 Fax: +86-755-8427 6832

Email & Skype: info@chipsmall.com Web: www.chipsmall.com

Address: A1208, Overseas Decoration Building, #122 Zhenhua RD., Futian, Shenzhen, China



NOTES:

1. MATERIALS AND FINISH (IN MICRO-INCHES)

- BODY = ZINC DIECAST (PER ASTM B86, UNS Z33520), MATTE TIN PL. 100 MIN. THICK OVER NICKEL PL. 100 MIN. THICK OVER COPPER PL.(250 MIN./300 MAX.) THICK
- INSULATOR = PTFE PER ASTM D1710, COLOR: NATURAL
- HOUSING = PPE+PS, COLOR: PER TABLE
- FERRULE = COPPER (PER ASTM B75, UNS C11000 OR C12200) NICKEL PL. 100 MIN. THICK OVER COPPER STRIKE

CONTACT SUPPLIED SEPARATELY AS P/N: FKCP03301A (5,000 PCS. REEL)  
 FERRULE MAY BE PURCHASED SEPARATELY AS P/N: 923-10168 (100 PCS. TRAY)  
 CABLE DEFINITIONS PER AMPHENOL REPORT DE825

2. ELECTRICAL:

- A. IMPEDANCE: 50 OHM, NOMINAL
- B. FREQUENCY RANGE: DC-3.0 GHz
- C. VSWR(RETURN LOSS): 1.400 (-15.6dB) MAX.(DC-2.0 GHz) (MATED PAIR) 1.500 (-13.9dB) MAX.(2.0-3.0 GHz)
- D. DIELECTRIC WITHSTANDING VOLTAGE: 800 VRMS, MIN.

3. MECHANICAL:

- A. DURABILITY: 100 CYCLES MIN.
- B. TEMPERATURE RANGE: -40° C TO 85° C
- C. USCAR-17 COMPLIANT
- D. INTERFACE PER DIN 72594-1

4. PACKAGING:

- A. QUANTITY: TRAY PACK
- B. MARKING: TRAY TO BE MARKED "AMPHENOL,3FAI-NXSJ-COIWO, AND DATE CODE"

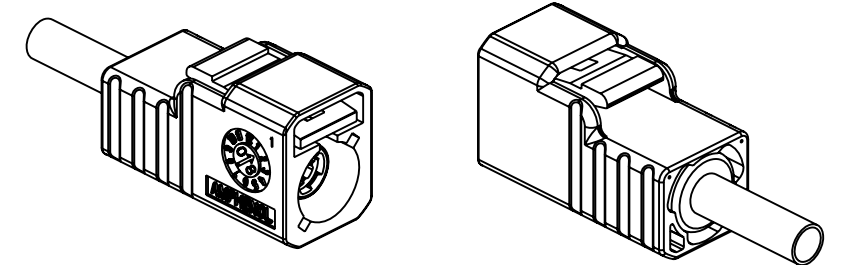
5. CABLE ASSEMBLY INSTRUCTIONS PER 349-50801

THIRD ANGLE PROJ.

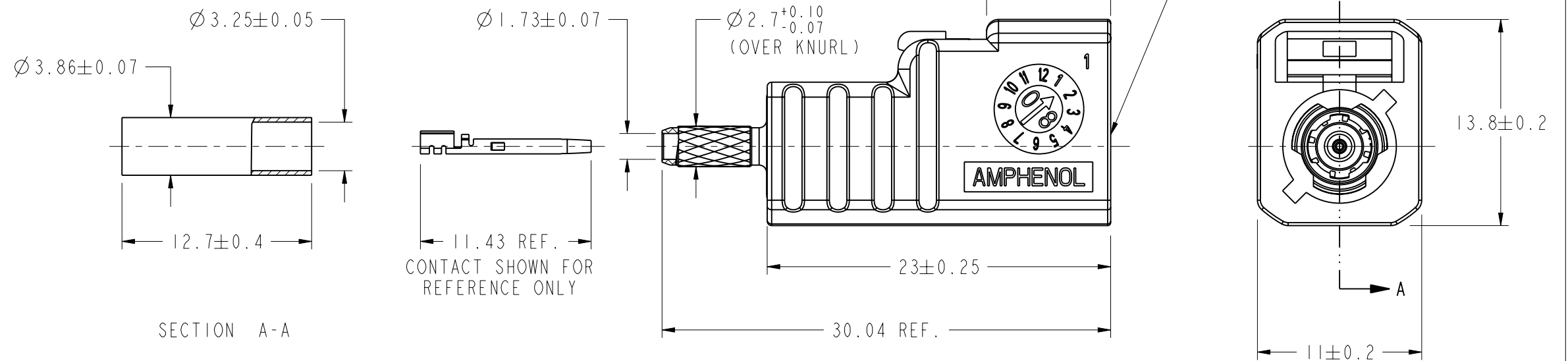
REVISIONS

| REV | DESCRIPTION     | DATE      | ECO   | APPR |
|-----|-----------------|-----------|-------|------|
| A   | RELEASE TO MFG. | 29-Dec-09 | ----- | SH   |

**CONFIGURATION CONTROL:  
 NO CHANGES PERMITTED TO DRAWING WITHOUT  
 PPAP QUALIFIED CUSTOMER APPROVAL**



SCALE 1.500



SEE TABLE FOR  
 PART NUMBER, COLOR,  
 AND KEY CODING

- "C" KEYING SHOWN -

| CODING | DRAWING NO.     | COLOR          | RAL NO. |
|--------|-----------------|----------------|---------|
| A      | 3FAI-NASJ-COIWO | JET BLACK      | 9005    |
| B      | 3FAI-NBSJ-COIWO | CREAM          | 9001    |
| C      | 3FAI-NCSJ-COIWO | SIGNAL BLUE    | 5005    |
| D      | 3FAI-NDSJ-COIWO | CLARET VIOLET  | 4004    |
| E      | 3FAI-NESJ-COIWO | LEAF GREEN     | 6002    |
| F      | 3FAI-NFSJ-COIWO | NUT BROWN      | 8011    |
| G      | 3FAI-NGSJ-COIWO | BLUE GREY      | 7031    |
| H      | 3FAI-NHSJ-COIWO | HEATHER VIOLET | 4003    |
| I      | 3FAI-NISJ-COIWO | BEIGE          | 1001    |
| K      | 3FAI-NKSJ-COIWO | CURRY          | 1027    |
| L      | 3FAI-NLSJ-COIWO | CARMINE RED    | 3002    |
| M      | 3FAI-NMSJ-COIWO | PASTEL ORANGE  | 2003    |
| N      | 3FAI-NNSJ-COIWO | PASTEL GREEN   | 6019    |
| Z      | 3FAI-NZSJ-COIWO | WATER BLUE     | 5021    |

**CUSTOMER OUTLINE DRAWING**

ALL OTHER SHEETS ARE FOR INTERNAL USE ONLY

|  |                                |                            |                   |  |          |   |                             |
|--|--------------------------------|----------------------------|-------------------|--|----------|---|-----------------------------|
| UNLESS OTHERWISE SPECIFIED, DIMENSIONS ARE IN METRIC AND TOLERANCES ARE:<br><0.5mm ±0.05mm    0.5 - 6mm ±0.1mm    6 - 30mm ±0.2mm    30 - 120mm ±0.3mm    ANGLES ±1° | MATERIAL                       | DRAWN<br>A.LIU             | DATE<br>23-Sep-08 | TITLE<br>GEN 3.0 FAKRA JACK,<br>COI CABLE GROUP,<br>TAPE AND REEL CONTACT<br>(SUPPLIED SEPARATELY) |          | <b>Amphenol RF</b><br>Danbury CT USA, Tainan, Taiwan, Shenzhen, China<br>www.amphenolrf.com |                             |
|  | REFERENCE<br>EAR # 2865    AND | ENGINEER<br>J.YANG         | DATE<br>23-Sep-08 | SCALE: 3.0:1.0   SHEET 2 OF 2  |          |   | DRAWING NO. 3FAI-NXSJ-COIWO |
|  | CONFIGURATION LEVEL: RELEASE   | APPROVED<br>B.C. GLEISSNER | DATE<br>23-Sep-08 | DWG SIZE<br>B  | REV<br>A |   | ITEM NO. 3FAI-NXSJ-COIWO    |
|  | FINISH                         | I:\FAKRA\3FAI-NXSJ-COIWO   |                   |  |          |   | PART NO. 3FAI-NXSJ-COIWO    |