



Chipsmall Limited consists of a professional team with an average of over 10 year of expertise in the distribution of electronic components. Based in Hongkong, we have already established firm and mutual-benefit business relationships with customers from,Europe,America and south Asia,supplying obsolete and hard-to-find components to meet their specific needs.

With the principle of “Quality Parts,Customers Priority,Honest Operation,and Considerate Service”,our business mainly focus on the distribution of electronic components. Line cards we deal with include Microchip,ALPS,ROHM,Xilinx,Pulse,ON,Everlight and Freescale. Main products comprise IC,Modules,Potentiometer,IC Socket,Relay,Connector.Our parts cover such applications as commercial,industrial, and automotives areas.

We are looking forward to setting up business relationship with you and hope to provide you with the best service and solution. Let us make a better world for our industry!



Contact us

Tel: +86-755-8981 8866 Fax: +86-755-8427 6832

Email & Skype: info@chipsmall.com Web: www.chipsmall.com

Address: A1208, Overseas Decoration Building, #122 Zhenhua RD., Futian, Shenzhen, China



NOTES:

1. MATERIALS AND FINISH (IN MICRO-INCHES)

- BODY = ZINC DIECAST (PER ASTM B86), MATTE TIN PL.
- INSULATOR = PTFE PER ASTM D1710, COLOR: NATURAL
- HOUSING = PPE+PS, COLOR:PER TABLE
- FERRULE = COPPER (PER ASTM B75),NICKEL PL.
- O-RING = SILICONE RUBBER, COLOR: RED
- SHRINK TUBING = POLYOLEFIN, ADHESIVE LINED, COLOR: BLACK
- CONTACT SUPPLIED SEPARATELY AS P/N: FKCP08402 (5,000 PCS. REEL)
- CABLE DEFINITIONS PER AMPHENOL REPORT DE825

2. ELECTRICAL:

- A. IMPEDANCE: 50 OHM, NOMINAL
- B. FREQUENCY RANGE: DC-3.0 GHz
- C. VSWR(RETURN LOSS): 1.200 (-20.8dB) MAX.(DC-200 MHz)
- (MATED PAIR) 1.400 (-15.6dB) MAX.(200 MHz-2.0 GHz)
- 1.500 (-13.9dB) MAX.(2.0-3.0 GHz)
- D. D.W.V.: 800 VRMS, MIN.

3. MECHANICAL:

- A. DURABILITY: 100 CYCLES MIN.
- B. TEMPERATURE RANGE: -40° C TO 85° C
- C. USCAR-17 COMPLIANT
- D. INTERFACE PER DIN 72594-1
- E. ENVIRONMENTAL SEAL (WHEN MATED): IP67

4. PACKAGING:

- A. QUANTITY: TRAY PACK
- B. MARKING: TRAY TO BE MARKED
"AMPHENOL RF, 3FAIENXSJ-COIES, AND DATE CODE"

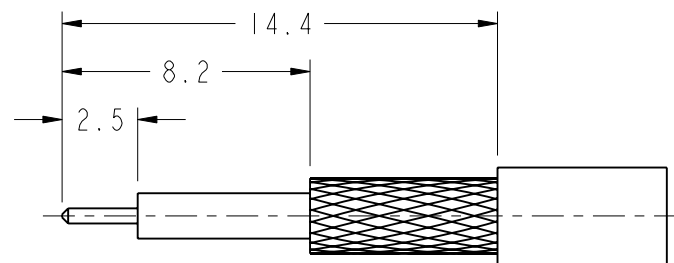
5. CABLE ASSEMBLY INSTRUCTIONS PER 349-50910

THIRD ANGLE PROJ.

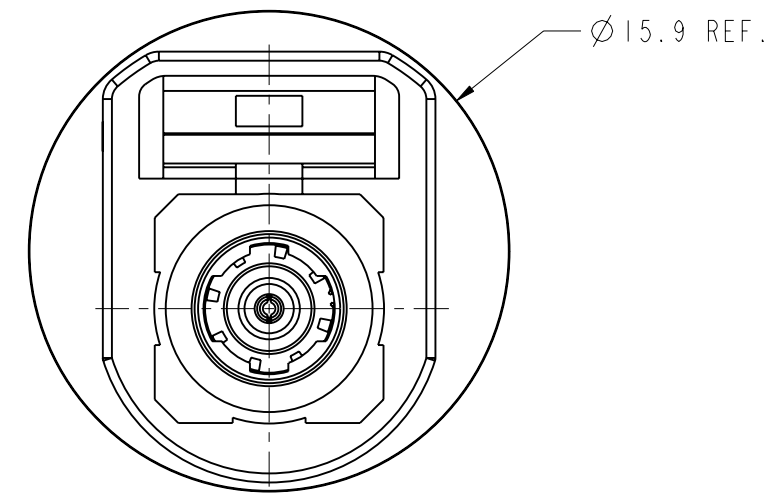
REVISIONS

REV	DESCRIPTION	DATE	ECO	APPR
A	RELEASE TO MFG.	24-Jun-16	01022	RS

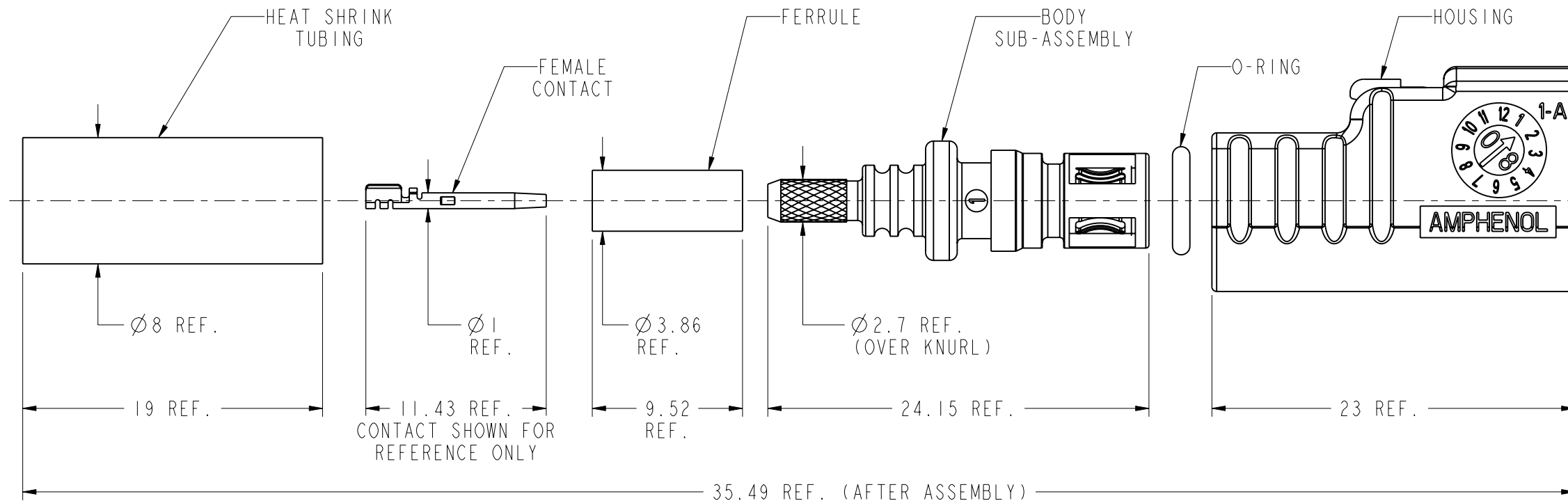
CONFIGURATION CONTROL:
NO CHANGES PERMITTED TO DRAWING WITHOUT
PPAP QUALIFIED CUSTOMER APPROVAL



**RECOMMENDED
CABLE STRIPPING DIMENSIONS**



Ø 15.9mm CLEARANCE
SCALE 4.000



CODING	DRAWING NO.	COLOR	RAL NO.
A	3FAIENASJ-COIES	JET BLACK	9005
B	3FAIENBSJ-COIES	CREAM	9001
C	3FAIENCSJ-COIES	SIGNAL BLUE	5005
D	3FAIENDSJ-COIES	CLARET VIOLET	4004
E	3FAIENESJ-COIES	LEAF GREEN	6002
F	3FAIENFSJ-COIES	NUT BROWN	8011
G	3FAIENG SJ-COIES	BLUE GREY	7031
H	3FAIENHSJ-COIES	HEATHER VIOLET	4003
I	3FAIENISJ-COIES	BEIGE	1001
K	3FAIENKSJ-COIES	CURRY	1027
L	3FAIENLSJ-COIES	CARMINE RED	3002
M	3FAIENMSJ-COIES	PASTEL ORANGE	2003
N	3FAIENNSJ-COIES	PASTEL GREEN	6019
Z	3FAIENZSJ-COIES	WATER BLUE	5021

CUSTOMER OUTLINE DRAWING

ALL OTHER SHEETS ARE FOR INTERNAL USE ONLY

UNLESS OTHERWISE SPECIFIED, DIMENSIONS ARE IN METRIC AND TOLERANCES ARE: <0.5mm ± 0.05mm 0.5 - 6mm ± 0.1mm 6 - 30mm ± 0.2mm 30 - 120mm ± 0.3mm ANGLES ± 1°	MATERIAL	DRAWN H. CHEN	DATE 24-Jun-16	TITLE GEN 3.5 FAKRA JACK, COI CABLE GROUP, IP67 SEALED TAPE AND REEL CONTACT (SUPPLIED SEPARATELY)	Amphenol RF Danbury CT USA, Tainan, Taiwan, Shenzhen, China www.amphenolrf.com
	REFERENCE EAR # 6633 AND CONFIGURATION LEVEL: RELEASE	ENGINEER E. WANKOFF	DATE 24-Jun-16		
NOTICE - These drawings, specifications, or other data (1) are, and remain the property of Amphenol corp. (2) must be returned upon request; and (3) are confidential and not to be disclosed to any person other than those to whom they are given by Amphenol Corp. the finishing of these drawings, specifications, or other data by Amphenol Corp., or to any other person to anyone for any purpose is not to be regarded by implication or otherwise in any manner licensing, granting rights to permitting such holder or any other person to manufacture, use or sell any product, process or design, patented or otherwise, that may in any way be related to or disclosed by said drawings, specifications, or other data.	FINISH	APPROVED S. HSIEH	DATE 24-Jun-16	DWG SIZE B	REV A