



Chipsmall Limited consists of a professional team with an average of over 10 year of expertise in the distribution of electronic components. Based in Hongkong, we have already established firm and mutual-benefit business relationships with customers from,Europe,America and south Asia,supplying obsolete and hard-to-find components to meet their specific needs.

With the principle of “Quality Parts,Customers Priority,Honest Operation,and Considerate Service”,our business mainly focus on the distribution of electronic components. Line cards we deal with include Microchip,ALPS,ROHM,Xilinx,Pulse,ON,Everlight and Freescale. Main products comprise IC,Modules,Potentiometer,IC Socket,Relay,Connector.Our parts cover such applications as commercial,industrial, and automotives areas.

We are looking forward to setting up business relationship with you and hope to provide you with the best service and solution. Let us make a better world for our industry!



## Contact us

Tel: +86-755-8981 8866 Fax: +86-755-8427 6832

Email & Skype: info@chipsmall.com Web: www.chipsmall.com

Address: A1208, Overseas Decoration Building, #122 Zhenhua RD., Futian, Shenzhen, China





# THREE FLANGE DUAL PRIMARY 6.0VA PC BOARD POWER TRANSFORMER

## REV. Status

- REVISION - 07/23/96 TS
- REVISION A REFORMATTED 07/14/97 TS
- REVISION B CHANGED A.7. 08/23/99 TS
- REVISION C ADDED RoHS 01/10/06 MP

### A. Electrical Specifications (@ 25°C)

- Maximum Power: 6.0 VA
- Input Voltage and Frequency: 115/230V 50/60 Hz
- Secondary Voltage: See Table A
- Voltage Regulation: 18% TYP @ full load to no load
- Temperature Rise: 35°C TYP (45°C MAX allowed)
- Insulation Resistance:
  - 100 MΩ MIN @ 500VDC, Pri to Sec, Pri to Core
  - 100 MΩ MIN @ 500VDC, Sec to Core
- Hi-Pot:
  - 2500 Vrms 1 minute @ Pri to Sec
  - 1500 Vrms 1 minute @ Pri to Core
  - 1500 Vrms 1 minute @ Sec to Core
  - 500 Vrms 1 minute @ Sec to Sec



MODEL NUMBER

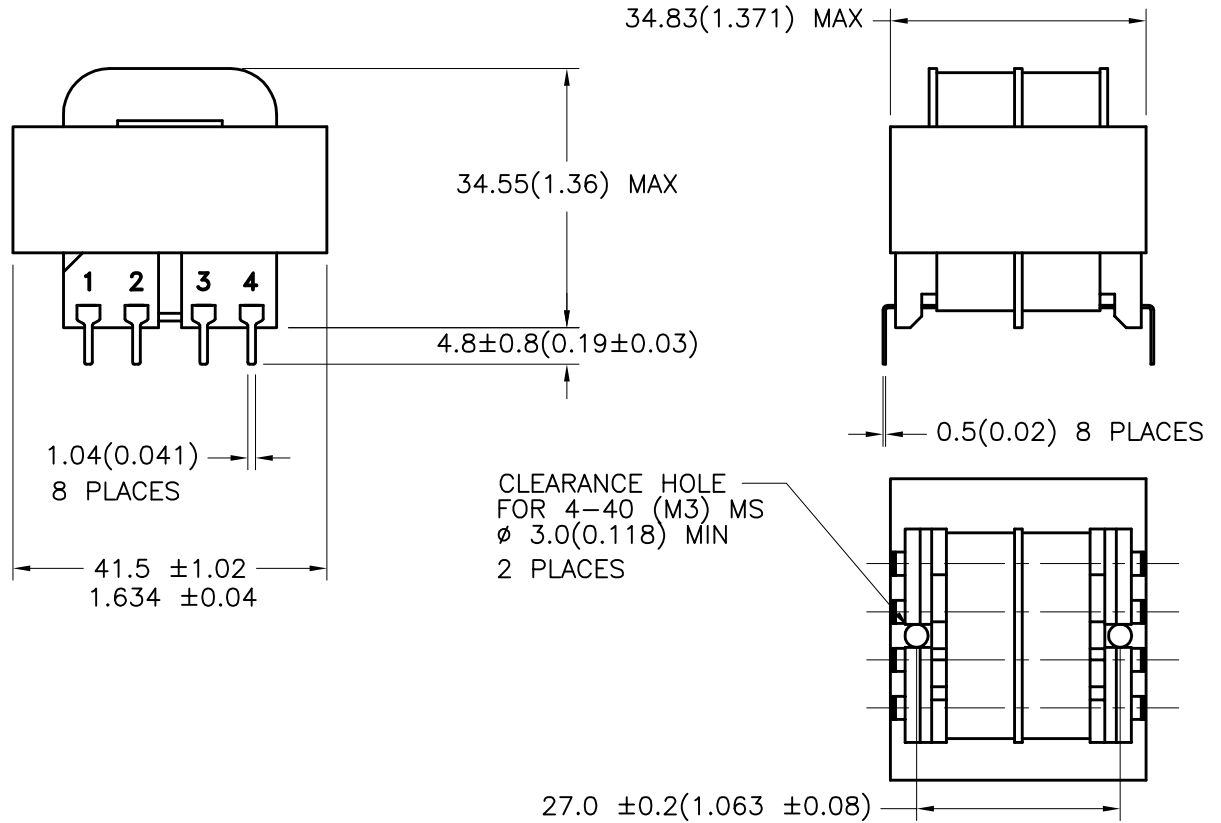
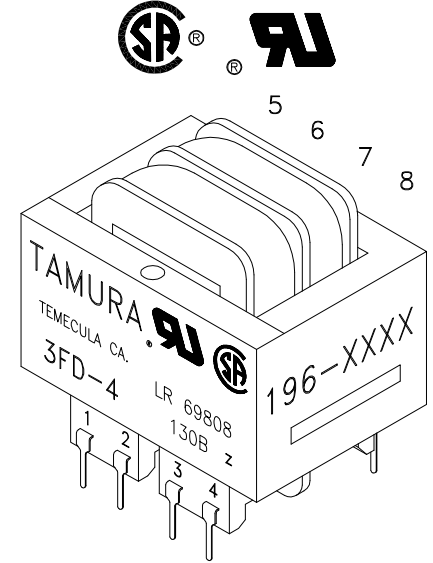
3FD-4XX & PSD4-XX

### B. Marking: TAMURA, Tamura part number (see sheet 2), MICROTRAN, Microtran part number (see sheet 2), date code, country of origin, safety logos and input and output ratings

### C. Safety:

- Insulation Class B (130°C) File No. E92957
- CSA 22.2 Nos. 0 and 66, File No. LR69808
- UL 1585, Class II and III, File No. E95844
- UL 506, General Purpose, File No. E91239

### D. Mechanical Specifications:



PREPARED BY:

K. BRENNAN

ENGINEER:

M. PITCHAI

QUALITY CONTROL:

T. CLEM

APPROVED:

Y. SEKIGUCHI

DWG CONTROL NO. P-A1-11163  
ACAD\3F\A111631.DWG

REV C

SIZE 4 3FD & PSD FAMILY  
POWER TRANSFORMER

**TAMURA CORPORATION OF AMERICA**  
43352 BUSINESS PARK DRIVE, TEMECULA, CA. 92590-6624  
(951) 699-1270 FAX 9516769482

## 3FD-4XX & PSD4-XX

MODEL SPECIFICATION

DIM: mm(In) SCL: 1/1 SH: 1 OF 2

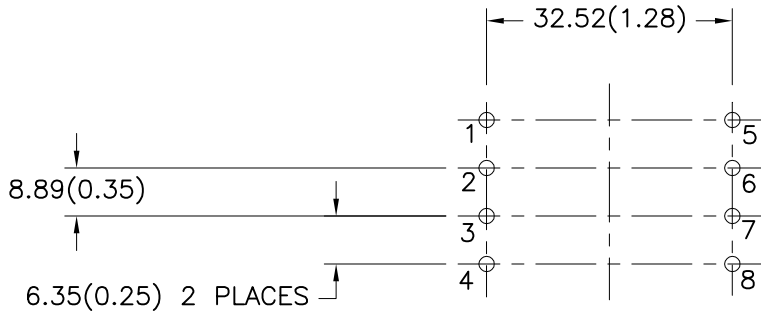
PROPRIETARY NOTICE: THIS DRAWING PRINT OR DOCUMENT AND SUBJECT MATTER DISCLOSED HEREIN ARE PROPRIETARY ITEMS TO WHICH TAMURA RETAINS THE EXCLUSIVE RIGHT OF DISSEMINATION, REPRODUCTION, MANUFACTURE AND SALE. THIS DRAWING, PRINT OR DOCUMENT IS SUBMITTED IN CONFIDENCE FOR CONSIDERATION BY THE RECIPIENT ALONE UNLESS PERMISSION FOR FURTHER DISCLOSURE IS EXPRESSLY GRANTED IN WRITING.



REV. Status

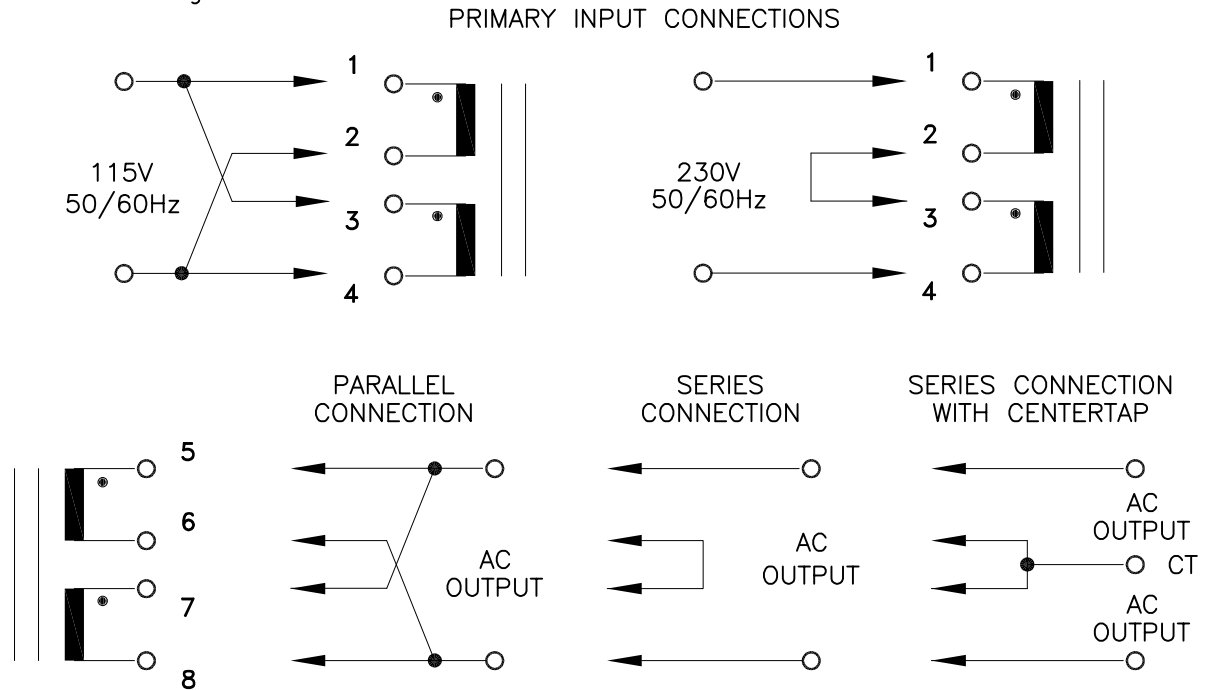
- REVISION - 07/23/96 TS
- REVISION A REFORMATTED 07/14/97 TS
- REVISION B CHANGED A.7. 08/23/99 TS
- REVISION C ADDED RoHS 01/10/06 MP

E. Mounting Footprint:



MODEL NUMBER  
3FD-4XX & PSD4-XX

F. Connection Diagram:



G. Table A: (NOTE: all parts are dual marked with both part numbers)

TAMURA PART NO.	MICROTRAN PART NO.	PARALLEL CONNECTION		SERIES CONNECTION		SERIES CONNECTION WITH CT	
		AC VOLTS	RMS AMPS	AC VOLTS	RMS AMPS	AC VOLTS	RMS AMPS
3FD-410	PSD4-10	5.0	1.20	10.0	0.60	5.0-CT-5.0	0.60
3FD-412	PSD4-12	6.3	1.00	12.6	0.50	6.3-CT-6.3	0.50
3FD-416	PSD4-16	8.0	0.80	16.0	0.40	8.0-CT-8.0	0.40
3FD-420	PSD4-20	10.0	0.60	20.0	0.30	10.0-CT-10.0	0.30
3FD-424	PSD4-24	12.0	0.50	24.0	0.25	12.0-CT-12.0	0.25
3FD-428	PSD4-28	14.0	0.40	28.0	0.20	14.0-CT-14.0	0.20
3FD-436	PSD4-36	18.0	0.34	36.0	0.17	18.0-CT-18.0	0.17
3FD-448	PSD4-48	24.0	0.25	48.0	0.125	24.0-CT-24.0	0.125
3FD-456	PSD4-56	28.0	0.22	56.0	0.11	28.0-CT-28.0	0.11
3FD-4120	PSD4-120	60.0	0.10	120.0	0.05	60.0-CT-60.0	0.05

PREPARED BY:  
K. BRENNAN

ENGINEER:  
M. PITCHAI

QUALITY CONTROL:  
T. CLEM

APPROVED:  
Y. SEKIGUCHI

DWG CONTROL NO. P-A1-11163  
ACAD\3F\A111632.DWG

REV C

SIZE 4 3FD & PSD FAMILY  
POWER TRANSFORMER

**TAMURA CORPORATION OF AMERICA**  
43352 BUSINESS PARK DRIVE, TEMECULA, CA. 92590-6624  
(951) 699-1270 FAX 9516769482

**3FD-4XX & PSD4-XX**

MODEL SPECIFICATION

DIM: mm(In) SCL: 1/1 SH: 2 OF 2

PROPRIETARY NOTICE: THIS DRAWING PRINT OR DOCUMENT AND SUBJECT MATTER DISCLOSED HEREIN ARE PROPRIETARY ITEMS TO WHICH TAMURA RETAINS THE EXCLUSIVE RIGHT OF DISSEMINATION, REPRODUCTION, MANUFACTURE AND SALE. THIS DRAWING, PRINT OR DOCUMENT IS SUBMITTED IN CONFIDENCE FOR CONSIDERATION BY THE RECIPIENT ALONE UNLESS PERMISSION FOR FURTHER DISCLOSURE IS EXPRESSLY GRANTED IN WRITING.