



Chipsmall Limited consists of a professional team with an average of over 10 year of expertise in the distribution of electronic components. Based in Hongkong, we have already established firm and mutual-benefit business relationships with customers from,Europe,America and south Asia,supplying obsolete and hard-to-find components to meet their specific needs.

With the principle of “Quality Parts,Customers Priority,Honest Operation,and Considerate Service”,our business mainly focus on the distribution of electronic components. Line cards we deal with include Microchip,ALPS,ROHM,Xilinx,Pulse,ON,Everlight and Freescale. Main products comprise IC,Modules,Potentiometer,IC Socket,Relay,Connector.Our parts cover such applications as commercial,industrial, and automotives areas.

We are looking forward to setting up business relationship with you and hope to provide you with the best service and solution. Let us make a better world for our industry!



Contact us

Tel: +86-755-8981 8866 Fax: +86-755-8427 6832

Email & Skype: info@chipsmall.com Web: www.chipsmall.com

Address: A1208, Overseas Decoration Building, #122 Zhenhua RD., Futian, Shenzhen, China





THREE FLANGE DUAL PRIMARY 12.0VA PC BOARD POWER TRANSFORMER

REV. Status

REVISION -
08/14/96 TS

REVISION A
REFORMATTED
07/14/97 TS

REVISION B
CHANGED A.7.
08/23/99 TS

REVISION C
ADDED RoHS
01/10/06 MP

A. Electrical Specifications (@ 25°C)

1. Maximum Power: 12.0 VA
2. Input Voltage and Frequency: 115/230V 50/60 Hz
3. Secondary Voltage: See Table A
4. Voltage Regulation: 19% TYP @ full load to no load
5. Temperature Rise: 45°C TYP (50°C MAX allowed)
6. Insulation Resistance:
100 MΩ MIN @ 500VDC, Pri to Sec, Pri to Core
100 MΩ MIN @ 500VDC, Sec to Core
7. Hi-Pot: 2500 Vrms 1 minute @ Pri to Sec
1500 Vrms 1 minute @ Pri to Core
1500 Vrms 1 minute @ Sec to Core
500 Vrms 1 minute @ Sec to Sec

B. Marking: TAMURA, Tamura part number (see sheet 2), MICROTRAN, Microtran part number (see sheet 2), date code, country of origin, safety logos and input and output ratings

C. Safety:

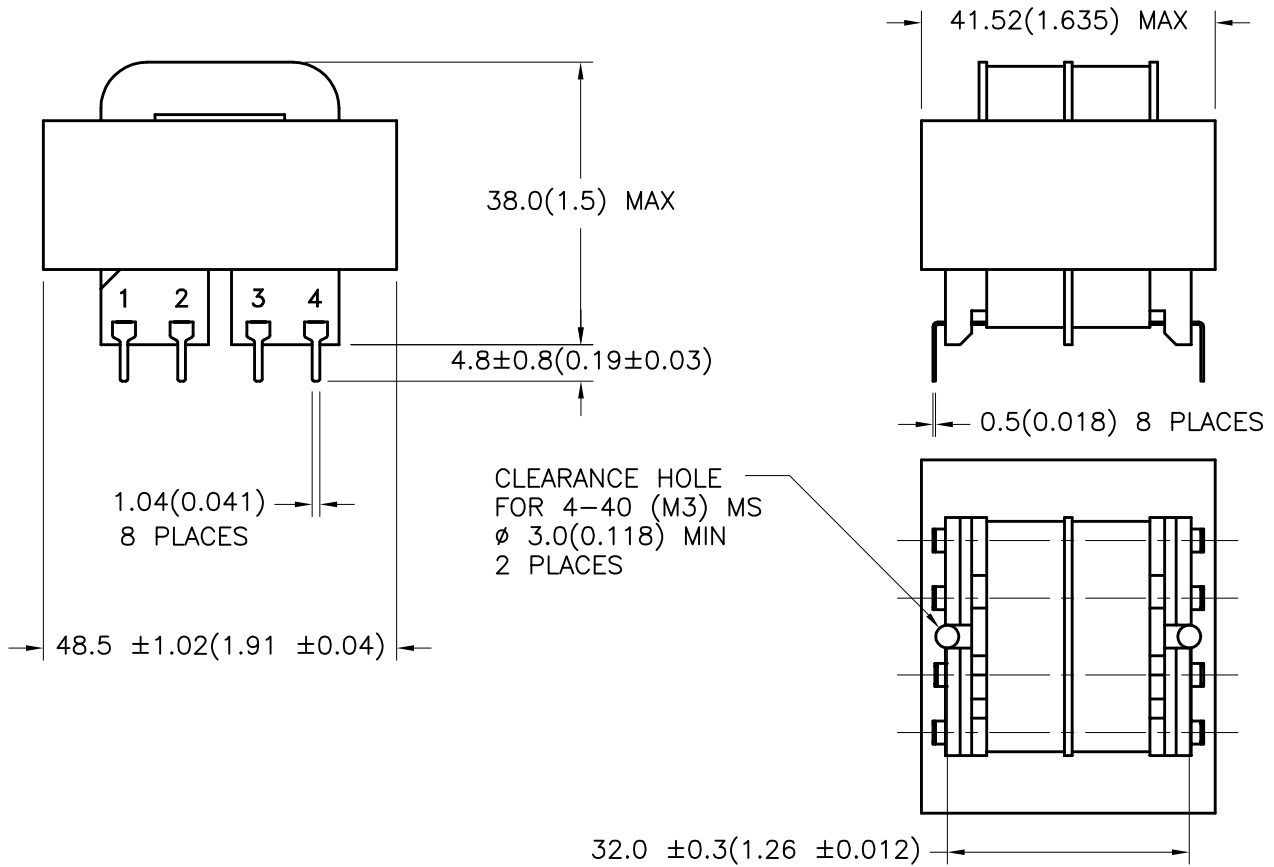
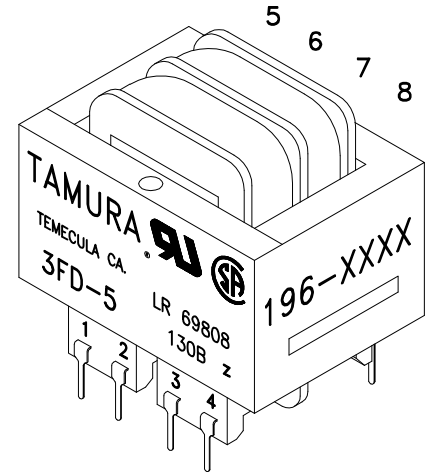
Insulation Class B (130°C) File No. E92957
 CSA 22.2 Nos. 0 and 66, File No. LR69808
 UL 1585, Class II and III, File No. E95844
 UL 506, General Purpose, File No. E91239

D. Mechanical Specifications:



MODEL NUMBER

3FD-5XX & PSD5-XX



PREPARED BY:

K. BRENNAN

ENGINEER:

M. PITCHAI

QUALITY CONTROL:

T. CLEM

APPROVED:

Y. SEKIGUCHI

DWG CONTROL NO. P-A1-11164
 ACAD\3F\A111641.DWG

REV C

SIZE 5 3FD & PSD FAMILY
 POWER TRANSFORMER

TAMURA CORPORATION OF AMERICA
 43352 BUSINESS PARK DRIVE, TEMECULA, CA. 92590-6624
 (951) 699-1270 FAX 9516769482

3FD-5XX & PSD5-XX

MODEL SPECIFICATION

DIM: mm(In) SCL: 1/1 SH: 1 OF 2

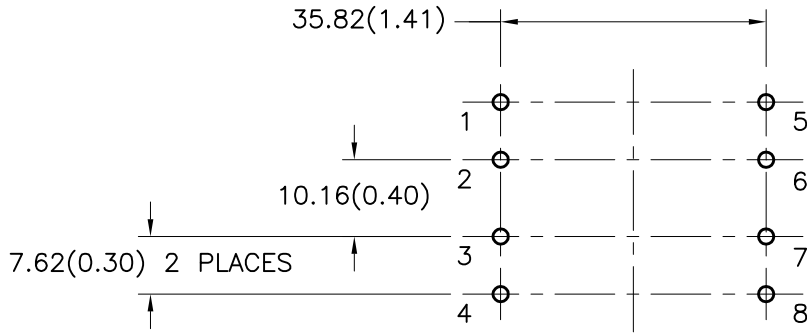
PROPRIETARY NOTICE: THIS DRAWING PRINT OR DOCUMENT AND SUBJECT MATTER DISCLOSED HEREIN ARE PROPRIETARY ITEMS TO WHICH TAMURA RETAINS THE EXCLUSIVE RIGHT OF DISSEMINATION, REPRODUCTION, MANUFACTURE AND SALE. THIS DRAWING, PRINT OR DOCUMENT IS SUBMITTED IN CONFIDENCE FOR CONSIDERATION BY THE RECIPIENT ALONE UNLESS PERMISSION FOR FURTHER DISCLOSURE IS EXPRESSLY GRANTED IN WRITING.



REV. Status

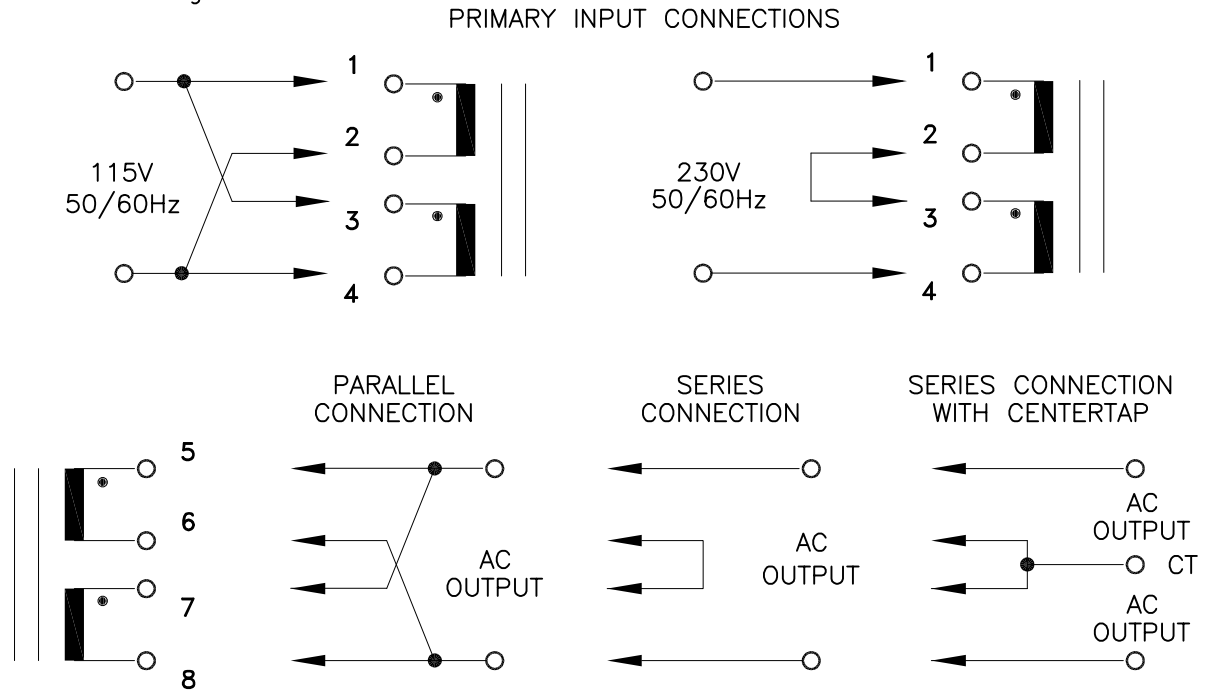
REVISION - 08/14/96 TS
 REVISION A REFORMATTED 07/14/97 TS
 REVISION B CHANGED A.7. 08/23/99 TS
 REVISION C ADDED RoHS 01/10/06 MP

E. Mounting Footprint:



MODEL NUMBER
3FD-5XX & PSD5-XX

F. Connection Diagram:



G. Table A: (NOTE: all parts are dual marked with both part numbers)

TAMURA PART NO.	MICROTRAN PART NO.	PARALLEL CONNECTION		SERIES CONNECTION		SERIES CONNECTION WITH CT	
		AC VOLTS	RMS AMPS	AC VOLTS	RMS AMPS	AC VOLTS	RMS AMPS
3FD-510	PSD5-10	5.0	2.4	10.0	1.2	5.0-CT-5.0	1.2
3FD-512	PSD5-12	6.3	2.0	12.6	1.0	6.3-CT-6.3	1.0
3FD-516	PSD5-16	8.0	1.6	16.0	0.8	8.0-CT-8.0	0.8
3FD-520	PSD5-20	10.0	1.2	20.0	0.6	10.0-CT-10.0	0.6
3FD-524	PSD5-24	12.0	1.0	24.0	0.5	12.0-CT-12.0	0.5
3FD-528	PSD5-28	14.0	0.84	28.0	0.42	14.0-CT-14.0	0.42
3FD-536	PSD5-36	18.0	0.7	36.0	0.35	18.0-CT-18.0	0.35
3FD-548	PSD5-48	24.0	0.5	48.0	0.25	24.0-CT-24.0	0.25
3FD-556	PSD5-56	28.0	0.44	56.0	0.22	28.0-CT-28.0	0.22
3FD-5120	PSD5-120	60.0	0.2	120.0	0.1	60.0-CT-60.0	0.1

PREPARED BY:
 K. BRENNAN
 ENGINEER:
 M. PITCHAI
 QUALITY CONTROL:
 T. CLEM
 APPROVED:
 Y. SEKIGUCHI

DWG CONTROL NO. P-A1-11164 ACAD\3F\A111642.DWG REV C

SIZE 5 3FD & PSD FAMILY POWER TRANSFORMER

TAMURA CORPORATION OF AMERICA
 43352 BUSINESS PARK DRIVE, TEMECULA, CA. 92590-6624 (951) 699-1270 FAX 9516769482

3FD-5XX & PSD5-XX
 MODEL SPECIFICATION

DIM: mm(In) SCL: 1/1 SH: 2 OF 2

PROPRIETARY NOTICE: THIS DRAWING PRINT OR DOCUMENT AND SUBJECT MATTER DISCLOSED HEREIN ARE PROPRIETARY ITEMS TO WHICH TAMURA RETAINS THE EXCLUSIVE RIGHT OF DISSEMINATION, REPRODUCTION, MANUFACTURE AND SALE. THIS DRAWING, PRINT OR DOCUMENT IS SUBMITTED IN CONFIDENCE FOR CONSIDERATION BY THE RECIPIENT ALONE UNLESS PERMISSION FOR FURTHER DISCLOSURE IS EXPRESSLY GRANTED IN WRITING.