



Chipsmall Limited consists of a professional team with an average of over 10 year of expertise in the distribution of electronic components. Based in Hongkong, we have already established firm and mutual-benefit business relationships with customers from,Europe,America and south Asia,supplying obsolete and hard-to-find components to meet their specific needs.

With the principle of “Quality Parts,Customers Priority,Honest Operation,and Considerate Service”,our business mainly focus on the distribution of electronic components. Line cards we deal with include Microchip,ALPS,ROHM,Xilinx,Pulse,ON,Everlight and Freescale. Main products comprise IC,Modules,Potentiometer,IC Socket,Relay,Connector.Our parts cover such applications as commercial,industrial, and automotives areas.

We are looking forward to setting up business relationship with you and hope to provide you with the best service and solution. Let us make a better world for our industry!



Contact us

Tel: +86-755-8981 8866 Fax: +86-755-8427 6832

Email & Skype: info@chipsmall.com Web: www.chipsmall.com

Address: A1208, Overseas Decoration Building, #122 Zhenhua RD., Futian, Shenzhen, China





LOW PROFILE, THREE FLANGE 12VA POWER TRANSFORMER APPROVED TO UL506 AND CSA C22.2 NO. 66-1988 AND USES A UL CLASS B (130°C) APPROVED INSULATION SYSTEM

MODEL NUMBER
3FL & PF 12VA

REV. Status
REVISION -
05/01/07 YS

A. Electrical Specifications (@25°C)

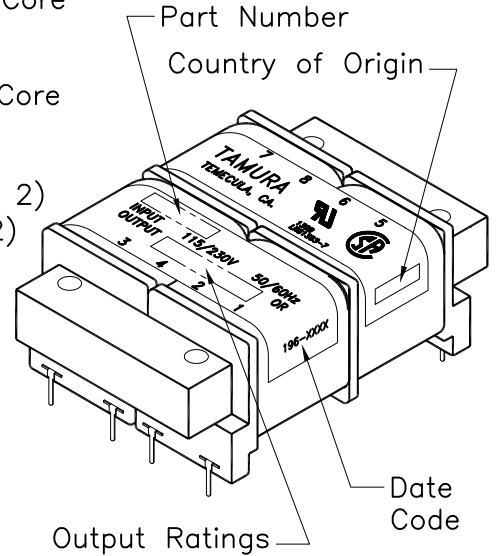
1. Maximum Power: 12VA
2. Primary Voltage and Frequency: 115/230VAC
50/60Hz.
3. Secondary RMS Rating: See Table A on sheet 2
4. Voltage Regulation: 20% TYP @ full load to no load
5. Temperature Rise: 35°C TYP (45°C MAX)
6. Insulation Resistance:
100MΩ MIN @ 500VDC, Pri to Sec, Pri to Core
100MΩ MIN @ 500VDC, Sec to core
7. Dielectric Withstand:
1500Vrms 1 minute @ Pri to Sec, Pri to Core
1500Vrms 1 minute @ Sec to Core



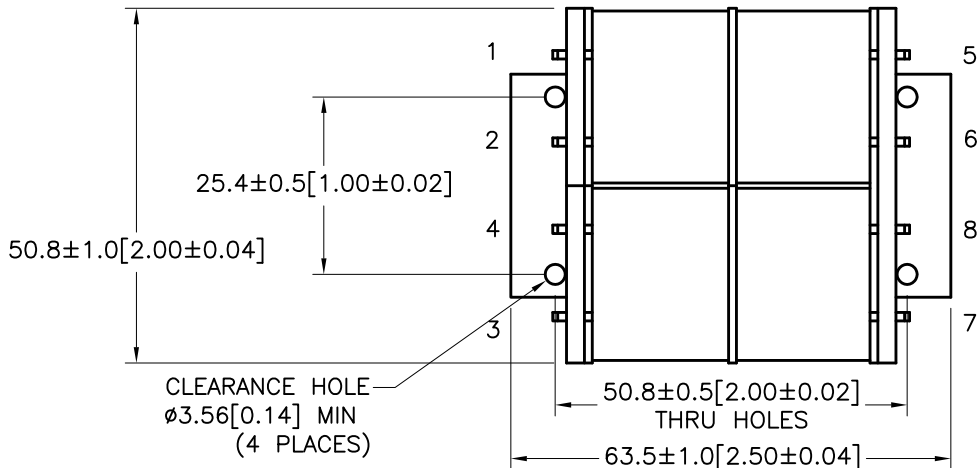
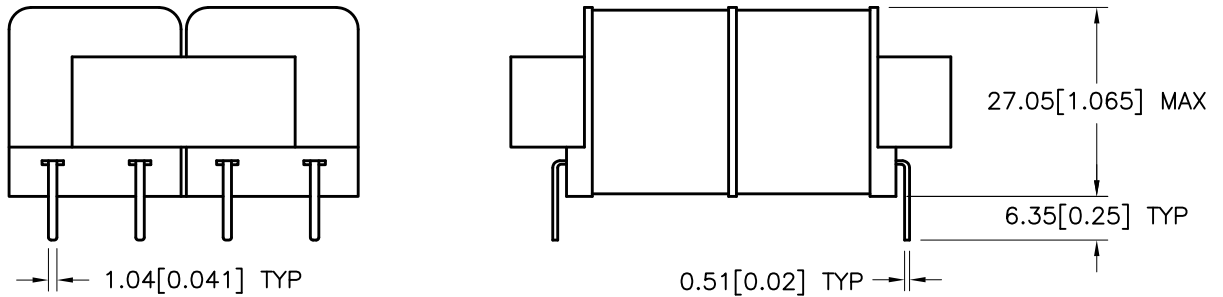
- B. Marking: TAMURA, Tamura part number (see sheet 2)
MICROTRAN, Microtran part number (see sheet 2)
date code, country of origin, safety logos
and input and output ratings (see sheet 2)

C. Safety:

UL approved, UL506 File E145619, E79781
Insulation Class B (130°C) File No E92957
CSA Certified, C22.2 No. 66 File 081383
(3FL Series)



D. Mechanical Specifications:



| TOLERANCES (mm) | |
|-----------------|-------|
| ≤ 4 | ± 0.2 |
| 4 ≤ 20 | ± 0.3 |
| 20 ≤ 50 | ± 0.4 |

PREPARED BY:
K. BRENNAN

ENGINEER:
M. PITCHAI

SAFETY ENGINEER:
B. OCONNELL

APPROVED:
Y. SEKIGUCHI

DWG CONTROL NO. REV
P-A1-11688 -
ACAD\3F\A1116881.DWG

CONTENTS OF THIS DRAWING ARE
SUBJECT TO CHANGE WITHOUT
PRIOR NOTICE

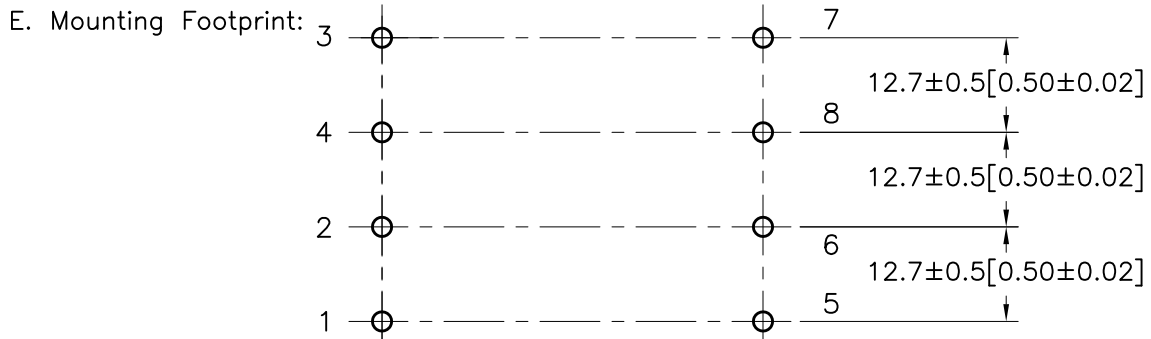
PROPRIETARY NOTICE: THIS DRAWING PRINT OR DOCUMENT AND SUBJECT MATTER DISCLOSED HEREIN ARE PROPRIETARY ITEMS TO WHICH TAMURA
RETAINS THE EXCLUSIVE RIGHT OF DISSEMINATION, REPRODUCTION, MANUFACTURE AND SALE. THIS DRAWING, PRINT OR DOCUMENT IS SUBMITTED IN
CONFIDENCE FOR CONSIDERATION BY THE RECIPIENT ALONE UNLESS PERMISSION FOR FURTHER DISCLOSURE IS EXPRESSLY GRANTED IN WRITING.

12VA 3FL & PF SERIES
POWER TRANSFORMER

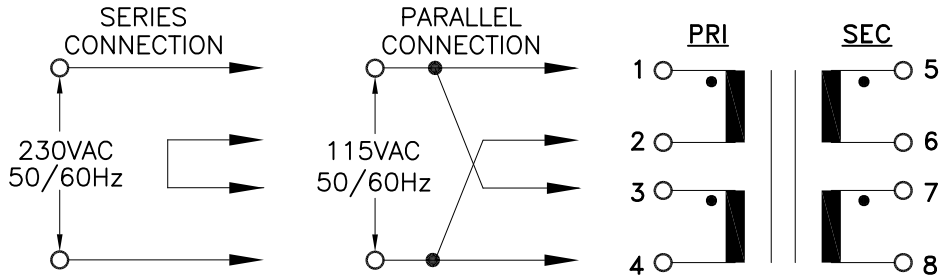
TAMURA CORPORATION OF AMERICA
43352 BUSINESS PARK DRIVE, TEMECULA, CA. 92590-6624
(951) 699-1270 FAX 9516769482

3FL & PF 12VA

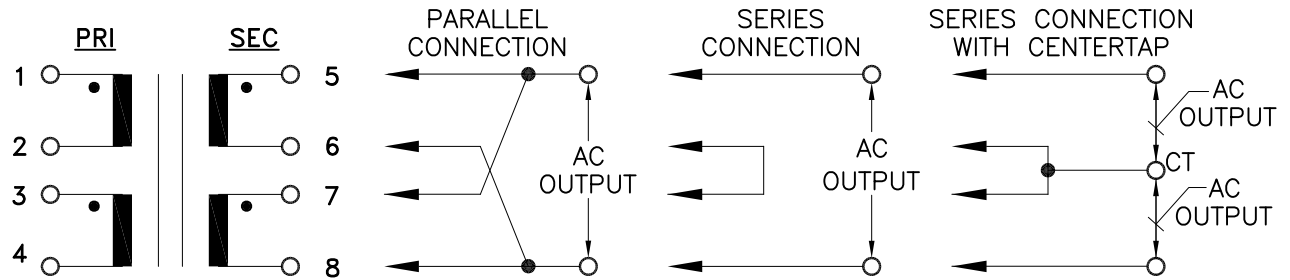
MODEL SPECIFICATION
DIM: mm[In] SCL: 1/1 SH: 1 OF 2



PRIMARY INPUT CONNECTIONS



SECONDARY OUTPUT CONNECTIONS



G. Table A:

| TAMURA PART NO. | MICROTRAN PART NO. | PARALLEL CONNECTION | | SERIES CONNECTION | | SERIES CONNECTION WITH CT | |
|-----------------|--------------------|---------------------|----------|-------------------|----------|---------------------------|----------|
| | | AC VOLTS | RMS AMPS | AC VOLTS | RMS AMPS | AC VOLTS | RMS AMPS |
| 3FL10-1200 | PF12-10 | 5.0 | 2.40 | 10.0 | 1.20 | 5.0-CT-5.0 | 1.20 |
| 3FL12-950 | PF12-12 | 6.3 | 1.90 | 12.6 | 0.95 | 6.3-CT-6.3 | 0.95 |
| 3FL16-700 | PF12-16 | 8.0 | 1.40 | 16.0 | 0.70 | 8.0-CT-8.0 | 0.70 |
| 3FL20-600 | PF12-20 | 10.0 | 1.20 | 20.0 | 0.60 | 10.0-CT-10.0 | 0.60 |
| 3FL24-500 | PF12-24 | 12.0 | 1.00 | 24.0 | 0.50 | 12.0-CT-12.0 | 0.50 |
| 3FL30-400 | PF12-30 | 15.0 | 0.80 | 30.0 | 0.40 | 15.0-CT-15.0 | 0.40 |
| 3FL34-340 | PF12-34 | 17.0 | 0.68 | 34.0 | 0.34 | 17.0-CT-17.0 | 0.34 |
| 3FL40-300 | N/A | 20.0 | 0.60 | 40.0 | 0.30 | 20.0-CT-20.0 | 0.30 |
| 3FL56-200 | PF12-56 | 28.0 | 0.42 | 56.0 | 0.21 | 28.0-CT-28.0 | 0.21 |
| 3FL88-130 | N/A | 44.0 | 0.26 | 88.0 | 0.13 | 44.0-CT-44.0 | 0.13 |
| 3FL120-100 | N/A | 60.0 | 0.20 | 120.0 | 0.10 | 60.0-CT-60.0 | 0.10 |
| 3FL230-50 | N/A | 115.0 | 0.10 | 230.0 | 0.05 | 115.0-CT-115.0 | 0.05 |

PREPARED BY:

K. BRENNAN

ENGINEER:

M. PITCHAI

SAFETY ENGINEER

B. OCONNELL

APPROVED:

Y. SEKIGUCHI

DWG CONTROL NO. P-A1-11688
ACAD\3F\A1116882.DWG

REV -
12VA 3FL & PF SERIES
POWER TRANSFORMER

TAMURA CORPORATION OF AMERICA
43352 BUSINESS PARK DRIVE, TEMECULA, CA. 92590-6624
(951) 699-1270 FAX 9516769482

3FL & PF 12VA

MODEL SPECIFICATION
DIM: mm(In) SCL: 1/1 SH: 2 OF 2

PROPRIETARY NOTICE: THIS DRAWING PRINT OR DOCUMENT AND SUBJECT MATTER DISCLOSED HEREIN ARE PROPRIETARY ITEMS TO WHICH TAMURA RETAINS THE EXCLUSIVE RIGHT OF DISSEMINATION, REPRODUCTION, MANUFACTURE AND SALE. THIS DRAWING, PRINT OR DOCUMENT IS SUBMITTED IN CONFIDENCE FOR CONSIDERATION BY THE RECIPIENT ALONE UNLESS PERMISSION FOR FURTHER DISCLOSURE IS EXPRESSLY GRANTED IN WRITING.