



Chipsmall Limited consists of a professional team with an average of over 10 year of expertise in the distribution of electronic components. Based in Hongkong, we have already established firm and mutual-benefit business relationships with customers from,Europe,America and south Asia,supplying obsolete and hard-to-find components to meet their specific needs.

With the principle of "Quality Parts,Customers Priority,Honest Operation,and Considerate Service",our business mainly focus on the distribution of electronic components. Line cards we deal with include Microchip,ALPS,ROHM,Xilinx,Pulse,ON,Everlight and Freescale. Main products comprise IC,Modules,Potentiometer,IC Socket,Relay,Connector.Our parts cover such applications as commercial,industrial, and automotives areas.

We are looking forward to setting up business relationship with you and hope to provide you with the best service and solution. Let us make a better world for our industry!



Contact us

Tel: +86-755-8981 8866 Fax: +86-755-8427 6832

Email & Skype: info@chipsmall.com Web: www.chipsmall.com

Address: A1208, Overseas Decoration Building, #122 Zhenhua RD., Futian, Shenzhen, China





THREE FLANGE SINGLE PRIMARY 12.0VA PC BOARD POWER TRANSFORMER

MODEL NUMBER
3FS-5XX & PSS5-XX

REV. Status
REVISION - 07/23/96 TS
REVISION A REFORMATTED 08/14/96 TS
REVISION B REFORMATTED 07/15/97 TS
REVISION C CHANGED A.7. 08/20/99 TS
REVISION D ADDED RoHS 01/12/06 MP

A. Electrical Specifications (@ 25°C)

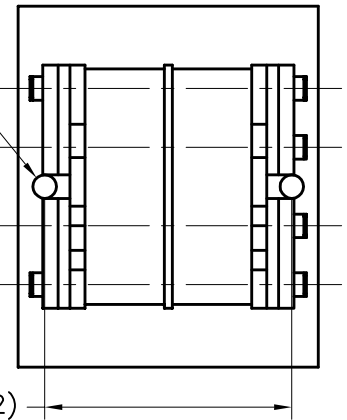
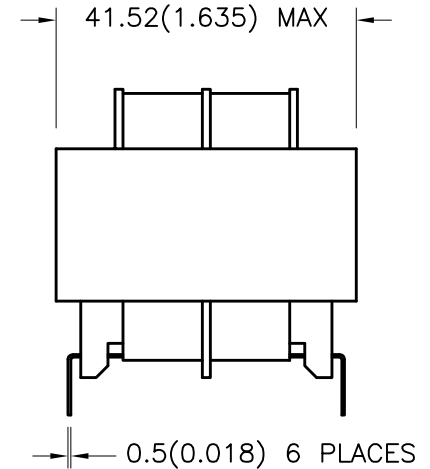
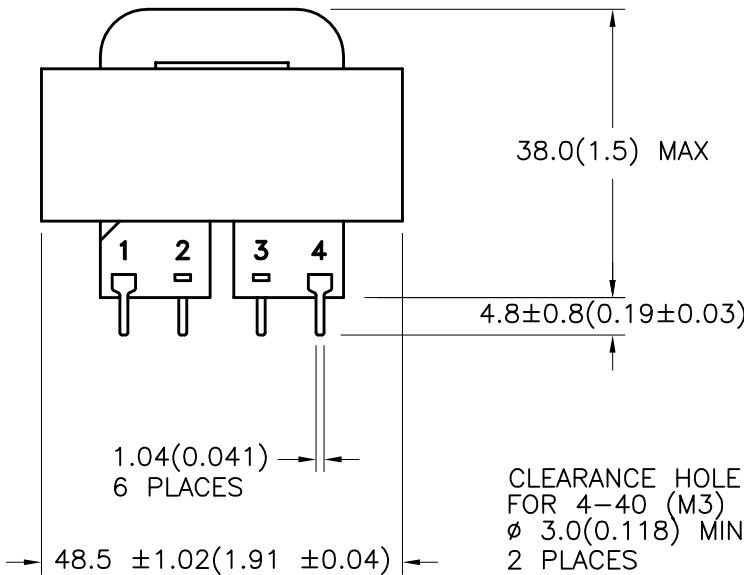
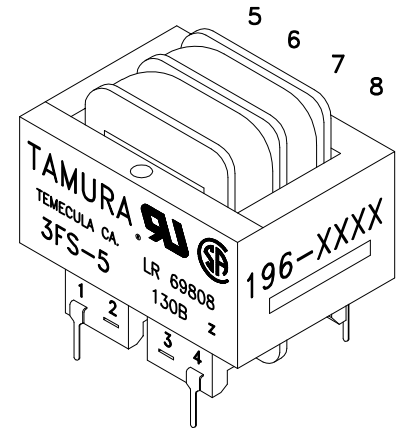
1. Maximum Power: 12.0 VA
2. Input Voltage and Frequency: 115V 50/60 Hz
3. Secondary Voltage: See Table A
4. Voltage Regulation: 19% TYP @ full load to no load
5. Temperature Rise: 45°C TYP (50°C MAX allowed)
6. Insulation Resistance:
100 MΩ MIN @ 500VDC, Pri to Sec, Pri to Core
100 MΩ MIN @ 500VDC, Sec to Core
7. Hi-Pot: 2500 Vrms 1 minute @ Pri to Sec
1500 Vrms 1 minute @ Pri to Core
1500 Vrms 1 minute @ Sec to Core
500 Vrms 1 minute @ Sec to Sec

B. Marking: TAMURA, Tamura part number (see sheet 2), MICROTRAN, Microtran part number (see sheet 2), date code, country of origin, safety logos and input and output ratings

C. Safety:

- Insulation Class B (130°C) File No. E92957
- CSA 22.2 Nos. 0 and 66, File No. LR69808
- UL 1585, Class II and III, File No. E95844
- UL 506, General Purpose, File No. E91239

D. Mechanical Specifications:



PREPARED BY: K. BRENNAN
ENGINEER: M. PITCHAI
QUALITY CONTROL: T. CLEM
APPROVED: Y. SEKIGUCHI

DWG CONTROL NO. P-A1-11648 ACAD\3F\A1116481.DWG	REV D	SIZE 5 3FS & PSS FAMILY POWER TRANSFORMER
TAMURA CORPORATION OF AMERICA 43352 BUSINESS PARK DRIVE, TEMECULA, CA. 92590-6624 (951) 699-1270 FAX 9516769482		

3FS-5XX & PSS5-XX	
MODEL SPECIFICATION	
DIM: mm(In)	SH: 1 OF 2

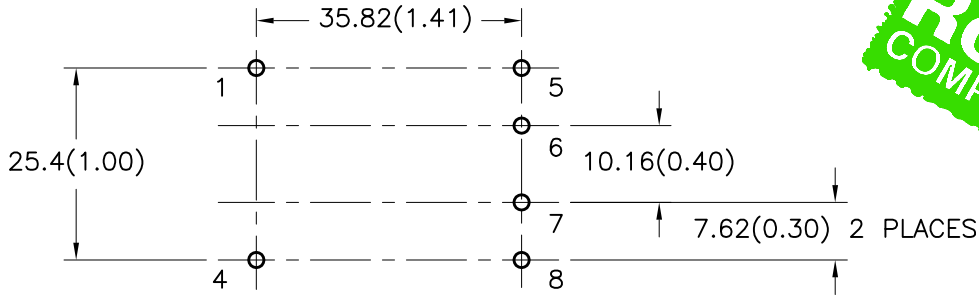
PROPRIETARY NOTICE: THIS DRAWING PRINT OR DOCUMENT AND SUBJECT MATTER DISCLOSED HEREIN ARE PROPRIETARY ITEMS TO WHICH TAMURA RETAINS THE EXCLUSIVE RIGHT OF DISSEMINATION, REPRODUCTION, MANUFACTURE AND SALE. THIS DRAWING, PRINT OR DOCUMENT IS SUBMITTED IN CONFIDENCE FOR CONSIDERATION BY THE RECIPIENT ALONE UNLESS PERMISSION FOR FURTHER DISCLOSURE IS EXPRESSLY GRANTED IN WRITING.



REV. Status

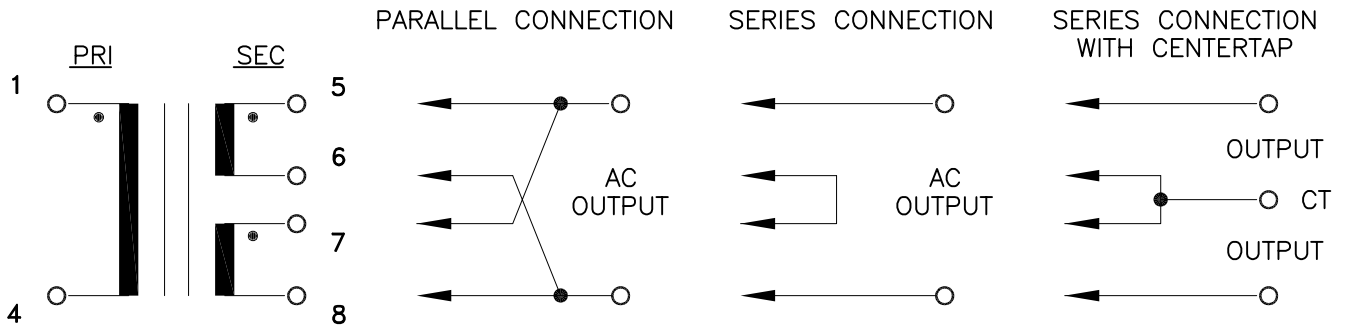
- REVISION - 07/23/96 TS
- REVISION A REFORMATTED 08/22/96 TS
- REVISION B REFORMATTED 07/15/97 TS
- REVISION C CHANGED A.7. 08/20/99 TS
- REVISION D ADDED RoHS 01/12/06 MP

E. Mounting Footprint:



MODEL NUMBER
3FS-5XX & PSS5-XX

F. Schematic Diagram:



G. Table A: (NOTE: All parts are dual marked with both part numbers)

TAMURA PART NO.	MICROTRAN PART NO.	PARALLEL CONNECTION		SERIES CONNECTION		SERIES CONNECTION WITH CT	
		AC VOLTS	RMS AMPS	AC VOLTS	RMS AMPS	AC VOLTS	RMS AMPS
3FS-510	PSS5-10	5.0	2.4	10.0	1.2	5.0-CT-5.0	1.2
3FS-512	PSS5-12	6.3	2.0	12.6	1.0	6.3-CT-6.3	1.0
3FS-516	PSS5-16	8.0	1.6	16.0	0.8	8.0-CT-8.0	0.8
3FS-520	PSS5-20	10.0	1.2	20.0	0.6	10.0-CT-10.0	0.6
3FS-524	PSS5-24	12.0	1.0	24.0	0.5	12.0-CT-12.0	0.5
3FS-528	PSS5-28	14.0	0.84	28.0	0.42	14.0-CT-14.0	0.42
3FS-536	PSS5-36	18.0	0.7	36.0	0.35	18.0-CT-18.0	0.35
3FS-548	PSS5-48	24.0	0.5	48.0	0.25	24.0-CT-24.0	0.25
3FS-556	PSS5-56	28.0	0.44	56.0	0.22	28.0-CT-28.0	0.22
3FS-5120	PSS5-120	60.0	0.2	120.0	0.1	60.0-CT-60.0	0.1

PREPARED BY:
K. BRENNAN

ENGINEER:
M. PITCHAI

QUALITY CONTROL:
T. CLEM

APPROVED:
Y. SEKIGUCHI

DWG CONTROL NO. P-A1-11648 ACAD\3F\A1116482.DWG	REV D	SIZE 5 3FS & PSS FAMILY POWER TRANSFORMER	3FS-5XX & PSS5-XX
CONTENTS OF THIS DRAWING ARE SUBJECT TO CHANGE WITHOUT PRIOR NOTICE		TAMURA CORPORATION OF AMERICA 43352 BUSINESS PARK DRIVE, TEMECULA, CA. 92590-6624 (951) 699-1270 FAX 9516769482	MODEL SPECIFICATION
		DIM: mm(In)	SCL: 1/1 SH: 2 OF 2
<p style="font-size: 8pt;">PROPRIETARY NOTICE: THIS DRAWING PRINT OR DOCUMENT AND SUBJECT MATTER DISCLOSED HEREIN ARE PROPRIETARY ITEMS TO WHICH TAMURA RETAINS THE EXCLUSIVE RIGHT OF DISSEMINATION, REPRODUCTION, MANUFACTURE AND SALE. THIS DRAWING, PRINT OR DOCUMENT IS SUBMITTED IN CONFIDENCE FOR CONSIDERATION BY THE RECIPIENT ALONE UNLESS PERMISSION FOR FURTHER DISCLOSURE IS EXPRESSLY GRANTED IN WRITING.</p>			