



Chipsmall Limited consists of a professional team with an average of over 10 year of expertise in the distribution of electronic components. Based in Hongkong, we have already established firm and mutual-benefit business relationships with customers from,Europe,America and south Asia,supplying obsolete and hard-to-find components to meet their specific needs.

With the principle of "Quality Parts,Customers Priority,Honest Operation,and Considerate Service",our business mainly focus on the distribution of electronic components. Line cards we deal with include Microchip,ALPS,ROHM,Xilinx,Pulse,ON,Everlight and Freescale. Main products comprise IC,Modules,Potentiometer,IC Socket,Relay,Connector.Our parts cover such applications as commercial,industrial, and automotives areas.

We are looking forward to setting up business relationship with you and hope to provide you with the best service and solution. Let us make a better world for our industry!



## Contact us

Tel: +86-755-8981 8866 Fax: +86-755-8427 6832

Email & Skype: info@chipsmall.com Web: www.chipsmall.com

Address: A1208, Overseas Decoration Building, #122 Zhenhua RD., Futian, Shenzhen, China

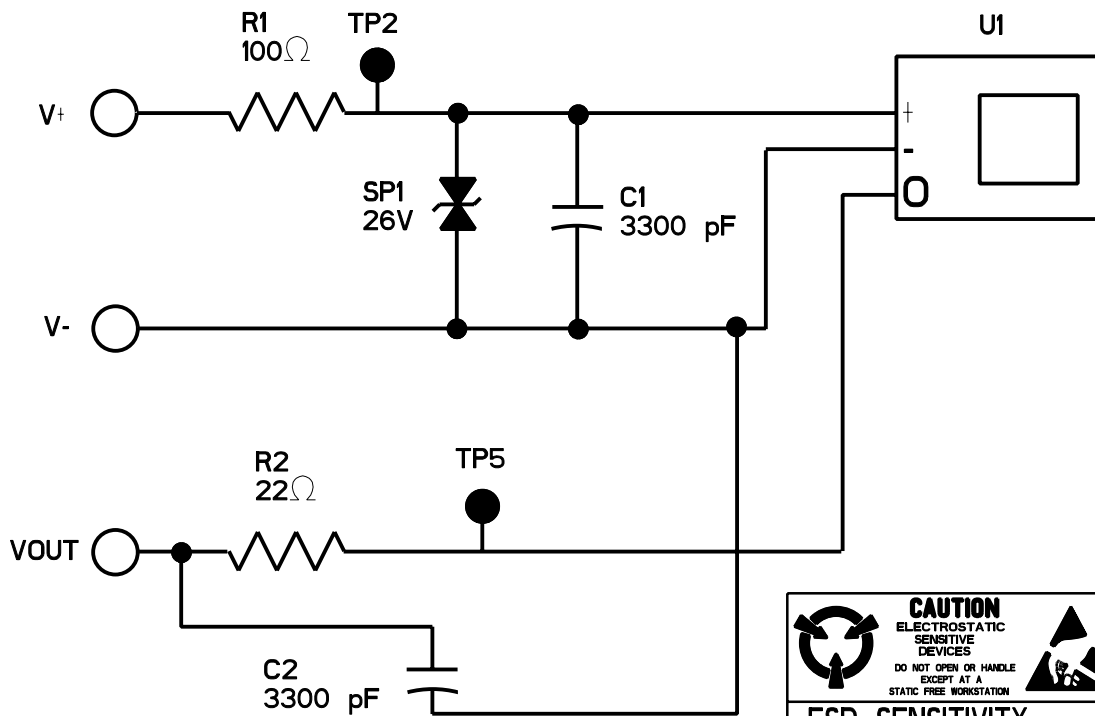
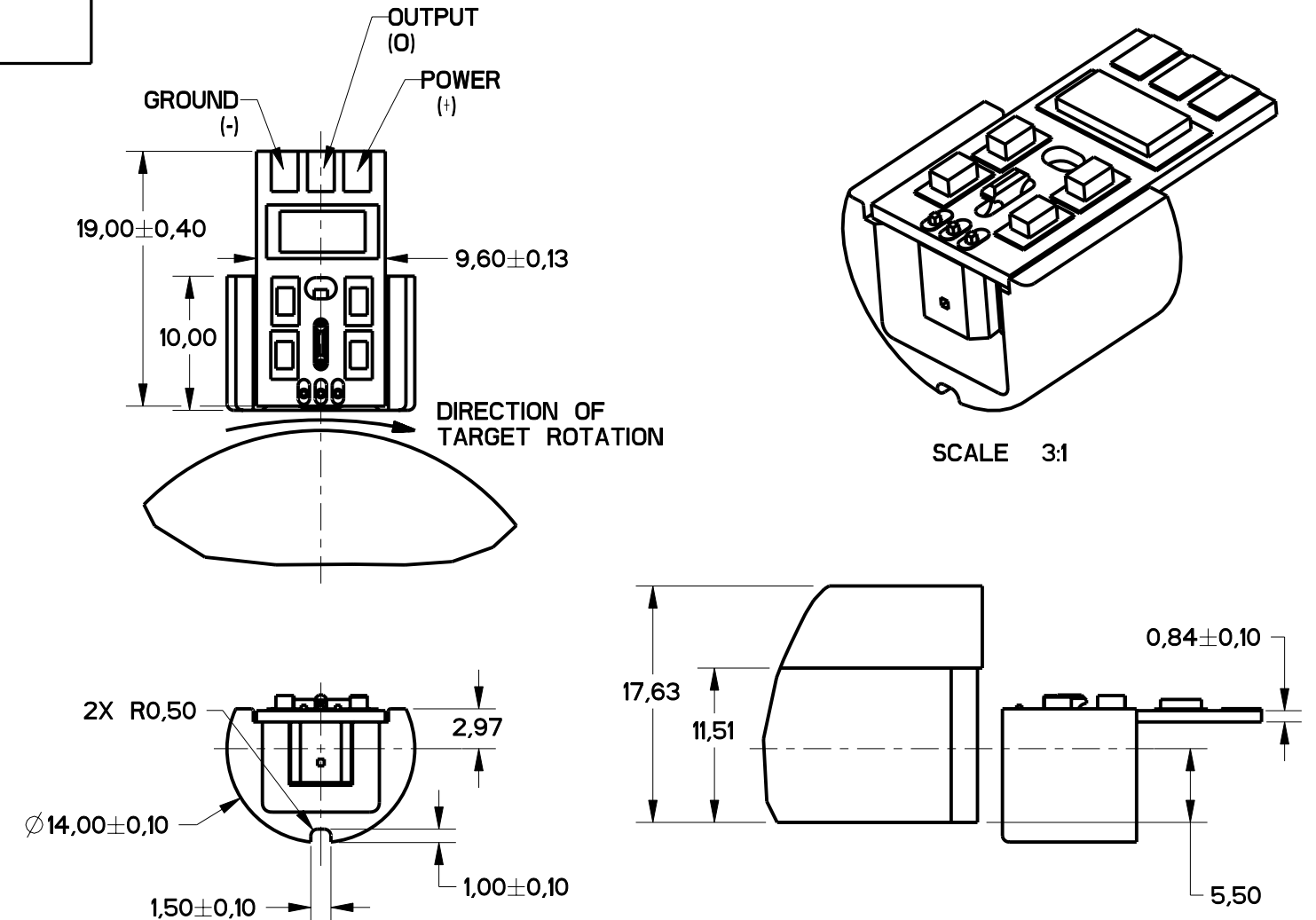
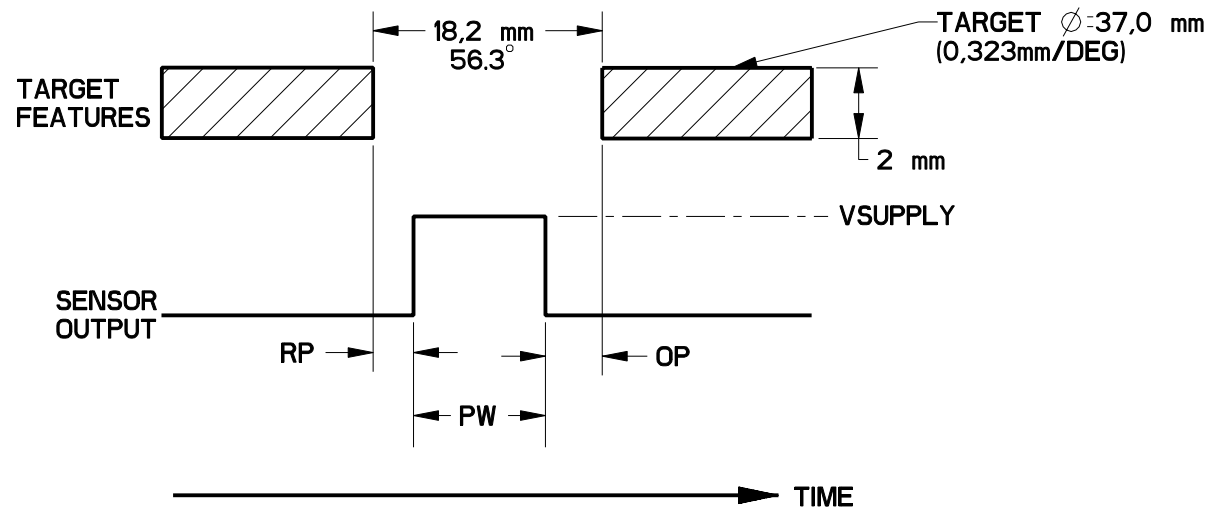


**PRELIMINARY OPERATING SPECIFICATIONS**

PARAMETER	CONDITION	DESIGN			UNITS	
		MIN.	NOM.	MAX.		
AG	AIR GAP	1	.30	.70	1.10	mm
AGm	AIR GAP MAX.	5			1.70	mm
Ta	TEMPERATURE		-40		130	°C
St	TARGET SPEED		0		4000	RPM
OP	OPERATE	2	-8.9	-5.2	-15	DEG.
RP	RELEASE	2	2.4	6.1	9.8	DEG.
PW	PULSE WIDTH	2	37.6	45.0	52.4	DEG.
Vs	SUPPLY VOLTAGE		6.0		16.0	VDC
Vmax	SUPPLY VOLTAGE MAX.				24.0	VDC
I	SUPPLY CURRENT				20.0	mA
Is	SINK CURRENT				10.0	mA
Tr	RISE TIME (R1=1KΩ)				18	uSec
Tf	FALL TIME				1	uSec
Vce(sat)	VOLTAGE COLLECTOR EMITTER (SATURATED)				600	mV
Iceo	LEAKAGE CURRENT (OFF)				20	uA
OPt	OPERATE OVER TEMP.	3	-11.4	-5.2	1.0	DEG.
RPt	RELEASE OVER TEMP.	3	0.1	6.1	12.3	DEG.
PWt	PULSE WIDTH OVER TEMP.	3	32.6	45.0	57.4	DEG.
DELTA OPs	DELTA OPERATE OVER SPEED	4	0.0		0.9	DEG.
DELTA RPs	DELTA RELEASE OVER SPEED	4	0.0		1.5	DEG.

**NOTES**

- 1 AIR GAP ASSUMES 0.75 mm OVERPACKAGE OF MODULE
- 2 80°C, 0.7 mm AIR GAP, 300 RPM, 12V
- 3 -30 TO 120°C, 0.7 mm AIR GAP, 300 RPM, 12V
- 4 80°C, 0.7 mm AIR GAP, 300 TO 3000 RPM, 12V
- 5 TWO PULSES PER ONE ROTATION AT 80°C, 1.7 mm AIR GAP, 300 RPM



**CAUTION**  
ELECTROSTATIC SENSITIVE DEVICES  
DO NOT OPEN OR HANDLE EXCEPT AT A STATIC FREE WORKSTATION

**ESD SENSITIVITY: CLASS 3**

THIRD ANGLE PROJECTION

SCALE **3 : 1**

DO NOT SCALE PRINT

UNLESS OTHERWISE SPECIFIED TOLERANCES ARE

NO PLACE	( 0 )	± 1
ONE PLACE	( 0.0 )	± 0.4
TWO PLACE	( 0.00 )	± 0.15
ANGLES		±
WEIGHT		

CATALOG LISTING  
**3GC401**  
PAGE 1 OF 1

ISSUE **3**

REVISIONS  
A PR-23276 KAG 22 JAN 98  
B CD 96148 GRT 3 APR 00

CHECK

CHECK

PTC/CAD  
DRAWN WJC 21 NOV 97