



Chipsmall Limited consists of a professional team with an average of over 10 year of expertise in the distribution of electronic components. Based in Hongkong, we have already established firm and mutual-benefit business relationships with customers from,Europe,America and south Asia,supplying obsolete and hard-to-find components to meet their specific needs.

With the principle of “Quality Parts,Customers Priority,Honest Operation,and Considerate Service”,our business mainly focus on the distribution of electronic components. Line cards we deal with include Microchip,ALPS,ROHM,Xilinx,Pulse,ON,Everlight and Freescale. Main products comprise IC,Modules,Potentiometer,IC Socket,Relay,Connector.Our parts cover such applications as commercial,industrial, and automotives areas.

We are looking forward to setting up business relationship with you and hope to provide you with the best service and solution. Let us make a better world for our industry!



## Contact us

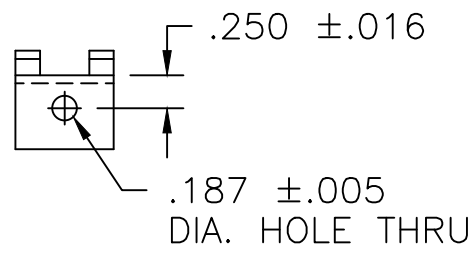
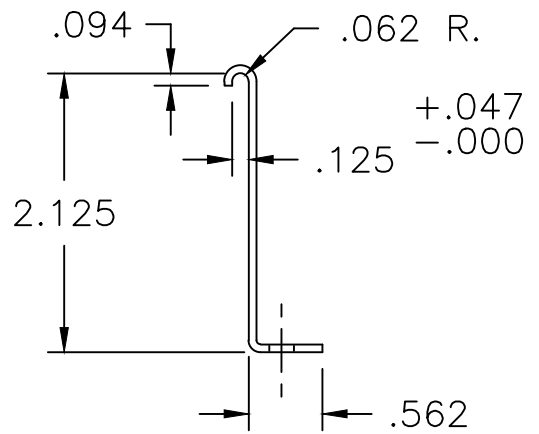
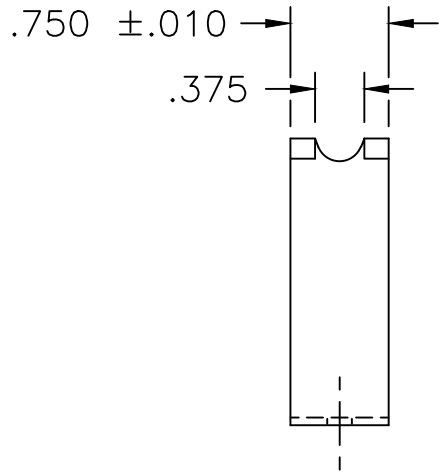
Tel: +86-755-8981 8866 Fax: +86-755-8427 6832


Email & Skype: info@chipsmall.com Web: www.chipsmall.com

Address: A1208, Overseas Decoration Building, #122 Zhenhua RD., Futian, Shenzhen, China



DWG. SIZE <b>B</b>	DWG. NO. <b>657-2336</b>		
<b>REVISIONS</b>			
SYM.	E.C.N.	DATE	APVD.
<b>A</b>	24165	2/1/00	DEL. VENDOR



UNLESS OTHERWISE SPECIFIED, TOLERANCE IS ± DECIMALS   HOLES   ANGLES   DRAFT .XX   .010   .002   1°   1-1/2° .XXX <del>.005</del> .031	UNITS IN [mm]	TITLE:  <h2 style="text-align: center;">BRACKET-MOUNTING</h2>				 A COMPONENTS CORPORATION OF AMERICA COMPANY DAYTON, OHIO U.S.A.		
	MATERIAL: 445-0100 #16 GAUGE (.0598) CRS							ALL DIMENSIONS APPLY AFTER PLATING
The information and design disclosed herein was originated by and is the property of STACO ENERGY PRODUCTS CO., which reserves all patent, proprietary, design, manufacturing, reproduction, use and sale rights thereto, and to any article disclosed therein except to the extent rights are expressly granted to others. The foregoing does not apply to vendor proprietary parts.		DRAWN BY <b>S.A. SMITH</b>	DATE <b>1/23/97</b>	FIRST USED ON	DO NOT SCALE DWG.	CUSTOMER APPROVAL		DATE
		CHECKER	DATE	WEIGHT APPROX.	CODE IDENT. NO. 83008	DWG. SIZE <b>B</b>	DWG. NO. <b>657-2336</b>	
		ENGINEER	DATE	SCALE 1=1	SHEET 1 OF 1			