



Chipsmall Limited consists of a professional team with an average of over 10 year of expertise in the distribution of electronic components. Based in Hongkong, we have already established firm and mutual-benefit business relationships with customers from,Europe,America and south Asia,supplying obsolete and hard-to-find components to meet their specific needs.

With the principle of “Quality Parts,Customers Priority,Honest Operation,and Considerate Service”,our business mainly focus on the distribution of electronic components. Line cards we deal with include Microchip,ALPS,ROHM,Xilinx,Pulse,ON,Everlight and Freescale. Main products comprise IC,Modules,Potentiometer,IC Socket,Relay,Connector.Our parts cover such applications as commercial,industrial, and automotives areas.

We are looking forward to setting up business relationship with you and hope to provide you with the best service and solution. Let us make a better world for our industry!



Contact us

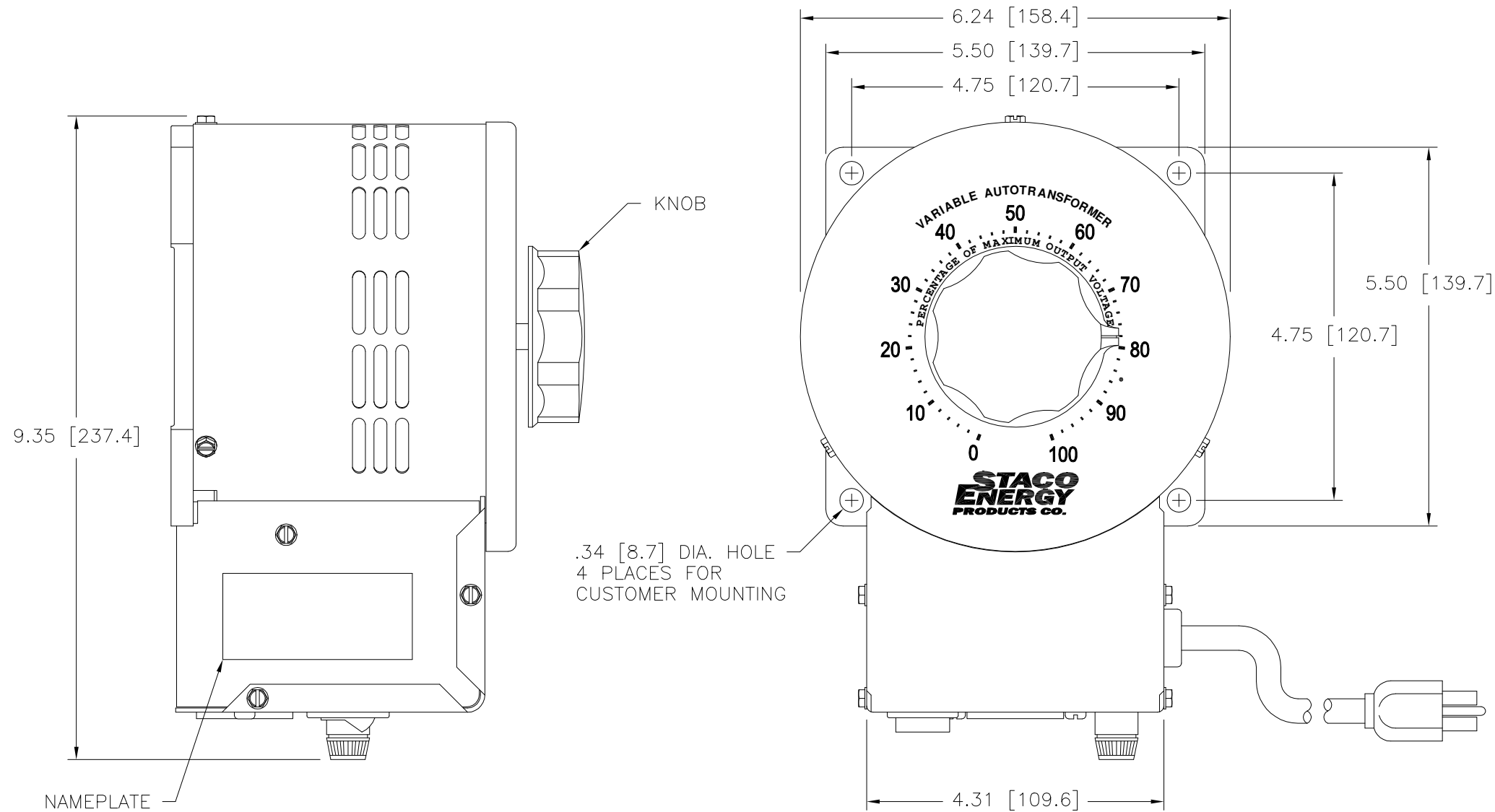
Tel: +86-755-8981 8866 Fax: +86-755-8427 6832

Email & Skype: info@chipsmall.com Web: www.chipsmall.com

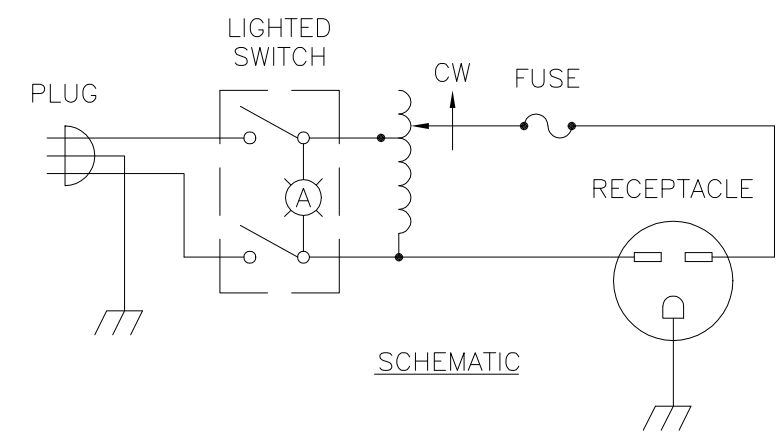
Address: A1208, Overseas Decoration Building, #122 Zhenhua RD., Futian, Shenzhen, China



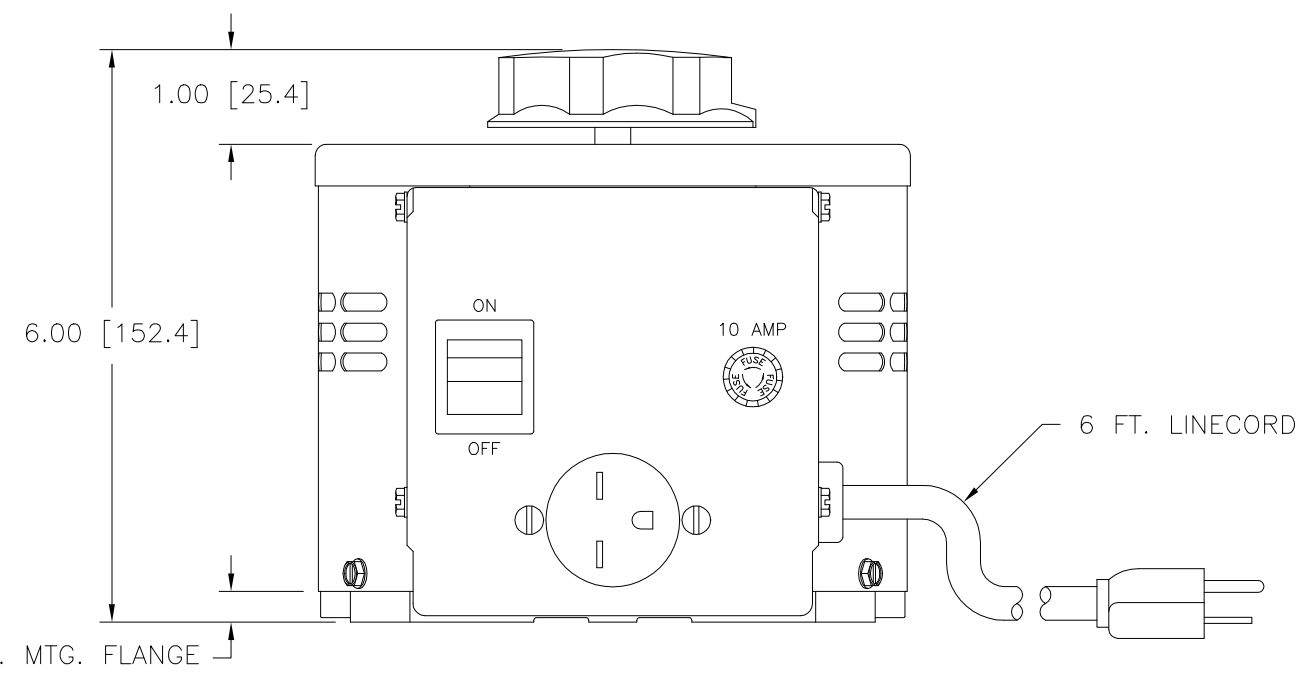
| | | | |
|--------------------|----------|---------|-------|
| DWG. NO. | 031-3945 | | |
| REVISIONS | | | |
| SYM. | E.C.N. | DATE | APVD. |
| A | 24185 | 2/28/00 | |
| ROTATED RECEPTACLE | | | |
| B | 24536 | 3/13/01 | |
| REVISED SILKSCREEN | | | |



.34 [8.7] DIA. HOLE
4 PLACES FOR
CUSTOMER MOUNTING



SCHEMATIC



.32 [8.1] THK. MTG. FLANGE

| SPECIFICATIONS | | | | |
|----------------|-------|-------|--------|-----------------------|
| WIRING | INPUT | | OUTPUT | |
| | VOLTS | HERTZ | VOLTS | CONSTANT CURRENT LOAD |
| SINGLE PHASE | 240 | 50/60 | 0-280 | MAX. AMPS MAX. KVA |
| | | | | 9.5 2.66 |

UNLESS OTHERWISE SPECIFIED, TOLERANCE IS ±

| | | | | |
|----------|-------|--------|--------|---------|
| DECIMALS | HOLES | ANGLES | DRAFT | UNITS |
| .XX | .0000 | .01 | 1° | IN [mm] |
| .XXX | .005 | | 1-1/2° | |

MATERIAL: ALL DIMENSIONS APPLY AFTER PLATING

THE INFORMATION AND DESIGN DISCLOSED HEREIN WAS ORIGINATED BY AND IS THE PROPERTY OF STACO ENERGY PRODUCTS CO., WHICH RESERVES ALL PATENT, PROPRIETARY, DESIGN, MANUFACTURING, REPRODUCTION, USE AND SALE RIGHTS THEREIN, AND TO ANY ARTICLE DISCLOSED THEREIN EXCEPT TO THE EXTENT RIGHTS ARE EXPRESSLY GRANTED TO OTHERS. THE FOREGOING DOES NOT APPLY TO VENDOR PROPRIETARY PARTS.

TITLE: SPEC. CONTROL DRAWING
VARIABLE TRANSFORMER
MODEL: 3PN1520B

| | | | |
|------------|---------|----------------|-------------------|
| DRAWN BY | DATE | FIRST USED ON | DO NOT SCALE DWG. |
| S.A. SMITH | 5/17/96 | 3PN1520B | |
| CHECKER | DATE | WEIGHT APPROX. | CAGE CODE |
| | | 22 LBS | 83008 |
| ENGINEER | DATE | SCALE | DWG. SIZE |
| | | 1=1 | D |

302 Guedis Boulevard Dayton, Ohio 45403 USA

STACO ENERGY PRODUCTS CO.
A Components Corporation of America Company

SHEET 1 OF 1

DWG. NO. 031-3945