



Chipsmall Limited consists of a professional team with an average of over 10 year of expertise in the distribution of electronic components. Based in Hongkong, we have already established firm and mutual-benefit business relationships with customers from,Europe,America and south Asia,supplying obsolete and hard-to-find components to meet their specific needs.

With the principle of “Quality Parts,Customers Priority,Honest Operation,and Considerate Service”,our business mainly focus on the distribution of electronic components. Line cards we deal with include Microchip,ALPS,ROHM,Xilinx,Pulse,ON,Everlight and Freescale. Main products comprise IC,Modules,Potentiometer,IC Socket,Relay,Connector.Our parts cover such applications as commercial,industrial, and automotives areas.

We are looking forward to setting up business relationship with you and hope to provide you with the best service and solution. Let us make a better world for our industry!



Contact us

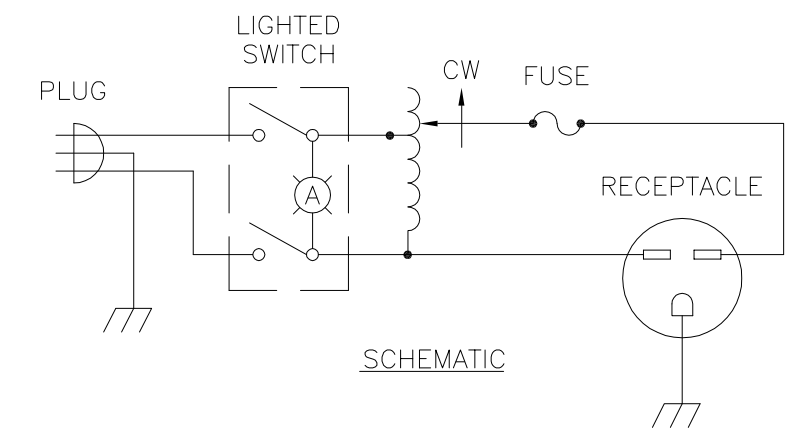
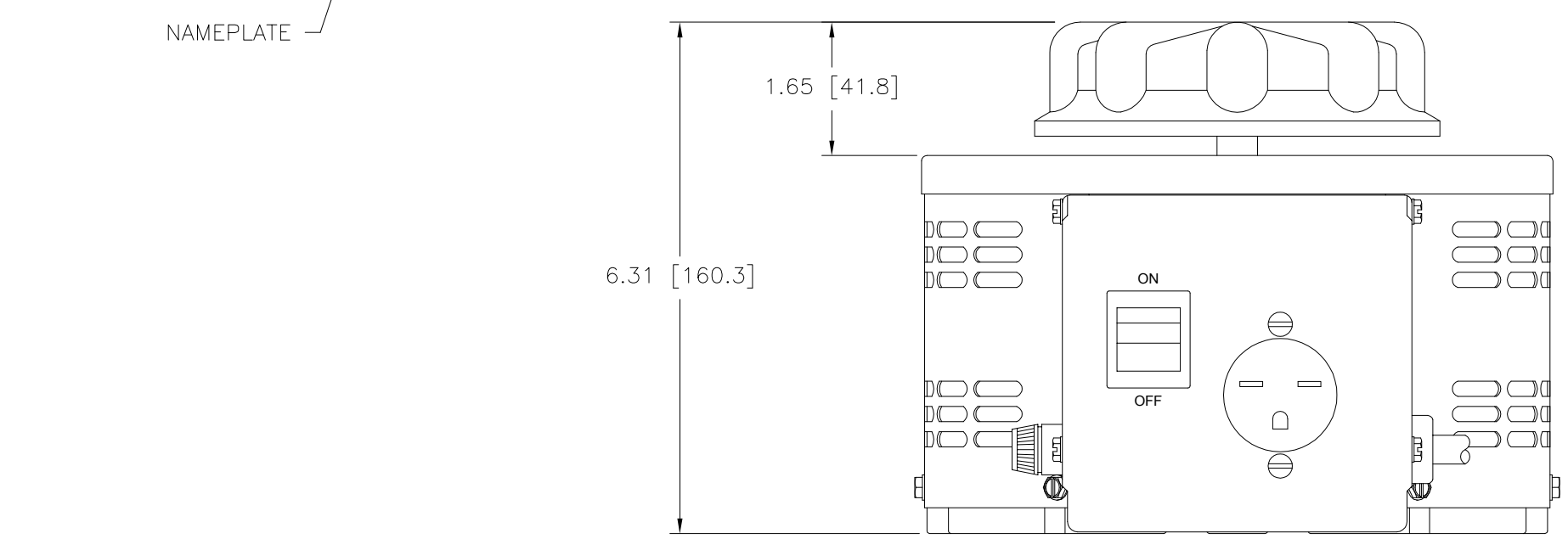
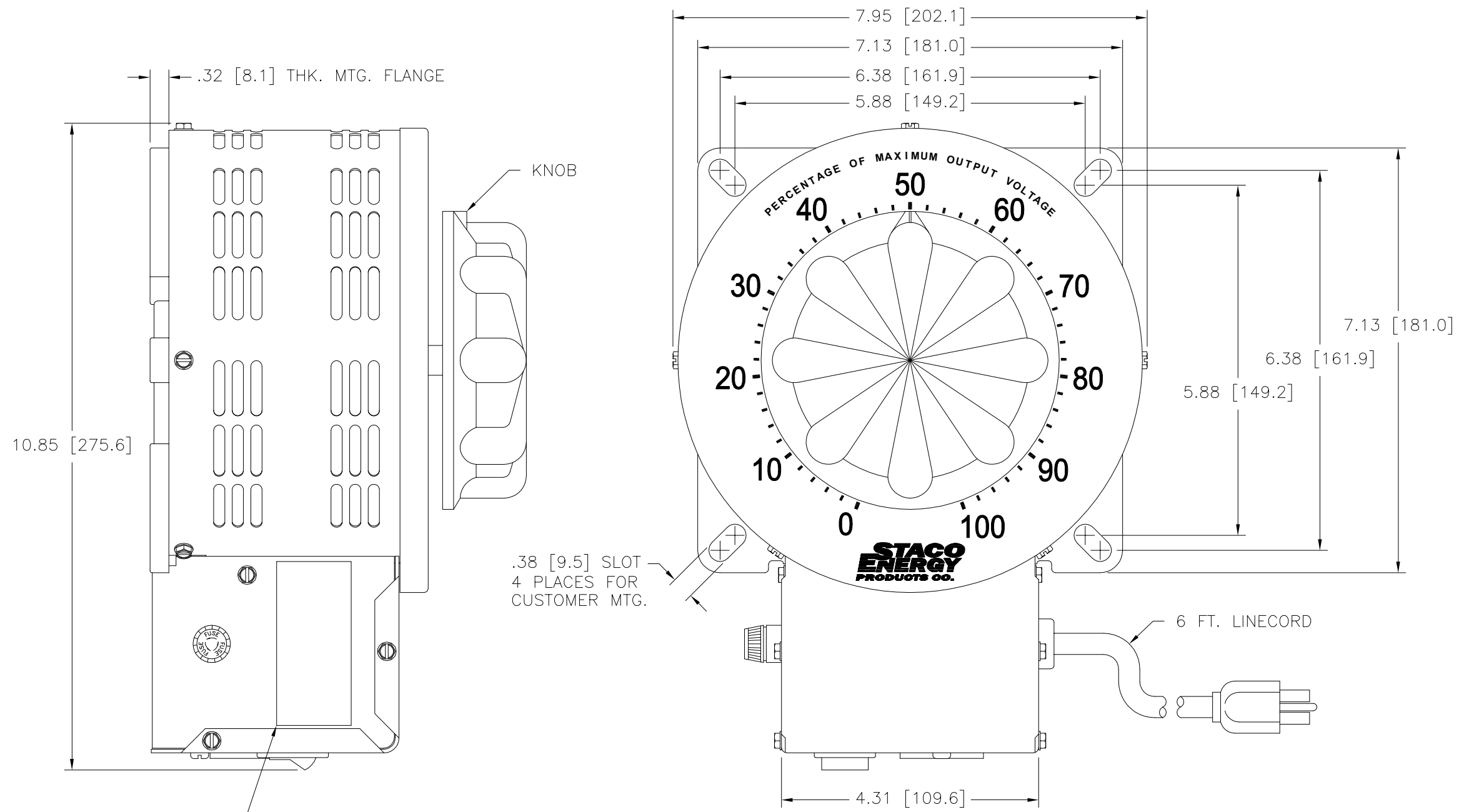
Tel: +86-755-8981 8866 Fax: +86-755-8427 6832

Email & Skype: info@chipsmall.com Web: www.chipsmall.com

Address: A1208, Overseas Decoration Building, #122 Zhenhua RD., Futian, Shenzhen, China



DWG. NO.	031-5570		
REVISIONS			
SYM.	E.C.N.	DATE	APVD.
A	25435	8/26/04	
UPDATED SILKSCREEN			



SPECIFICATIONS					
WIRING	INPUT		OUTPUT		
	VOLTS	HERTZ	VOLTS	CONSTANT CURRENT LOAD	
				MAX. AMPS	MAX. KVA
SINGLE PHASE	240	50/60	0-280	10	2.80

UNLESS OTHERWISE SPECIFIED, TOLERANCE IS ±
DECIMALS HOLES ANGLES DRAFT UNITS
.XX .0000 .01 1° 1-1/2" IN [mm]

MATERIAL: ALL DIMENSIONS APPLY AFTER PLATING

TITLE: SPEC. CONTROL DRAWING
VARIABLE TRANSFORMER
MODEL: 3PN2520B

STACO ENERGY PRODUCTS CO.
A Components Corporation of America Company
302 South Boulevard Dayton, Ohio 45402 USA

DRAWN BY	DATE	FIRST USED ON	DO NOT SCALE DWG.
S.A. SMITH	5/22/96	3PN2520B	
CHECKER	DATE	WEIGHT APPROX.	CAGE CODE
		24 LBS	83008
ENGINEER	DATE	SCALE	DWG. SIZE
		1=1	D

SHEET 1 OF 1

DWG. NO. 031-5570