



Chipsmall Limited consists of a professional team with an average of over 10 year of expertise in the distribution of electronic components. Based in Hongkong, we have already established firm and mutual-benefit business relationships with customers from,Europe,America and south Asia,supplying obsolete and hard-to-find components to meet their specific needs.

With the principle of “Quality Parts,Customers Priority,Honest Operation,and Considerate Service”,our business mainly focus on the distribution of electronic components. Line cards we deal with include Microchip,ALPS,ROHM,Xilinx,Pulse,ON,Everlight and Freescale. Main products comprise IC,Modules,Potentiometer,IC Socket,Relay,Connector.Our parts cover such applications as commercial,industrial, and automotives areas.

We are looking forward to setting up business relationship with you and hope to provide you with the best service and solution. Let us make a better world for our industry!



## Contact us

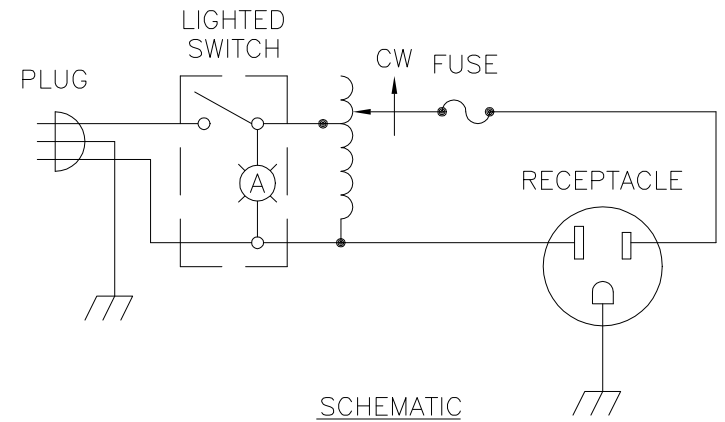
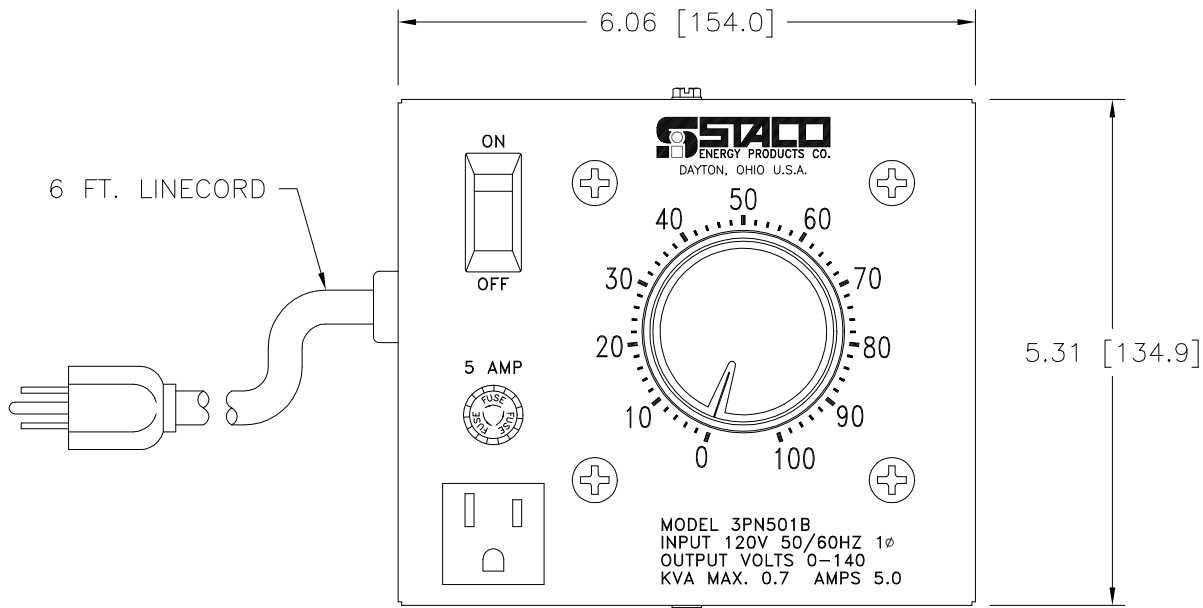
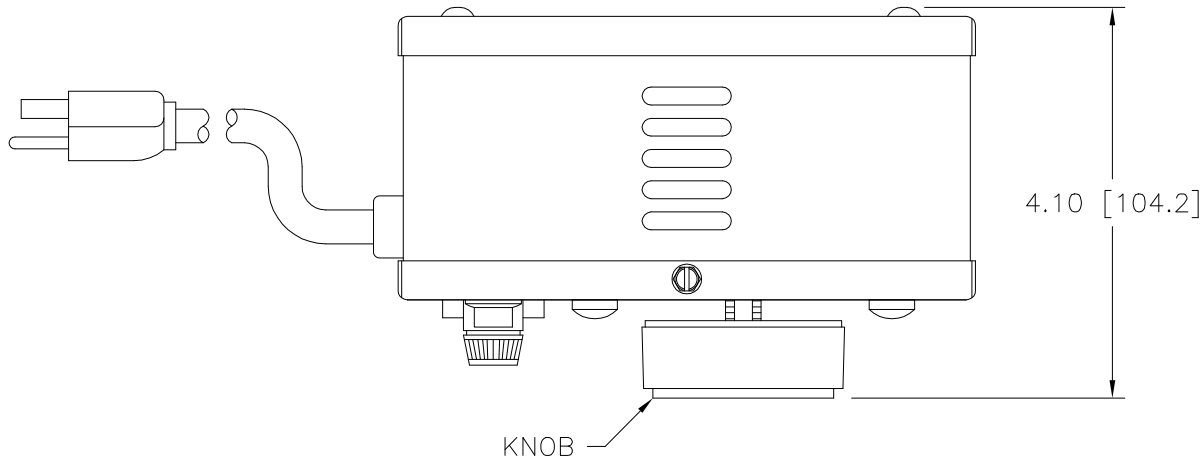
Tel: +86-755-8981 8866 Fax: +86-755-8427 6832

Email & Skype: info@chipsmall.com Web: www.chipsmall.com

Address: A1208, Overseas Decoration Building, #122 Zhenhua RD., Futian, Shenzhen, China



DWG. SIZE <b>C</b>	DWG. NO. <b>031-0835</b>		
REVISIONS			
SYM.	E.C.N.	DATE	APVD.
<b>A</b>	23948	3/26/99	CHG'D MOUNTING



SPECIFICATIONS					
WIRING	INPUT		OUTPUT		
	VOLTS	HERTZ	VOLTS	CONSTANT CURRENT LOAD	
				MAX. AMPS	MAX. KVA
SINGLE PHASE	120	50/60	0-140	5	0.7

UNLESS OTHERWISE SPECIFIED, TOLERANCE IS ±			UNITS
DECIMALS	HOLES	ANGLES	IN [mm]
.XX	.0005	.002	1°
.XXX	.005		1-1/2°
MATERIAL:			ALL DIMENSIONS APPLY AFTER PLATING
The information and design disclosed herein was originated by and is the property of STACO ENERGY PRODUCTS CO., which reserves all patent, proprietary, design, manufacturing, reproduction, use and sale rights thereto, and to any article disclosed therein except to the extent rights are expressly granted to others. The foregoing does not apply to vendor proprietary parts.			

TITLE: SPEC. CONTROL DRAWING VARIABLE TRANSFORMER MODEL: 3PN501B			
DRAWN BY S.A. SMITH	DATE 7/2/96	FIRST USED ON 3PN501B	DO NOT SCALE DWG.
CHECKER	DATE	WEIGHT APPROX. 6.25 LBS	CODE IDENT. NO. 83008
ENGINEER	DATE	SCALE 1=1	SHEET 1 OF 1

<b>STACO</b> ENERGY PRODUCTS CO. A COMPONENTS CORPORATION OF AMERICA COMPANY DAYTON, OHIO U.S.A.	
CUSTOMER APPROVAL	DATE
DWG. SIZE <b>C</b>	DWG. NO. <b>031-0835</b>