



Chipsmall Limited consists of a professional team with an average of over 10 year of expertise in the distribution of electronic components. Based in Hongkong, we have already established firm and mutual-benefit business relationships with customers from,Europe,America and south Asia,supplying obsolete and hard-to-find components to meet their specific needs.

With the principle of “Quality Parts,Customers Priority,Honest Operation,and Considerate Service”,our business mainly focus on the distribution of electronic components. Line cards we deal with include Microchip,ALPS,ROHM,Xilinx,Pulse,ON,Everlight and Freescale. Main products comprise IC,Modules,Potentiometer,IC Socket,Relay,Connector.Our parts cover such applications as commercial,industrial, and automotives areas.

We are looking forward to setting up business relationship with you and hope to provide you with the best service and solution. Let us make a better world for our industry!



Contact us

Tel: +86-755-8981 8866 Fax: +86-755-8427 6832

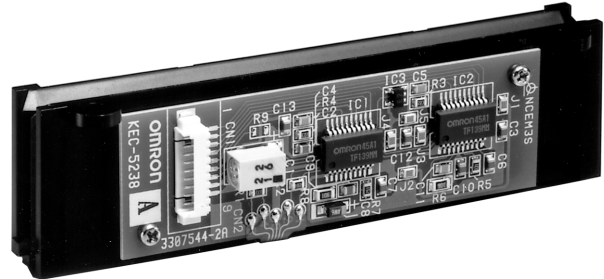
Email & Skype: info@chipsmall.com Web: www.chipsmall.com

Address: A1208, Overseas Decoration Building, #122 Zhenhua RD., Futian, Shenzhen, China



Low Power, Ultra-Compact, Manually Operated Card Reader

- Ideal for embedded keyboards
- Lightweight and ultra-compact
- Low power through use of CMOS technology
- Current save mode
- Stable operation with card swipe speeds from 10 to 120 cm/second
- TTL-compatible interface (clock & data)



Ordering Information

Magnetic Tracks Supported (R, R/W)					IC Contact	Interface	Cover	Cable	Color	Part Number
1	2	3	Center	JIS II						
R	R	—	—	—	No	TTL	No	No	Black	3S4YR-HZR6-01
—	R	R	—	—	No	TTL	No	No	Black	3S4YR-HZR7-01

■ ACCESSORIES

Description	Part Number
HZR1 cable harness	CABLE KTI-628
HZR6/7 cable harness	CABLE KTI-240

■ TYPICAL APPLICATIONS

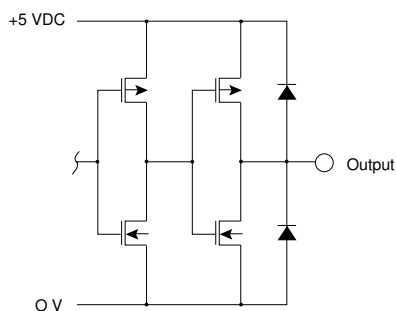
- Custom Keyboards
- Hand-held Terminals
- Point-of-Sale Systems (POS)

Specifications

Part number	3S4YR-HZR	
Recommended card type	ISO 7810, 7811/1-5, 7812, 7813	
Recording method	FM decoding (F2F)	
Card feeding speed	10 to 120 cm/sec (4 to 47 in/sec)	
Service life	300,000 passes min.	
Operating power supply	5 VDC \pm 10%	
Current consumption	Operation	6.0 mA typ., 10 mA max.
	Current save mode	2.0 mA typ., 3 mA max.
Mounting location	Anywhere not directly subject to water or sunlight.	
Ambient temperature	Operation	-10° to 55°C (14° to 131°F)
	Storage	-30° to 70°C (-22° to 158°F)
Ambient humidity	Operation	10% to 95% RH without condensation
	Storage	10% to 95% RH
Vibration	10 to 55 Hz, 2 mm double amplitude, for 30 minutes in X, Y, and Z directions.	
Shock	300 m/sec ² (30 G) in each of X, Y, and Z directions	
Dimensions	25.2L x 98.2W x 23.3H mm (0.99L x 3.87W x 0.92H in)	
Weight	Approx. 26 g (0.92 oz)	

Engineering Data

■ OUTPUT CIRCUIT DIAGRAM



Output signal levels:

$$V_{OL} = 0.4 \text{ V at } 4 \text{ mA}$$

$$V_{OH} = 3.5 \text{ V at } 1 \text{ mA}$$

■ I/O INFORMATION

Double Track Connector

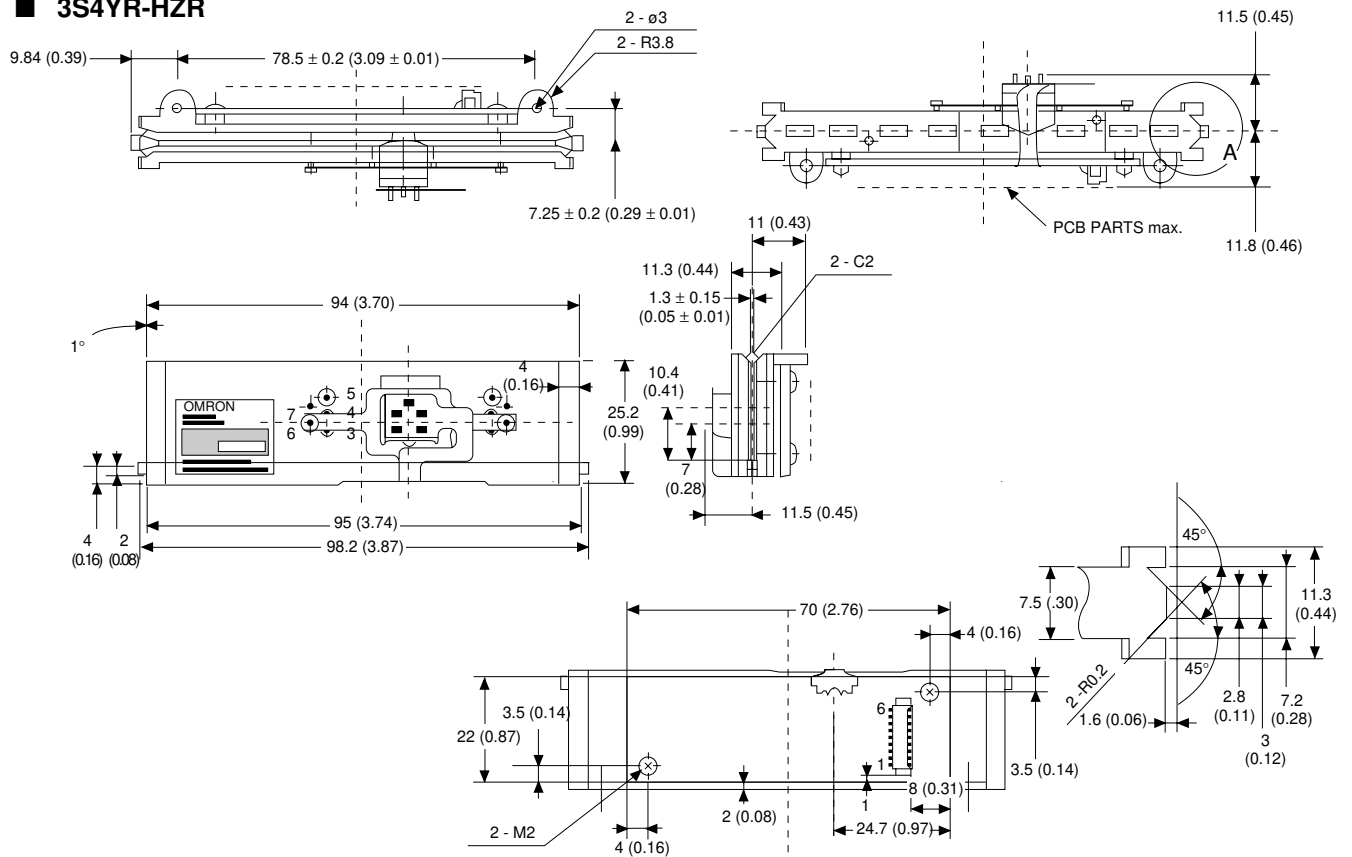
9-pin Molex connector part number 53261-0990.
 Applicable Molex socket housing part number 51021-0900.

HZR6-01, HZR7-01			
Pin #	Signal	Input/Output	Description
1	RCP1 (track 1 or 3)	Output	Read clock, track 1
2	RDP1 (track 1 or 3)	Output	Read data, track 1
3	CLS	Output	Card load
4	RCP2 (track 2)	Output	Read clock, track 2
5	RDP2 (track 2)	Output	Read data, track 2
6	C \overline{S} V	Input	Current save
7	+5VDC	—	5 VDC
8	0V	—	—
9	+5VDC	—	5 VDC

Dimensions

Unit: mm (inch)

■ 3S4YR-HZR



NOTE: DIMENSIONS SHOWN ARE IN MILLIMETERS. To convert millimeters to inches divide by 25.4.

OMRON[®]
OMRON ELECTRONICS, INC.
One East Commerce Drive
Schaumburg, IL 60173
1-800-55-OMRON

OMRON CANADA, INC.
885 Milner Avenue
Scarborough, Ontario M1B 5V8
416-286-6465