



Chipsmall Limited consists of a professional team with an average of over 10 year of expertise in the distribution of electronic components. Based in Hongkong, we have already established firm and mutual-benefit business relationships with customers from,Europe,America and south Asia,supplying obsolete and hard-to-find components to meet their specific needs.

With the principle of “Quality Parts,Customers Priority,Honest Operation,and Considerate Service”,our business mainly focus on the distribution of electronic components. Line cards we deal with include Microchip,ALPS,ROHM,Xilinx,Pulse,ON,Everlight and Freescale. Main products comprise IC,Modules,Potentiometer,IC Socket,Relay,Connector.Our parts cover such applications as commercial,industrial, and automotives areas.

We are looking forward to setting up business relationship with you and hope to provide you with the best service and solution. Let us make a better world for our industry!



Contact us

Tel: +86-755-8981 8866 Fax: +86-755-8427 6832

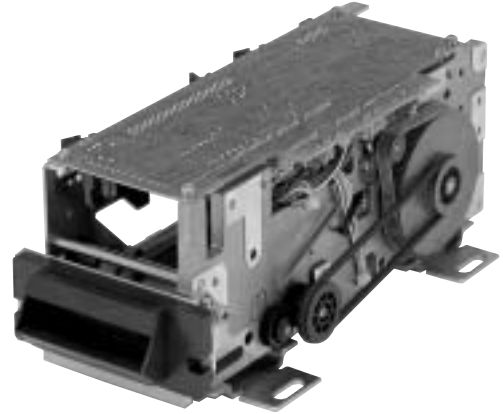
Email & Skype: info@chipsmall.com Web: www.chipsmall.com

Address: A1208, Overseas Decoration Building, #122 Zhenhua RD., Futian, Shenzhen, China



Versatile Hybrid Reader/Writer Handles Both Magnetic and IC Cards

- Durable 4-wheel, 2-belt drive with roller accommodates discrepancies in card thickness to accept warped or bent cards
- Metal blade shutter prevents tampering
- Compact size and light weight allow easy installation in any terminal
- Two integrated chip station positions available
- Adjustable to card thicknesses of 0.20 mm, 0.40 mm, and 0.76 mm (PET, paper, or PVC cards)
- HiCo write capability available



Ordering Information

Magnetic Tracks Supported (R, R/W)					IC Contact	Interface	Shutter	Cover	Cable	Color	Part Number
1	2	3	Center	JIS II							
R/W	R/W	R/W	—	—	Option	TTL	Option	No	No	Black	3S4YR-MKW1PC-01
R/W	R/W	R/W	—	—	Option	TTL	Option	No	No	Black	3S4YR-MKW1PCH
—	R/W	—	—	—	Option	TTL	Option	No	No	Black	3S4YR-MKW4PC-01
R/W	R/W	R/W	—	R/W	—	TTL	No Inlet	No	No	Black	3S4YR-MKWAPC-100

Note: Only the MKW1PCH is capable of writing HiCo cards. All models can read HiCo cards.

■ **TYPICAL APPLICATIONS**

- Cash Dispensers
- Automatic Teller Machines (ATM)
- POS Terminals
- Credit Card Checkers
- ID Card Checkers
- Electronic Lock Systems
- Medical Patient Systems
- Health Control Systems

■ **ACCESSORIES**

Description	Part Number
IC Contact, chip on the front, lower position	IC CONTACT J <small>(See note 1)</small>
IC Contact, chip on the front, upper and lower positions	IC CONTACT X <small>(See note 1)</small>
Shutter for MKW1PC-01, MKW1PCH	SHUTTER MKD7
Shutter for MKW4PC-01	SHUTTER MKD4

Note 1: Consult your Omron sales representative for IC contact accessories. Special configurations can be supplied.

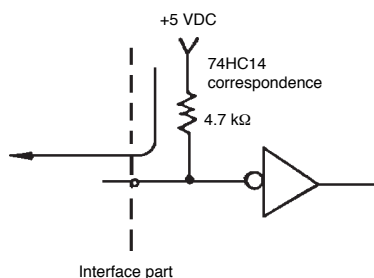
Specifications

Part number	3S4YR-MKW	
Recommended card type	Magnetic card	ISO 7810-7813
	IC card	ISO 7816/1, 2
Recording method	FM decoding (F2F)	
Card feeding speed	20 cm/sec ± 10% (7.87 in/sec)	
Motor type	DC motor	
Service life <small>(See note)</small>	1,200,000 passes min.	
Operating power supply	Amplifier	24 VDC ± 10%
	Motor	24 VDC ± 10%
	Control logic	5 VDC ± 5%
Current consumption	Amplifier	260 mA max.
	Motor	1.7 A max.
	Control logic	330 mA max.
Mounting location	Anywhere not directly subject to water or rain	
Mounting orientation	Stripe top or stripe bottom	
Ambient temperature	Operation	-5° to 55°C (23° to 131°F)
	Storage	-25° to 70°C (-13° to 158°F)
Ambient humidity	Operation	45% to 85% RH without condensation
	Storage	30% to 90% RH
Vibration	10 to 55 Hz, 2 mm double amplitude, for 30 minutes in X, Y, and Z directions	
Shock	300 m/sec ² (30 G) in each of X, Y, and Z directions	
Dimensions	With shutter	247L x 106W x 92H mm (9.72L x 4.17W x 3.62H in)
	Without shutter	222L x 98W x 92H mm (8.74L x 3.86W x 3.62H in)
Weight	Approx. 1.9 kg (4.2 lbs) when fully equipped	

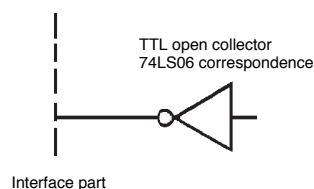
Note: One pass denotes one round trip.

Engineering Data

■ INPUT CIRCUIT DIAGRAM



■ OUTPUT CIRCUIT DIAGRAM



■ I/O INFORMATION

3S4YR-MKW
Connector of Magnetic Card (CN1 Signal)

3M 3433-5302JL. Mate: 3M 3425-6550EL.

Pin #	Signal	Input/Output	Pin #	Signal	Input/Output
1	+5 VDC	—	26	$\overline{S1}$	Output
2	+5 VDC	—	27	$\overline{S2}$	Output
3	0 V	—	28	$\overline{S3}$	Output
4	0 V	—	29	$\overline{S4}$	Output
5	P24V	—	30	\overline{STW}	Output
6	P24V	—	31	$\overline{RCP1}$	Output
7	P0V	—	32	$\overline{RDP1}$	Output
8	P0V	—	33	$\overline{RCP2}$	Output
9	\overline{MFW}	Input	34	$\overline{RDP2}$	Output
10	\overline{MRV}	Input	35	$\overline{RCP3}$	Output
11	$\overline{SOL1}$	Input	36	$\overline{RDP3}$	Output
12	—	—	37	$\overline{RCP4}$	Output
13	—	—	38	$\overline{RDP4}$	Output
14	—	—	39	$\overline{WCP1}$	Output
15	—	—	40	$\overline{WCP2}$	Output
16	—	—	41	$\overline{WDT1}$	Input
17	\overline{WEN}	Input	42	$\overline{CNT1}$	Input
18	—	—	43	$\overline{WDT2}$	Input
19	\overline{RCPS}	—	44	$\overline{CNT2}$	Input
20	$\overline{RDP5}$	—	45	$\overline{WDT3}$	Input
21	$\overline{SHD1}$	Output	46	$\overline{CNT3}$	Input
22	\overline{WDV}	Output	47	$\overline{WDT4}$	Input
23	\overline{SHE}	Output	48	$\overline{CNT4}$	Input
24	\overline{WID}	Output	49	+24 VDC	—
25	$\overline{S0}$	Output	50	+24 VDC	—

3S4YR-MKW
Connector of IC Card (CN2 Signal)

3M 3408-5302JL. Mate: 3M 3452-6516EL.

Pin #	Signal	Input/Output	Pin #	Signal	Input/Output
1	IVCC	◆	9	IRS1	◆
2	IRST	◆	10	IRS2	◆
3	ICIO	◆	11	\overline{IECO}	Input
4	IGND	◆	12	—	—
5	—	—	13	\overline{IMSL}	Input
6	ICKL	◆	14	\overline{ISOL}	Input
7	IVCC	◆	15	+5 VDC	—
8	IVPP	◆	16	0 V	—

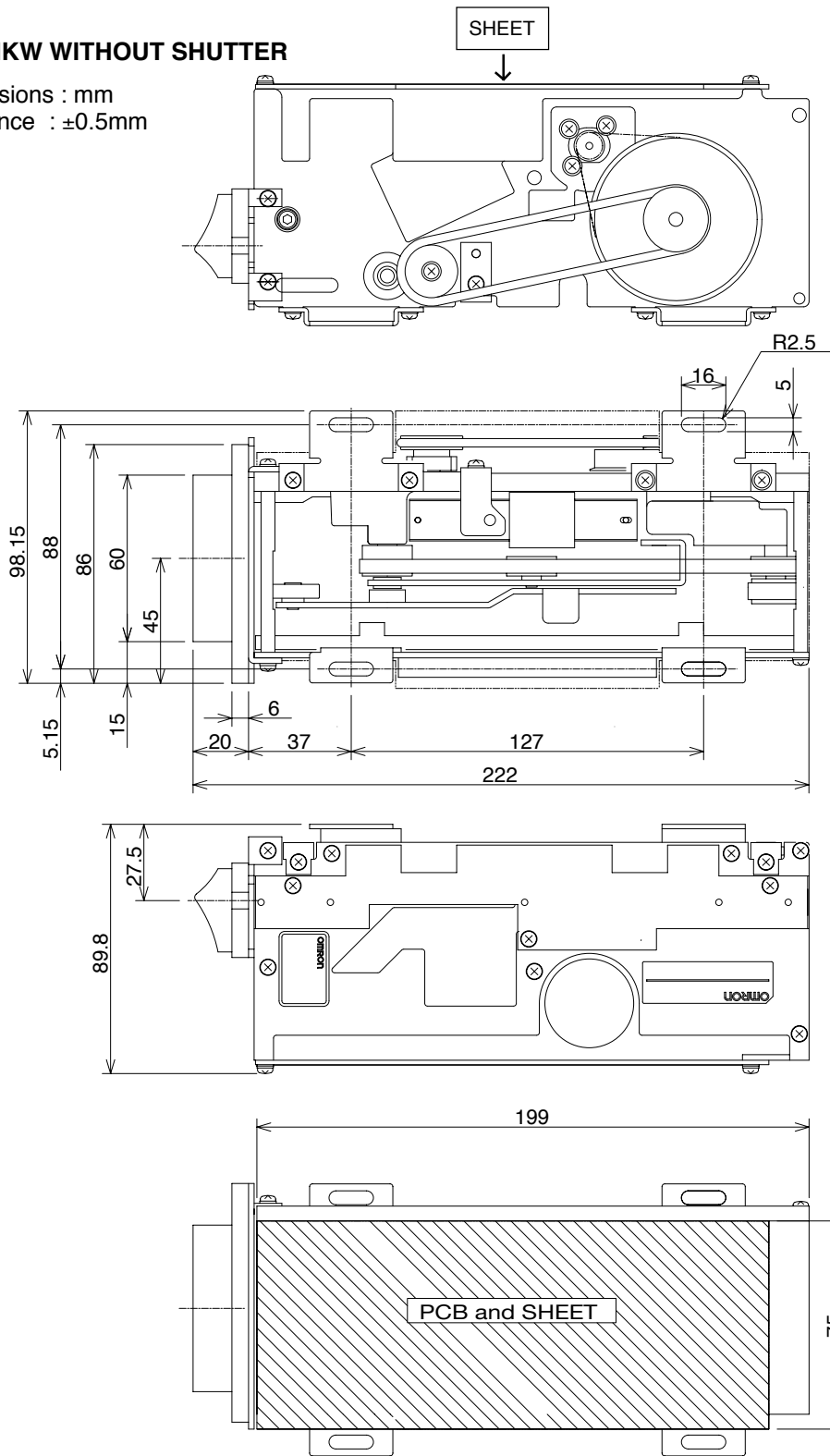
◆ = Direct IC Contact

Dimensions

Unit: mm (inch)

■ 3S4YR-MKW WITHOUT SHUTTER

Dimensions : mm
Tolerance : ±0.5mm



Card Business Promotion Division
Card Reader Components Dept.
©OMRON Corporation
Gate City Ohsaki, West Tower 14F 1-1-1, Ohsaki, Shinagawa-Ku Tokyo, 141-0032 JAPAN
TEL. 81-3-5435-2012 FAX. 81-3-5435-2017

URL : <http://www.omron.com/card/cardreader>

Contact our nearest representative at