



Chipsmall Limited consists of a professional team with an average of over 10 year of expertise in the distribution of electronic components. Based in Hongkong, we have already established firm and mutual-benefit business relationships with customers from,Europe,America and south Asia,supplying obsolete and hard-to-find components to meet their specific needs.

With the principle of “Quality Parts,Customers Priority,Honest Operation,and Considerate Service”,our business mainly focus on the distribution of electronic components. Line cards we deal with include Microchip,ALPS,ROHM,Xilinx,Pulse,ON,Everlight and Freescale. Main products comprise IC,Modules,Potentiometer,IC Socket,Relay,Connector.Our parts cover such applications as commercial,industrial, and automotives areas.

We are looking forward to setting up business relationship with you and hope to provide you with the best service and solution. Let us make a better world for our industry!



Contact us

Tel: +86-755-8981 8866 Fax: +86-755-8427 6832

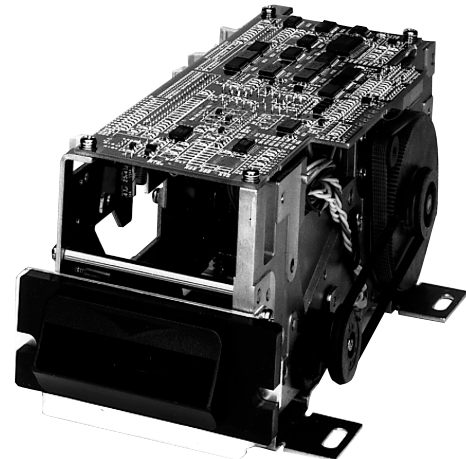
Email & Skype: info@chipsmall.com Web: www.chipsmall.com

Address: A1208, Overseas Decoration Building, #122 Zhenhua RD., Futian, Shenzhen, China



Versatile Hybrid Reader/Writer Handles Both Magnetic and IC Cards

- Durable 4-wheel, 2-belt drive with roller accommodates discrepancies in card thickness to accept warped or bent cards
- Metal blade shutter prevents tampering
- Compact size and light weight allow easy installation in any terminal
- Two integrated chip station positions available
- Adjustable to card thicknesses of 0.20 mm, 0.40 mm, and 0.76 mm (PET, paper, or PVC cards)
- HiCo write capability available
- Watermark capability available



Ordering Information

Magnetic Tracks Supported (R, R/W)					IC Contact	Interface	Shutter	Cover	Cable	Color	Part Number
1	2	3	Center	JIS II							
R/W	R/W	R/W	—	—	ISO 7816	TTL	Yes	No	No	Black	3S4YR-MKW1JD
R/W	R/W	R/W	—	—	ISO 7816/CP8	TTL	Yes	No	No	Black	3S4YR-MKW1XD
R/W	R/W	R/W	—	—	Option	TTL	Option	No	No	Black	3S4YR-MKW1PC
R/W	R/W	R/W	—	—	Option	TTL	Option	No	No	Black	3S4YR-MKW1PCH
R/W	R/W	R/W	—	—	Option	TTL	Yes	No	No	Black	3S4YR-MKW1PD
R/W	—	—	—	—	Option	TTL	Option	No	No	Black	3S4YR-MKW3PC
—	R/W	—	—	—	Option	TTL	Option	No	No	Black	3S4YR-MKW4PC
—	R/W	—	—	—	Option	TTL	Option	No	No	Black	3S4YR-MKW4PCH
—	R/W	—	—	—	Option	TTL	Yes	No	No	Black	3S4YR-MKW4PD
—	—	R/W	—	—	Option	TTL	Option	No	No	Black	3S4YR-MKW5PC
R/W	R/W	—	—	—	Option	TTL	Option	No	No	Black	3S4YR-MKW6PC
—	R/W	R/W	—	—	Option	TTL	Option	No	No	Black	3S4YR-MKW7PC

Note: Only the MKW1PCH and MKW4PCH are capable of writing HiCo cards. All models can read HiCo cards.

■ **TYPICAL APPLICATIONS**

- Cash Dispensers
- Automatic Teller Machines (ATM)
- POS Terminals
- Credit Card Checkers
- ID Card Checkers
- Electronic Lock Systems
- Medical Patient Systems
- Health Control Systems

■ **ACCESSORIES**

Description	Part Number
IC Contact, chip on the front, lower position	IC CONTACT J (See note 1)
IC Contact, chip on the front, upper and lower positions	IC CONTACT X (See note 1)
Shutter for MKW1PC, MKW1PCH, MKFW1PC	SHUTTER MKD1
Shutter for MKW3PC	SHUTTER MK3
Shutter for MKW4PC, MKW4PCH	SHUTTER MK4
Shutter for MKW5PC	SHUTTER MK5
Shutter for MKW6PC	SHUTTER MK6
Shutter for MKW7PC	SHUTTER MK7
MM Sensor Holder (MM sensor itself must be purchased from the manufacturer.)	MM HOLDER
Watermark Reader Head. Cannot be used to write track 1.	WATERMARK HEAD (See note 2)
Watermark Circuit Board. Cannot be used to write track 1.	WATERMARK PCB (See note 2)

Note 1: Consult your Omron sales representative for IC contact accessories. Special configurations can be supplied.

2: Watermark Reader Head and Watermark Circuit Board must be ordered together.

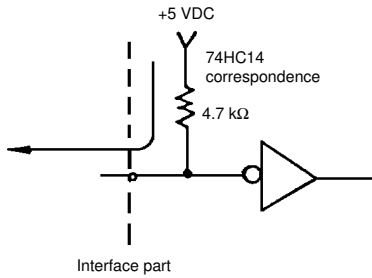
Specifications

Part number	3S4YR-MKW	
Recommended card type	Magnetic card	ISO 7810-7813
	IC card	ISO 7816/1, 2
Recording method	FM decoding (F2F)	
Card feeding speed	20 cm/sec ± 10% (7.87 in/sec)	
Motor type	DC motor	
Service life (See note)	1,200,000 passes min.	
Operating power supply	Amplifier	24 VDC ± 10%
	Motor	24 VDC ± 10%
	Control logic	5 VDC ± 5%
Current consumption	Amplifier	260 mA max.
	Motor	1.7 A max.
	Control logic	330 mA max.
Mounting location	Anywhere not directly subject to water or rain	
Mounting orientation	Stripe top or stripe bottom	
Ambient temperature	Operation	-5° to 55°C (23° to 131°F)
	Storage	-25° to 70°C (-13° to 158°F)
Ambient humidity	Operation	45% to 85% RH without condensation
	Storage	30% to 90% RH
Vibration	10 to 55 Hz, 2 mm double amplitude, for 30 minutes in X, Y, and Z directions	
Shock	300 m/sec ² (30 G) in each of X, Y, and Z directions	
Dimensions	With shutter	247L x 106W x 92H mm (9.72L x 4.17W x 3.62H in)
	Without shutter	222L x 98W x 92H mm (8.74L x 3.86W x 3.62H in)
Weight	Approx. 1.9 kg (4.2 lbs) when fully equipped	

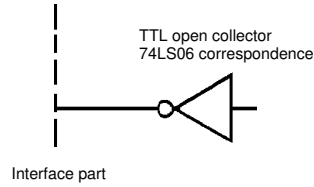
Note: One pass denotes one round trip.

Engineering Data

■ INPUT CIRCUIT DIAGRAM



■ OUTPUT CIRCUIT DIAGRAM



■ I/O INFORMATION

3S4YR-MKW Connector of Magnetic Card (CN1 Signal)

3M 3433-5302JL. Mate: 3M 3425-6550EL.

Pin #	Signal	Input/Output	Pin #	Signal	Input/Output
1	+5 VDC	—	26	S1	Output
2	+5 VDC	—	27	S2	Output
3	0 V	—	28	S3	Output
4	0 V	—	29	S4	Output
5	P24V	—	30	STW	Output
6	P24V	—	31	RCP1	Output
7	P0V	—	32	RDP1	Output
8	P0V	—	33	RCP2	Output
9	MFW	Input	34	RDP2	Output
10	MRV	Input	35	RCP3	Output
11	SOL1	Input	36	RDP3	Output
12	—	—	37	RCP4	Output
13	—	—	38	RDP4	Output
14	—	—	39	WCP1	Output
15	—	—	40	WCP2	Output
16	—	—	41	WDT1	Input
17	WEN	Input	42	CNT1	Input
18	—	—	43	WDT2	Input
19	RCPS	—	44	CNT2	Input
20	RDP5	—	45	WDT3	Input
21	SHD1	Output	46	CNT3	Input
22	WDV	Output	47	WDT4	Input
23	SHE	Output	48	CNT4	Input
24	WID	Output	49	+24 VDC	—
25	S0	Output	50	+24 VDC	—

3S4YR-MKW Connector of IC Card (CN2 Signal)

3M 3408-5302JL. Mate: 3M 3452-6516EL.

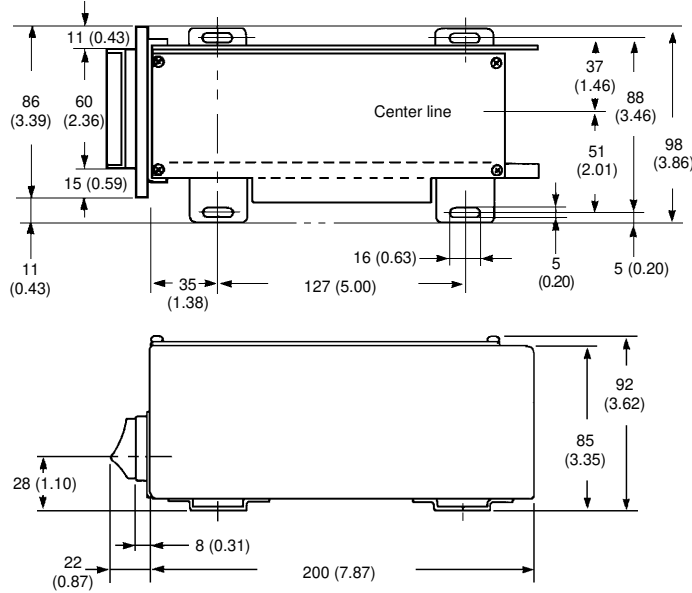
Pin #	Signal	Input/Output	Pin #	Signal	Input/Output
1	IVCC	◆	9	IRS1	◆
2	IRST	◆	10	IRS2	◆
3	ICIO	◆	11	IECO	Input
4	IGND	◆	12	—	—
5	—	—	13	IMSL	Input
6	ICKL	◆	14	ISOL	Input
7	IVCC	◆	15	+5 VDC	—
8	IVPP	◆	16	0 V	—

◆ = Direct IC Contact

Dimensions

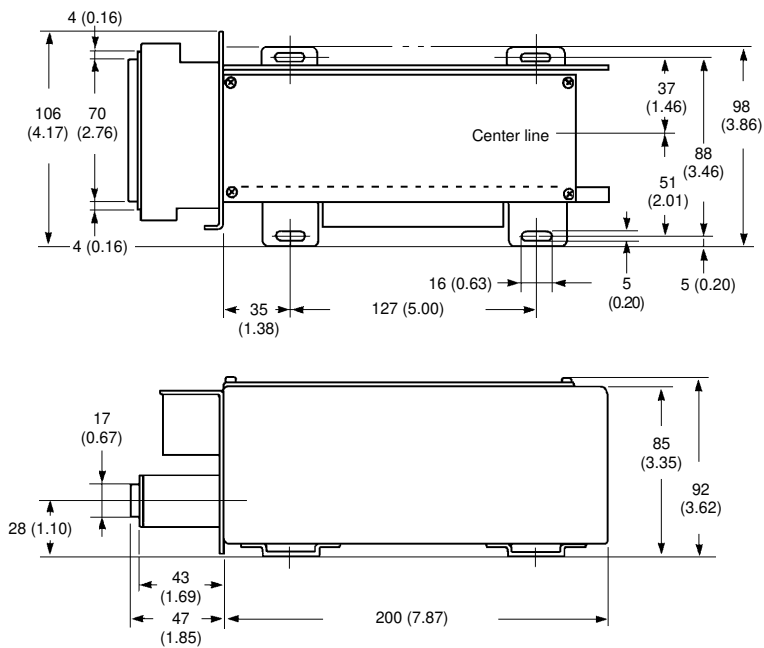
Unit: mm (inch)

■ 3S4YR-MKW WITHOUT SHUTTER



Stripe down shown.
Can be mounted with
stripe up.

■ 3S4YR-MKW WITH SHUTTER



Stripe down shown.
Can be mounted with
stripe up.

Note: Unless otherwise specified, tolerance is ± 0.3 .

NOTE: DIMENSIONS ARE SHOWN IN MILLIMETERS. To convert millimeters to inches divide by 25.4.

OMRON

OMRON ELECTRONICS, INC.

One East Commerce Drive
Schaumburg, IL 60173

1-800-55-OMRON

OMRON CANADA, INC.

885 Milner Avenue
Scarborough, Ontario M1B 5V8

416-286-6465