



Chipsmall Limited consists of a professional team with an average of over 10 year of expertise in the distribution of electronic components. Based in Hongkong, we have already established firm and mutual-benefit business relationships with customers from,Europe,America and south Asia,supplying obsolete and hard-to-find components to meet their specific needs.

With the principle of “Quality Parts,Customers Priority,Honest Operation,and Considerate Service”,our business mainly focus on the distribution of electronic components. Line cards we deal with include Microchip,ALPS,ROHM,Xilinx,Pulse,ON,Everlight and Freescale. Main products comprise IC,Modules,Potentiometer,IC Socket,Relay,Connector.Our parts cover such applications as commercial,industrial, and automotives areas.

We are looking forward to setting up business relationship with you and hope to provide you with the best service and solution. Let us make a better world for our industry!



Contact us

Tel: +86-755-8981 8866 Fax: +86-755-8427 6832

Email & Skype: info@chipsmall.com Web: www.chipsmall.com

Address: A1208, Overseas Decoration Building, #122 Zhenhua RD., Futian, Shenzhen, China



Type 3SB/3SBP

Slow Blow Fuse Series

HF Pb 3SB/3SBP Series, 6x32mm Glass Tube Slow Blow Fuse RoHS 6 Compliant

Description

6x32mm Slow Blow, glass tube body cartridge fuse designed, approved and complied with UL and CSA standard 248-14.

Features

- Meet UL and CSA standard 248-14
- Wide operating temperature range
- Bulk packing available
- RoHS 6 compliant
- Halogen Free
- Leadfree

Applications

Provide individual protection for components or internal circuits.

- Power supplies
- Battery charger
- Monitor
- Adapter

LEAD FREE = 
HALOGEN FREE = 






Physical Specifications

Materials	Body : Glass
	Cap : Nickel Plated Brass Caps
	Leads : Matte Tin Plated Copper
Marking	On Fuse :
	"bel", "3SB", "Current Rating", "Voltage Rating",
	"Appropriate Safety Logos", "✓" (RoHS 6 compliant)
	On Label :
	"bel", "3SB" or "3SBP", "Current Rating", "Voltage Rating", "Interrupting Rating", "Appropriate Safety Logos" and "M", "G" (China RoHS compliant).

Electrical Characteristics (UL / CSA STD.248-14)

Testing Current	Blow Time	
	Minimum	Maximum
100%	4 Hrs.	N/A
135%	N/A	1 Hr
200%	5 sec	30 sec

Safety Agency Approvals

SAFETY AGENCY	SAFETY AGENCY CERTIFICATE NUMBER	VOLTAGE RATING (V)	AMPERE RANGE / VOLT @ I.R. ABILITY*
	E20624	63mA - 8A / 250V AC 8.1A - 15A / 125V AC	63mA - 8A / 125V AC@ 10,000A 63mA - 8A / 250V AC@ 200A 8.1A - 15A / 125V AC@ 10,000A
	LR39772		63mA - 1A / 250V AC@ 35A >1A - 3.5A / 250V AC@ 100A >3.5A - 8A / 250V AC@ 200A 8.1A - 15A / 125V AC@ 10,000A
	JET1037-31003-1010 JET1037-31003-1011 JET1037-31003-1007		1A - 5A / 125V AC @ 500A >5A - 15A / 125V AC@ 300A

* I.R. = INTERRUPTING RATING = SHORT CIRCUIT RATING (AMPS)

Specifications subject to change without notice



Bel Fuse Inc.
206 Van Vorst Street
Jersey City, NJ 07302 USA

+1 201.432.0463
Bel.US.CS@belf.com
belfuse.com/circuit-protection

Type 3SB/3SBP

Slow Blow Fuse Series

HF Pb 3SB/3SBP Series, 6x32mm Glass Tube Slow Blow Fuse RoHS 6 Compliant

Environmental Specifications

Shock Resistance	MIL-STD-202G, Method 213B, Test Condition 1 (100 G's peak for 6 milliseconds; Sawtooth waveform)
Vibration Resistance	MIL-STD-202G, Method 201A(10-55 Hz, 0.06 inch, total excursion).
Salt Spray Resistance	MIL-STD-202G, Method 101E, Test Condition B(48 hrs).
Insulation Resistance	MIL-STD-202G, Method 302, Test Condition A (After Opening) 10, 000 ohms minimum.
Solderability	MIL-STD-202G, Method 208H
Resistance to solder Heat	MIL-STD-202G, Method 210F, Test Condition B.(260+/-5 °C,10+/-1 sec)
Thermal Shock	MIL-STD-202G, Method 107G, Test Condition B (-65 °C to +125 °C).
Operating Temperature	-55 °C to +125 °C
Terminal Strength	IEC-68-2-21

Electrical Specifications

Catalog Number	Ampere Rating	Typical Cold Resistance (ohm)	Volt-drop @100% In (Volt) max.	Voltage and Interrupting Ratings	Melting I ² T <10 mSec (A ² Sec)	Melting I ² T @10 In (A ² Sec)	Maximum Power Dissipation (W)	Agency Approvals		
								UL	SP	CS
3SB (P) 63-R	63mA	75.5	7.33	See Table of Safety Approvals on Page 1 for Voltage and associated Interrupting Ratings	0.09	0.10	0.7	Y	Y	
3SB (P) 80-R	80mA	48.4	6.27		0.13	0.15	0.7	Y	Y	
3SB (P) 100-R	100mA	29.4	4.41		0.21	0.24	0.5	Y	Y	
3SB (P) 125-R	125mA	17.5	3.45		0.32	0.37	0.6	Y	Y	
3SB (P) 160-R	160mA	12.3	3.13		0.50	0.58	0.6	Y	Y	
3SB (P) 200-R	200mA	7.1	2.13		0.77	0.91	0.6	Y	Y	
3SB (P) 250-R	250mA	5.0	1.97		1.2	1.4	0.6	Y	Y	
3SB (P) 300-R	300mA	3.2	1.52		1.9	2.2	0.7	Y	Y	
3SB (P) 375-R	375mA	2.14	1.26		2.6	3.2	0.7	Y	Y	
3SB (P) 500-R	500mA	1.38	1.07		4.4	5.4	0.8	Y	Y	
3SB (P) 750-R	750mA	0.642	0.68		9	10	0.8	Y	Y	
3SB (P) 1-R	1A	0.374	0.59		16	21	0.9	Y	Y	Y
3SB (P) 1.25-R	1.25A	0.248	0.43		25	32	0.9	Y	Y	Y
3SB (P) 1.6-R	1.6A	0.155	0.38		39	50	1.0	Y	Y	Y
3SB (P) 2-R	2A	0.115	0.36		61	79	1.0	Y	Y	Y
3SB (P) 2.5-R	2.5A	0.079	0.29		94	123	1.1	Y	Y	Y
3SB (P) 3-R	3A	0.058	0.27		146	192	1.1	Y	Y	Y
3SB (P) 4-R	4A	0.039	0.23		226	300	1.2	Y	Y	Y
3SB (P) 5-R	5A	0.029	0.22		349	469	1.3	Y	Y	Y
3SB (P) 6-R	6A	0.018	0.19		286	455	1.6	Y	Y	Y
3SB (P) 7-R	7A	0.016	0.18		372	592	1.8	Y	Y	Y
3SB (P) 8-R	8A	0.013	0.17		483	769	1.9	Y	Y	Y
3SB (P) 10-R	10A	0.010	0.17		817	1300	2.3	Y	Y	Y
3SB (P) 12-R	12A	0.008	0.15		1277	2031	2.6	Y	Y	Y
3SB (P) 15-R	15A	0.006	0.15		2123	3377	3.0	Y	Y	Y

Consult manufacturer for other ratings

Specifications subject to change without notice



Bel Fuse Inc. +1 201.432.0463
 206 Van Vorst Street Bel.US.CS@belf.com
 Jersey City, NJ 07302 USA belfuse.com/circuit-protection

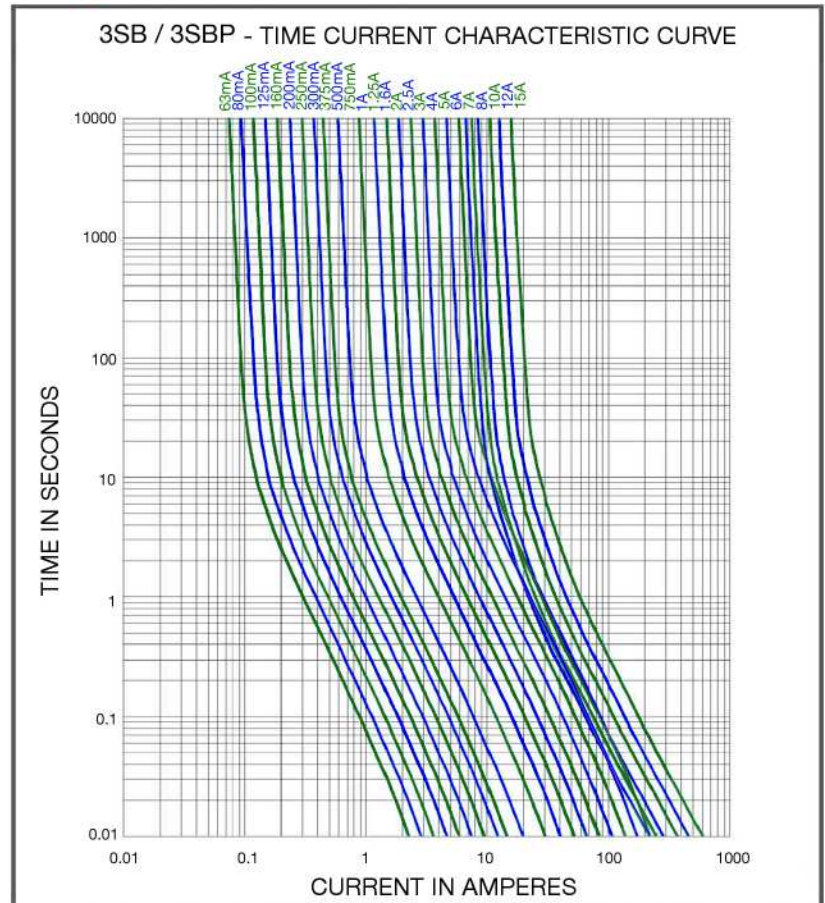
Type 3SB/3SBP

Slow Blow Fuse Series

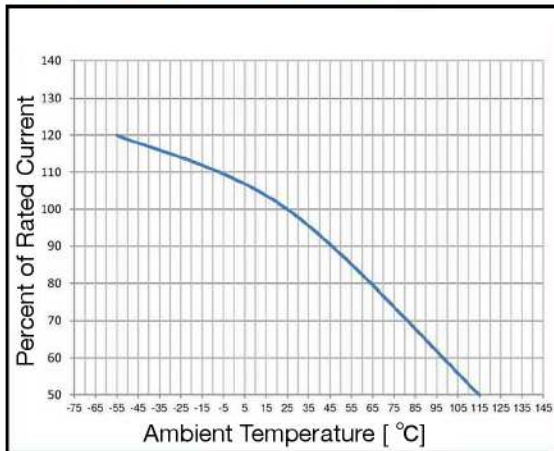
HF Pb 3SB/3SBP Series, 6x32mm Glass Tube Slow Blow Fuse

RoHS 6 Compliant

Average Time Current Curve

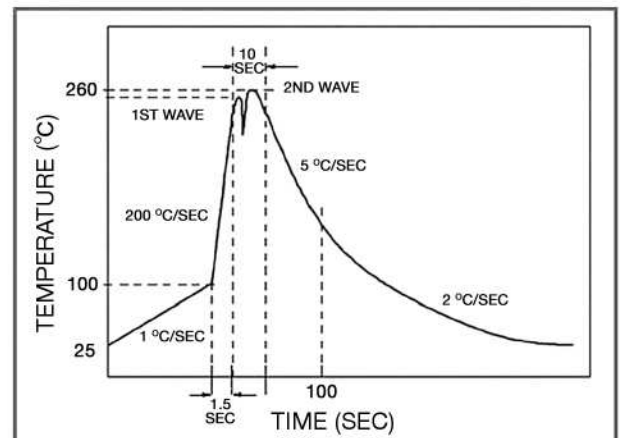


Temperature Derating Curve



Soldering Parameters

Lead-free Wave Soldering Profile	
Wave Soldering Parameter	
Average ramp-up rate	200 °C / second
Heating rate during preheat	typical 1 - 2 °C / second Max 4 °C / second
Final preheat temperature	within 125 °C of soldering temperature
Peak temperature Tp	260 °C
Time within +0 °C / -5 °C of actual peak temperature	10 seconds
Ramp-down rate	5 °C / second max.



Specifications subject to change without notice



Bel Fuse Inc.
206 Van Vorst Street
Jersey City, NJ 07302 USA

+1 201.432.0463
Bel.US.CS@belf.com
belfuse.com/circuit-protection

Type 3SB/3SBP

Slow Blow Fuse Series

HF  3SB/3SBP Series, 6x32mm Glass Tube Slow Blow Fuse

RoHS 6 Compliant

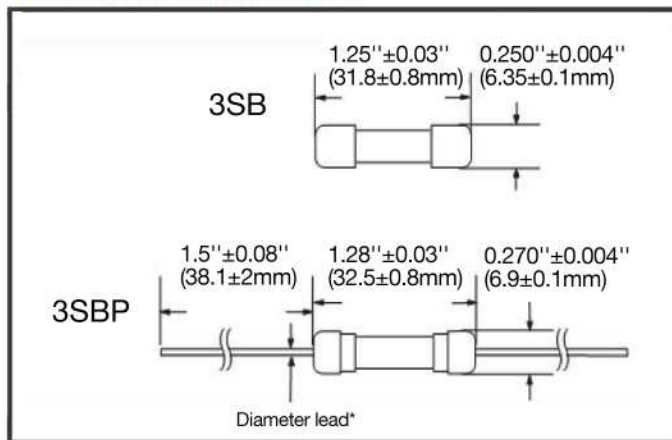
3SB(P) Fuse FGNO Explanation 06X2 R [XXX1] - XX

0602R=3SB/0612R=3SBP; [XXX1]=Ampere Rating; XX=See Ordering Information as below

Catalog number	FGNO / Order Number	
	3SB	3SBP
3SB (P) 63-R	0602R0061-33	0612R0061-33
3SB (P) 80-R	0602R0081-33	0612R0081-33
3SB (P) 100-R	0602R0101-33	0612R0101-33
3SB (P) 125-R	0602R0121-33	0612R0121-33
3SB (P) 160-R	0602R0161-33	0612R0161-33
3SB (P) 200-R	0602R0201-33	0612R0201-33
3SB (P) 250-R	0602R0251-33	0612R0251-33
3SB (P) 300-R	0602R0301-33	0612R0301-33
3SB (P) 375-R	0602R0371-33	0612R0371-33
3SB (P) 500-R	0602R0501-33	0612R0501-33
3SB (P) 750-R	0602R0751-33	0612R0751-33

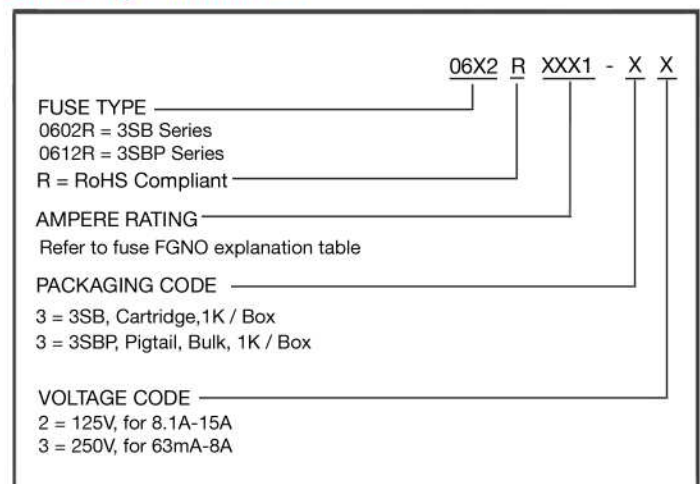
Catalog number	FGNO / Order Number	
	3SB	3SBP
3SB (P) 1-R	0602R1001-33	0612R1001-33
3SB (P) 1.25-R	0602R1251-33	0612R1251-33
3SB (P) 1.6-R	0602R1601-33	0612R1601-33
3SB (P) 2-R	0602R2001-33	0612R2001-33
3SB (P) 2.5-R	0602R2501-33	0612R2501-33
3SB (P) 3-R	0602R3001-33	0612R3001-33
3SB (P) 4-R	0602R4001-33	0612R4001-33
3SB (P) 5-R	0602R5001-33	0612R5001-33
3SB (P) 6-R	0602R6001-33	0612R6001-33
3SB (P) 7-R	0602R7001-33	0612R7001-33
3SB (P) 8-R	0602R8001-33	0612R8001-33
3SB (P) 10-R	0602R9101-32	0612R9101-32
3SB (P) 12-R	0602R9121-32	0612R9121-32
3SB (P) 15-R	0602R9151-32	0612R9151-32

Mechanical Dimensions



*Ratings 5A and less have 0.032" diameter lead;
Ratings 6A and above have 0.040" diameter lead.

Ordering Information



Packaging

Packaging Option	Packaging Specification	Quantity	Packaging Code	Inside Tape Spacing
Bulk	N/A	1000	33 / 32	N/A
Bulk (Pigtail Type)	N/A	1000	33 / 32	N/A

Specifications subject to change without notice



Bel Fuse Inc.
206 Van Vorst Street
Jersey City, NJ 07302 USA

+1 201.432.0463
Bel.US.CS@belf.com
belfuse.com/circuit-protection