



Chipsmall Limited consists of a professional team with an average of over 10 year of expertise in the distribution of electronic components. Based in Hongkong, we have already established firm and mutual-benefit business relationships with customers from,Europe,America and south Asia,supplying obsolete and hard-to-find components to meet their specific needs.

With the principle of “Quality Parts,Customers Priority,Honest Operation,and Considerate Service”,our business mainly focus on the distribution of electronic components. Line cards we deal with include Microchip,ALPS,ROHM,Xilinx,Pulse,ON,Everlight and Freescale. Main products comprise IC,Modules,Potentiometer,IC Socket,Relay,Connector.Our parts cover such applications as commercial,industrial, and automotives areas.

We are looking forward to setting up business relationship with you and hope to provide you with the best service and solution. Let us make a better world for our industry!



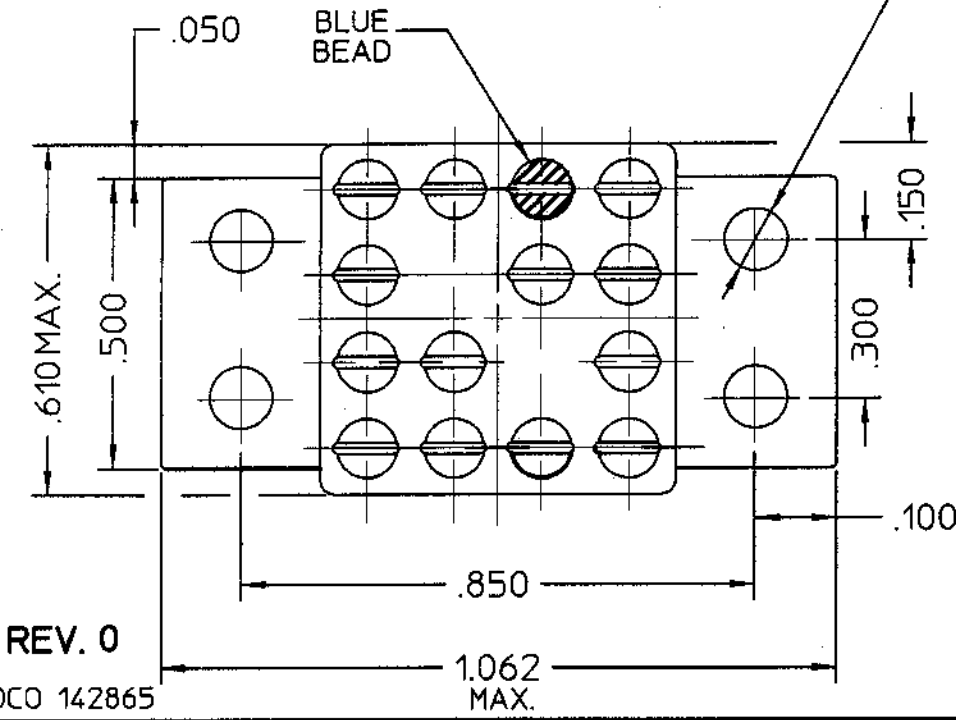
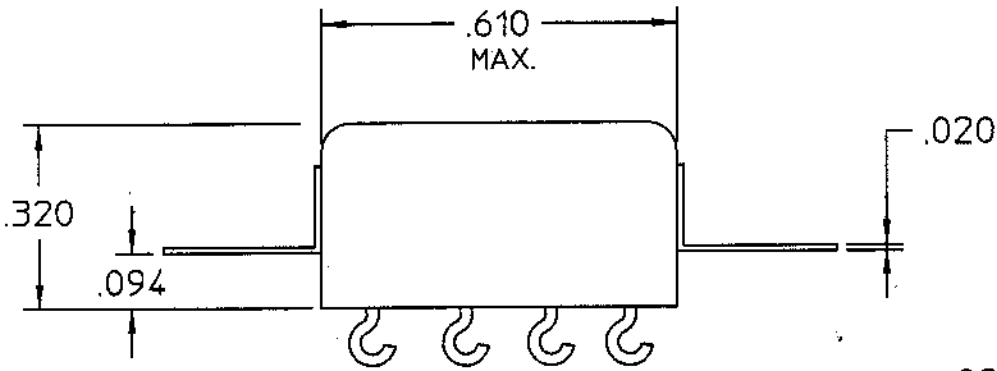
Contact us

Tel: +86-755-8981 8866 Fax: +86-755-8427 6832

Email & Skype: info@chipsmall.com Web: www.chipsmall.com

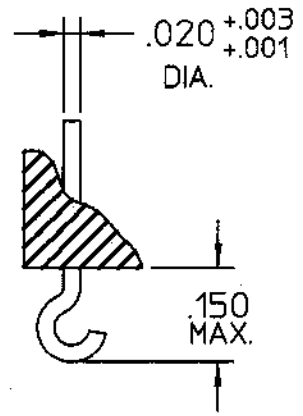
Address: A1208, Overseas Decoration Building, #122 Zhenhua RD., Futian, Shenzhen, China





.096 ± .005 DIA.
4 HOLES

14 HOOKS



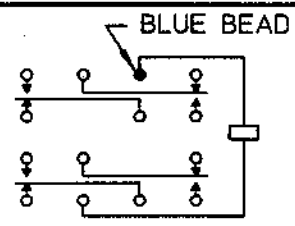
TOL. = .010

REV. 0

DCO 142865

COIL: @ 25°C	720 OHMS ±10%
RESISTANCE	
NOMINAL VOLTAGE	26.5 VDC
MUST OPERATE	13.5 VDC
MUST RELEASE	8.1 VDC MAX., 1.5 VDC MIN.

CUSTOMER DATA SHEET



TERMINAL VIEW

ENVIRONMENT:

VIBRATION: 10 CPS TO 3000 CPS @ 30 g's

SHOCK 75 g's 6 MS. DURATION

TEMPERATURE -65 °C TO +125 °C

NOTES: OPERATE 4 MS MAX.
RELEASE 4 MS MAX.
CONTACT STABILIZATION 2.5 MS MAX.

CONTACT RATING: LOW LEVEL TO
2 AMPS 28 VDC RESISTIVE
100,000 OPERATIONS

DR. B.D. 4/9/01 CK. *[Signature]*



CUST. QPL
CUST. NO. M39016/14-001M REV.

"3SBH" RELAY

3SBH1138A2