



Chipsmall Limited consists of a professional team with an average of over 10 year of expertise in the distribution of electronic components. Based in Hongkong, we have already established firm and mutual-benefit business relationships with customers from,Europe,America and south Asia,supplying obsolete and hard-to-find components to meet their specific needs.

With the principle of "Quality Parts,Customers Priority,Honest Operation,and Considerate Service",our business mainly focus on the distribution of electronic components. Line cards we deal with include Microchip,ALPS,ROHM,Xilinx,Pulse,ON,Everlight and Freescale. Main products comprise IC,Modules,Potentiometer,IC Socket,Relay,Connector.Our parts cover such applications as commercial,industrial, and automotives areas.

We are looking forward to setting up business relationship with you and hope to provide you with the best service and solution. Let us make a better world for our industry!



## Contact us

Tel: +86-755-8981 8866 Fax: +86-755-8427 6832

Email & Skype: info@chipsmall.com Web: www.chipsmall.com

Address: A1208, Overseas Decoration Building, #122 Zhenhua RD., Futian, Shenzhen, China

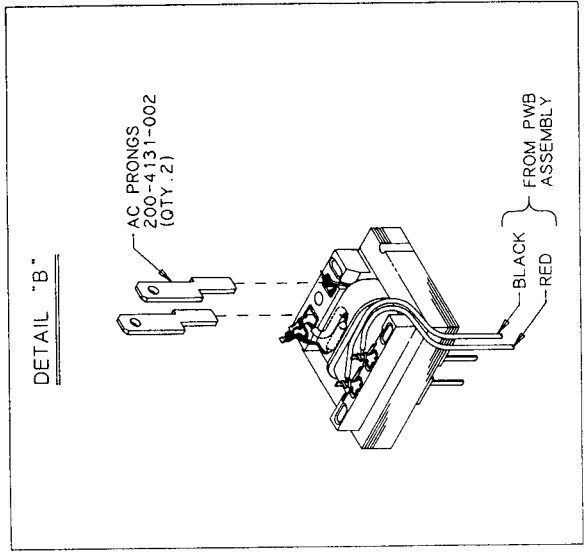
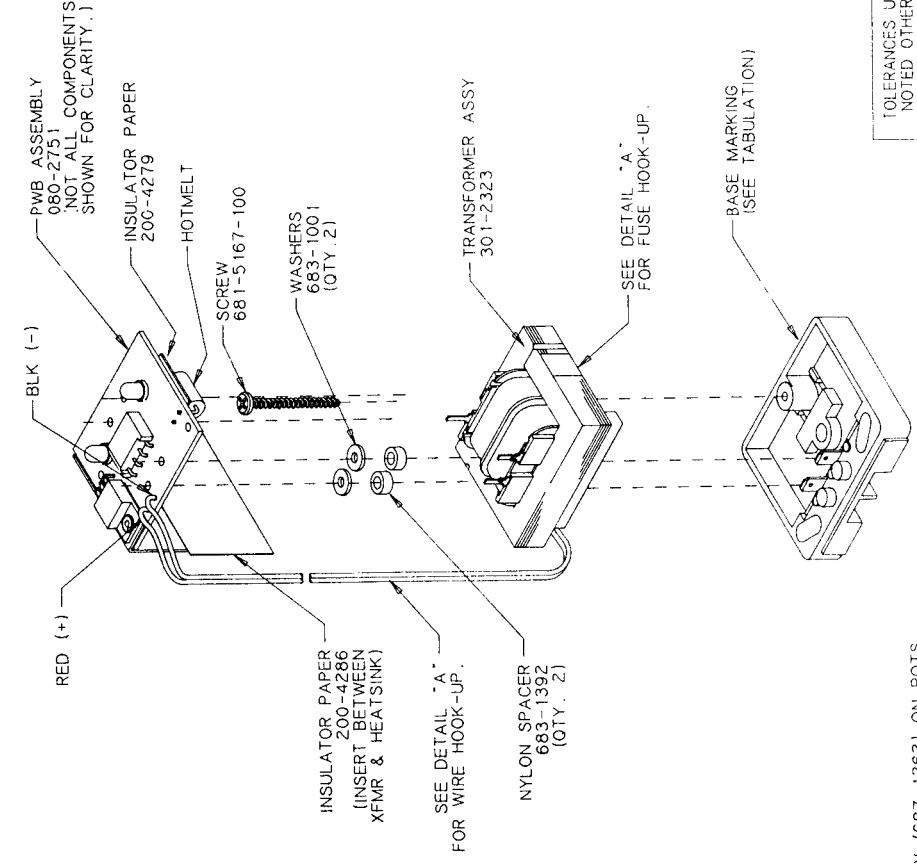
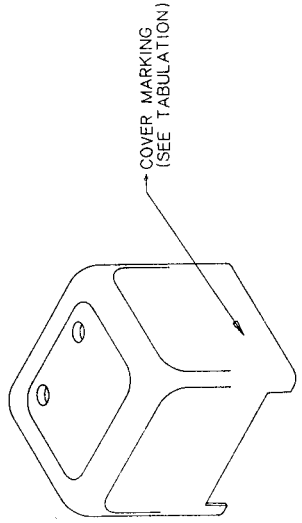


SUPPLEMENTARY INFORMATION

FIRST USED  
NEXT ASSEMBLY

REVISIONS

REV	DESCRIPTION	DATE	APPROVAL
D	REVISE AND REDRAW	2-22-90	06014 CS
E	TRANSFORMER ASSY WAS 301-1658	7-30-90	06072 RJM
F	REVISE AND REDRAW BS & CVR MKG -02. -ON	3-19-91	16056 RJM
G	ADD -OP TO TABULATION	10-22-91	191025 JL
H	REVISE BOBBIN VIEW	5-15-95	56035 SK



UNIT PART NUMBER	REV	BASE MARKING	COVER MARKING
3VA-06030-00	0	150-4243	150-4273
3VA-06030-02	P	150-4416	150-4415
3VA-06030-07	K	150-4252	150-4273
3VA-06030-0N	E	150-4414	150-4415
3VA-06030-0P	B	150-4575	150-4583

BATTERY CHARGER FINAL ASS'Y



AULT INCORPORATED  
MINNEAPOLIS, MINNESOTA

TOLERANCES UNLESS NOTED OTHERWISE	DRAWN BY	R. MOE	4-6-88
.X ± .020	DRAFTING		
.XX ± .010	MATL & FIN		
.XXX ± .005	DESIGNER		
ANGLES ±0°30'	DESIGN		
	APPROVED		

1. APPLY RTV (687-1262) ON POTS PRIOR TO ASSEMBLY.

SIZE	DRAWING NO.	REV	ISS
C	3VA-06030-0X	H	