



Chipsmall Limited consists of a professional team with an average of over 10 year of expertise in the distribution of electronic components. Based in Hongkong, we have already established firm and mutual-benefit business relationships with customers from,Europe,America and south Asia,supplying obsolete and hard-to-find components to meet their specific needs.

With the principle of “Quality Parts,Customers Priority,Honest Operation,and Considerate Service”,our business mainly focus on the distribution of electronic components. Line cards we deal with include Microchip,ALPS,ROHM,Xilinx,Pulse,ON,Everlight and Freescale. Main products comprise IC,Modules,Potentiometer,IC Socket,Relay,Connector.Our parts cover such applications as commercial,industrial, and automotives areas.

We are looking forward to setting up business relationship with you and hope to provide you with the best service and solution. Let us make a better world for our industry!



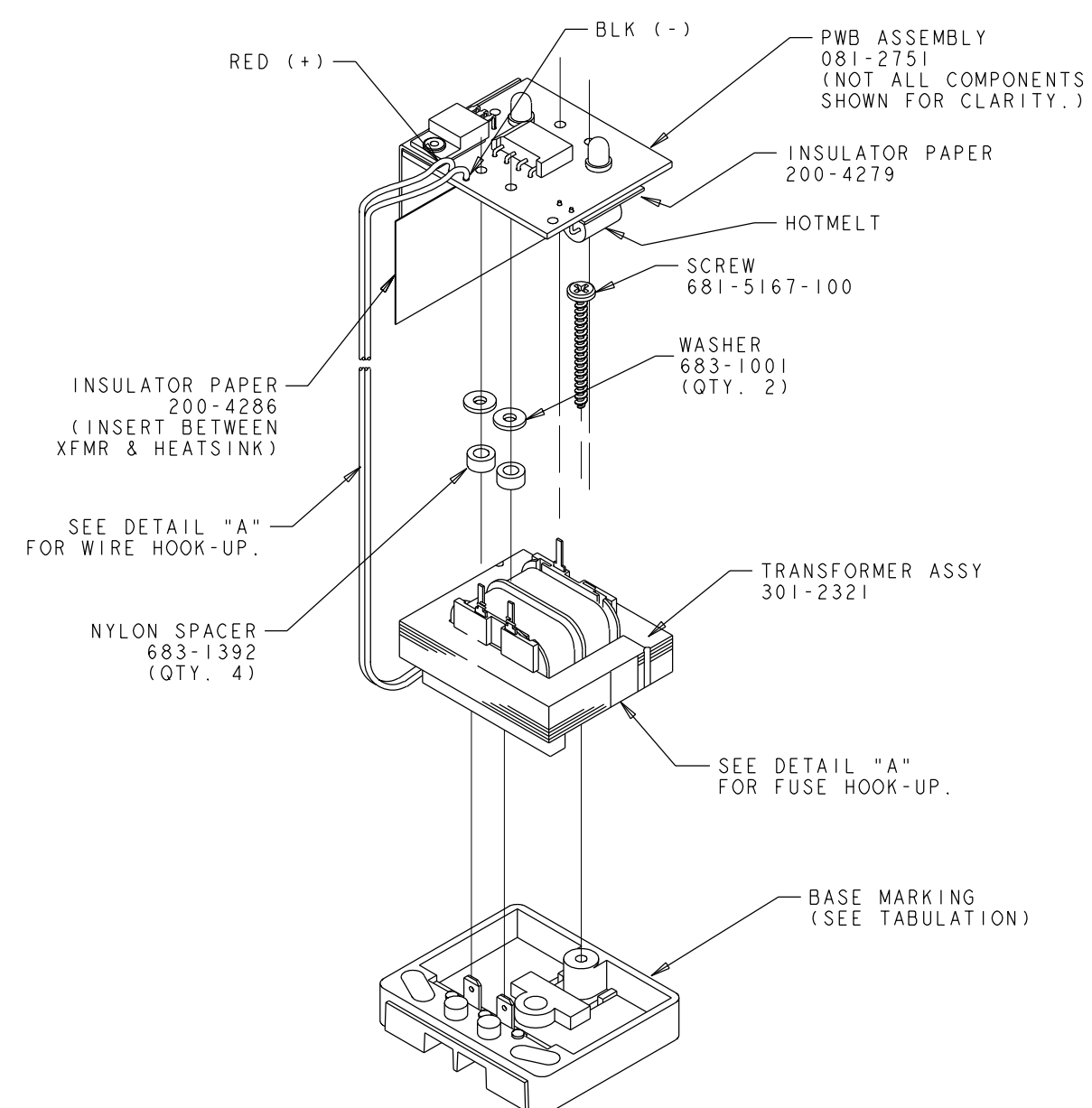
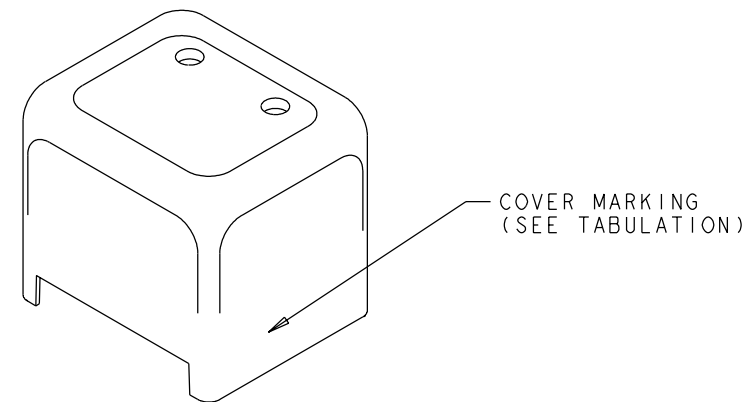
Contact us

Tel: +86-755-8981 8866 Fax: +86-755-8427 6832

Email & Skype: info@chipsmall.com Web: www.chipsmall.com

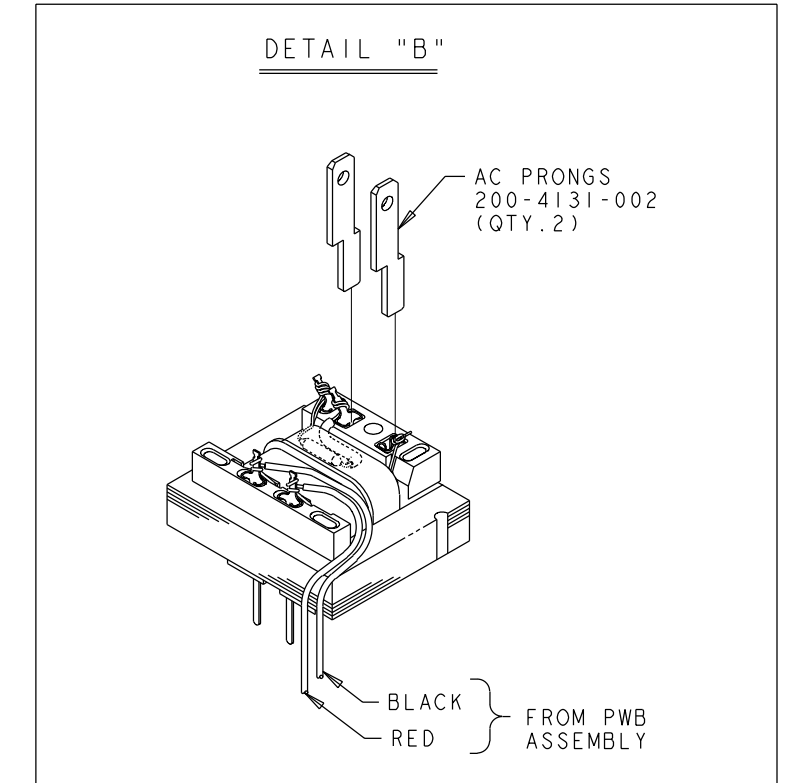
Address: A1208, Overseas Decoration Building, #122 Zhenhua RD., Futian, Shenzhen, China





1. APPLY RTV (687-1262) ON THE POTS PRIOR TO ADJUSTMENT.


REVISIONS			
REV	DESCRIPTION	DATE	APPROVAL
D	REVISE AND REDRAW	2-22-90	06014 GS
E	TRANSFORMER ASSY WAS 301-1659	8-6-90	06078 RJM
F	REVISE AND REDRAW BS CVR MKG -02, -0N	3-19-91	16054 RJM
G	ADD -0P TO TABULATION	10-22-91	91026 JL
H	REVISE BOBBIN VIEW	5-13-95	56040 SR
J	REMOVE 3VA-12025-0N FROM TABULATION	10-16-00	06562



UNIT PART NUMBER	REV	BASE MARKING	COVER MARKING
3VA-12025-00	R	150-4331	150-4273
3VA-12025-02	R	150-4421	150-4422
3VA-12025-07	L	150-4257	150-4273
3VA-12025-0P	B	150-4576	150-4583

DRAWN BY	R. MOE	4-6-88
DRAFTING		
MATL & FIN		
DESIGNER		
DESIGN		
APPROVED	RJM	4-29-88

BATTERY
CHARGER
FINAL
ASS'Y



AULT INCORPORATED
MINNEAPOLIS, MINNESOTA

SIZE	DRAWING NO.	REV	ISS
B	3VA-12025-0X	J	
SCALE	NONE	SHEET	1 OF 1