



Chipsmall Limited consists of a professional team with an average of over 10 year of expertise in the distribution of electronic components. Based in Hongkong, we have already established firm and mutual-benefit business relationships with customers from,Europe,America and south Asia,supplying obsolete and hard-to-find components to meet their specific needs.

With the principle of “Quality Parts,Customers Priority,Honest Operation,and Considerate Service”,our business mainly focus on the distribution of electronic components. Line cards we deal with include Microchip,ALPS,ROHM,Xilinx,Pulse,ON,Everlight and Freescale. Main products comprise IC,Modules,Potentiometer,IC Socket,Relay,Connector.Our parts cover such applications as commercial,industrial, and automotives areas.

We are looking forward to setting up business relationship with you and hope to provide you with the best service and solution. Let us make a better world for our industry!



Contact us

Tel: +86-755-8981 8866 Fax: +86-755-8427 6832

Email & Skype: info@chipsmall.com Web: www.chipsmall.com

Address: A1208, Overseas Decoration Building, #122 Zhenhua RD., Futian, Shenzhen, China



SAFETY ORGANIZATION(S):

THIS FILTER HAS BEEN FORMALLY RECOGNIZED, CERTIFIED OR APPROVED BY THE LISTED AGENCY. THEREFORE, ALL TEST/REQUIREMENTS SPECIFIED IN THE LATEST REVISION OF THE FOLLOWING AGENCY STANDARDS HAVE BEEN MET:

- UL 1283
- UL RECOGNIZED
- CSA 22.2, NO.0,0.4,8
- CSA CERTIFIED
- VDE 565-3
- VDE APPROVED

OPERATING SPECIFICATIONS:

- LINE VOLTAGE/CURRENT: 3 AMP., 120/250 VAC
- LINE FREQUENCY: 3 AMP./40°C, 250 VAC 50-60Hz 40°C
- MAX. CASE RISE θ RATED CURRENT: .5 mA at 120V 60 Hz
- MAX. LEAKAGE CURRENT, EACH LINE TO GROUND: 1.0 mA at 250V 50 Hz
- OPERATING AMBIENT TEMP. RANGE: -10°C TO +40°C θ RATED CURRENT, I_r

IN AN AMBIENT, T_a , HIGHER THAN 40°C, THE MAXIMUM OPERATING CURRENT, I_o , IS AS FOLLOWS:

$$I_o = I_r \sqrt{\frac{85-T_a}{45}}$$

RELIABILITY SPECIFICATIONS:

- STORAGE TEMPERATURE: -40°C TO +85°C
- HUMIDITY: 21 DAYS θ 40°C 95% RH
- CURRENT OVERLOAD TEST: 6 TIMES RATED CURRENT FOR 8 SECONDS

TEST SPECIFICATIONS:

- INDUCTANCE: 7.06 mH NOMINAL
- CAPACITANCE: (MEASURED θ 1 KHz, 0.25 VAC MAX., 25°C \pm 1°C)
 - LINE TO GROUND: .011 μ F \pm 20%
 - LINE TO LINE: .54 μ F \pm 20%
- DISCHARGE RESISTOR: 330 K Ω
- LINE/GROUND AND LINE/LINE INSULATION RESISTANCE: 6000 M Ω (MIN) AT 100 VDC 20°C AND 50% RH

RECOMMENDED RECEIVING INSPECTION HIPOUT:

- LINES TO GROUND: 2250 VDC FOR 1 MINUTE
- LINE TO LINE: 1450 VDC FOR 1 MINUTE

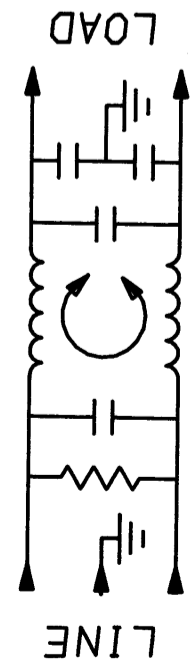
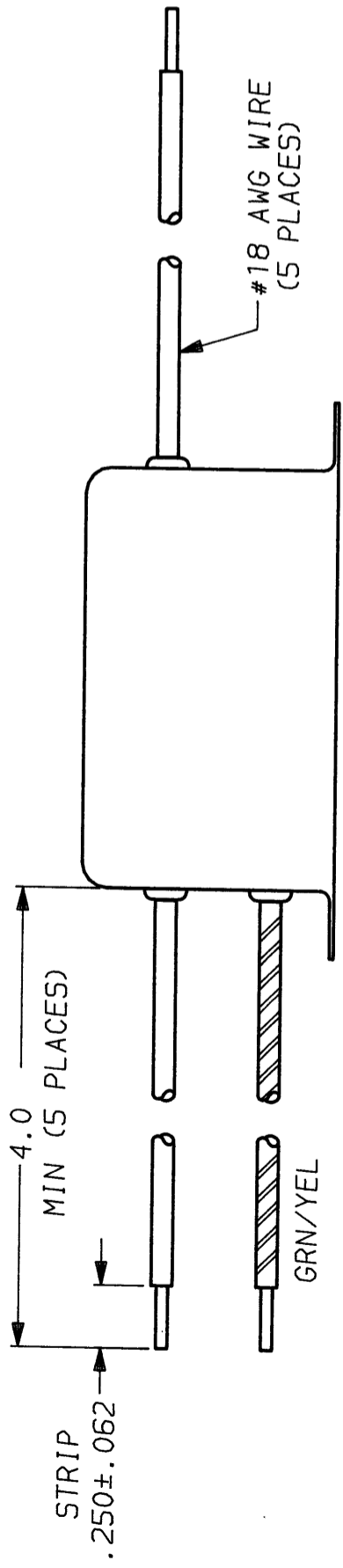
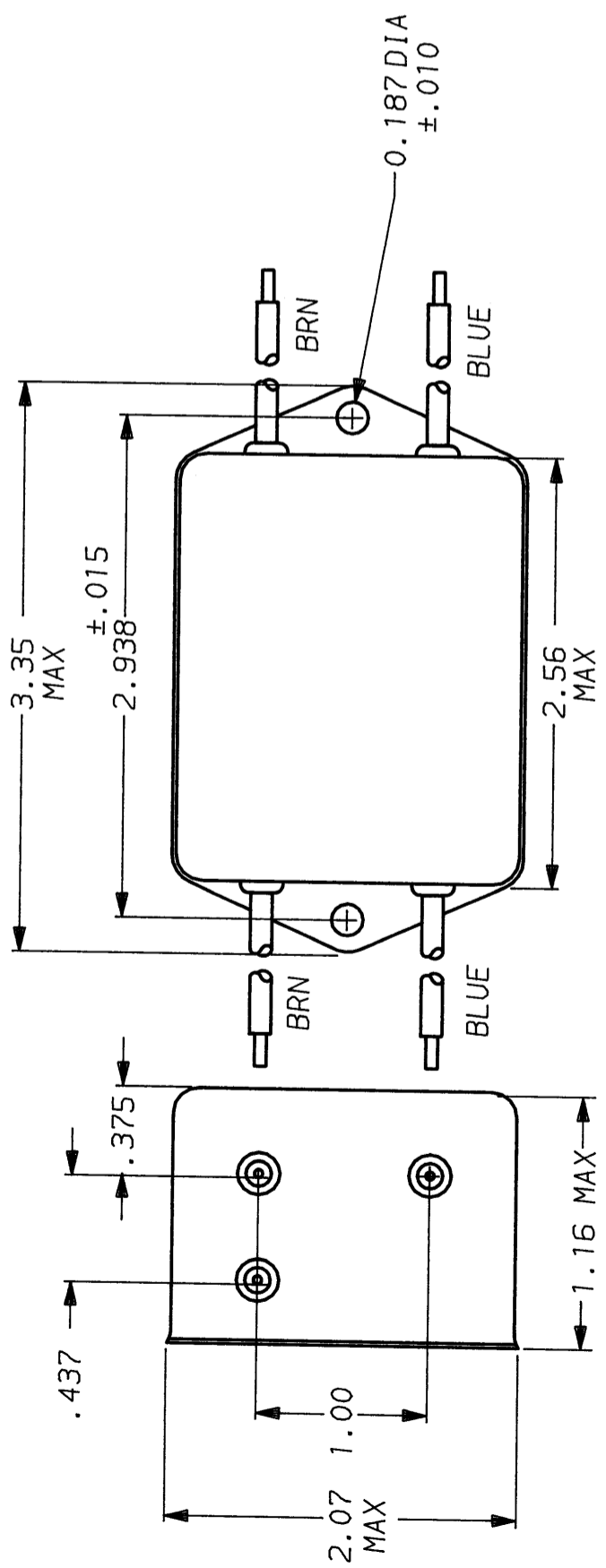
FILTER APPROVAL:

THE BEST WAY TO SELECT AND QUALIFY A FILTER IS FOR YOUR ENGINEERING TO TEST THE UNIT IN YOUR EQUIPMENT.

50 Ω - 50 Ω (MINIMUM) INSERTION LOSS

FREQUENCY MHz	.01	.02	.05	.08	.1	.15	.5	1	5	10	20	30
COMMON dB	6	12	20	25	28	33	50	45	45	45	45	45
DIFF. dB	1	1	2	3	10	25	59	65	65	65	50	50

This document is proprietary to CORCOM INC. and is not to be reproduced nor used for manufacturing purposes except on CORCOM's order or prior written consent.



TOLERANCE EXCEPT AS NOTED

DECIMAL: .XXX .XX .X ANGLES \pm 1°
 ENGLISH: \pm .025
 METRIC: \pm —

MATERIAL:

AS SUPPLIED

FINISH:

AS SUPPLIED

CORCOM
 LIBERTYVILLE, IL 60048

POWER LINE FILTER

SCALE	DATE	DRG. NO.	REV.
NTS	8-7-90		
DRW. BY	ORIGINATOR		
CFW	CFW		3VSK3.05