



Chipsmall Limited consists of a professional team with an average of over 10 year of expertise in the distribution of electronic components. Based in Hongkong, we have already established firm and mutual-benefit business relationships with customers from,Europe,America and south Asia,supplying obsolete and hard-to-find components to meet their specific needs.

With the principle of "Quality Parts,Customers Priority,Honest Operation,and Considerate Service",our business mainly focus on the distribution of electronic components. Line cards we deal with include Microchip,ALPS,ROHM,Xilinx,Pulse,ON,Everlight and Freescale. Main products comprise IC,Modules,Potentiometer,IC Socket,Relay,Connector.Our parts cover such applications as commercial,industrial, and automotives areas.

We are looking forward to setting up business relationship with you and hope to provide you with the best service and solution. Let us make a better world for our industry!



Contact us

Tel: +86-755-8981 8866 Fax: +86-755-8427 6832

Email & Skype: info@chipsmall.com Web: www.chipsmall.com

Address: A1208, Overseas Decoration Building, #122 Zhenhua RD., Futian, Shenzhen, China



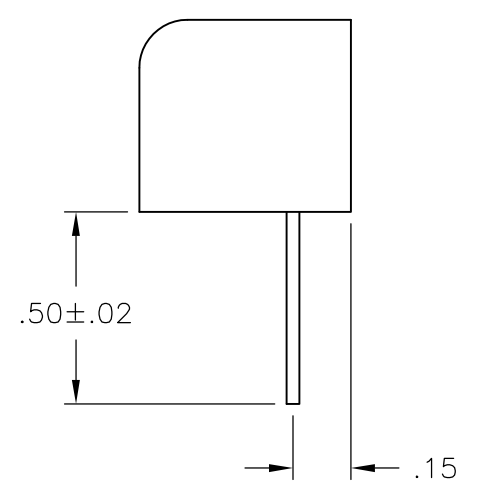
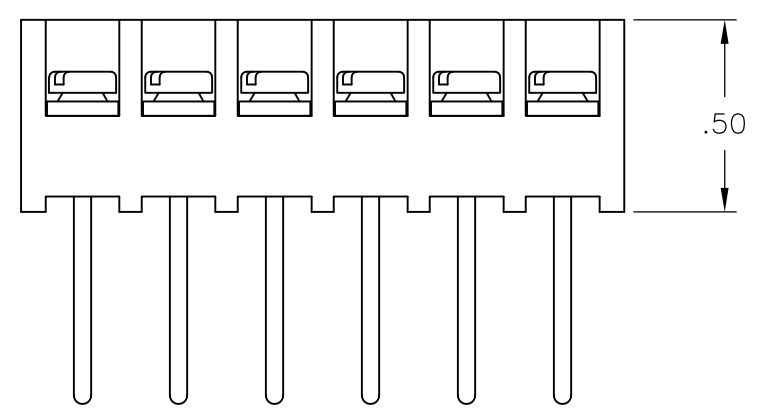
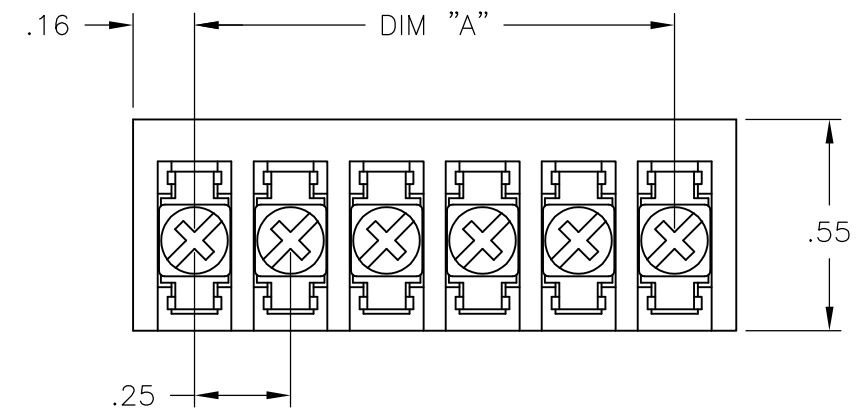
THIS DRAWING IS UNPUBLISHED. RELEASED FOR PUBLICATION
 © COPYRIGHT - By - ALL RIGHTS RESERVED.

LOC	DIST	REVISIONS					
FT	0	P	LTR	DESCRIPTION	DATE	DWN	APVD
			C	REVISED PER ECO-11-020527	12OCT11	KH	MS

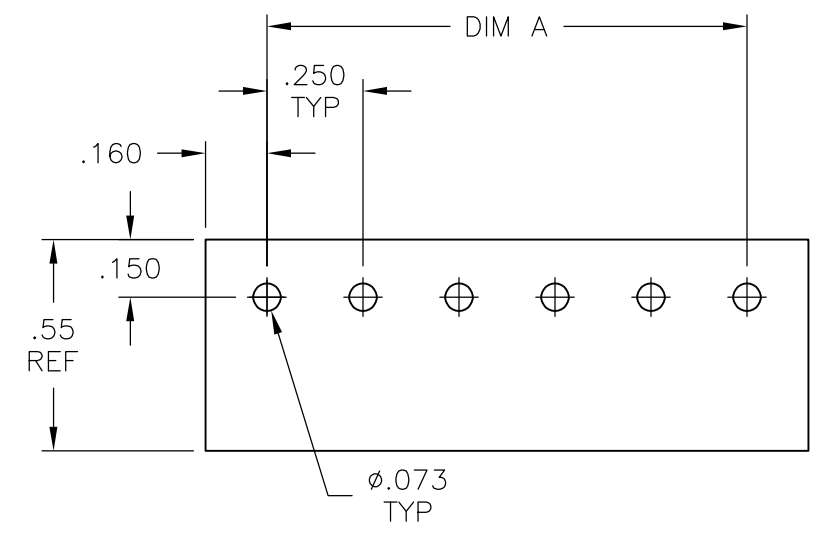
MATERIAL:
 HOUSING: THERMOPLASTIC, UL94V-0, BLACK.
 TERMINAL: M3 THREAD, BRIGHT TIN PLATED, COPPER ALLOY.
 SCREWS: M3 THREAD, ZINC PLATED STEEL, EXCEPT WHERE NOTED OTHERWISE.

ELECTRICAL:
 RATED CURRENT: 10A.
 OPERATING VOLTAGE: 300V.
 WIRE RANGE: 16-30 AWG.

MECHANICAL:
 PITCH (TERMINAL SPACING): .250"
 OPERATING TEMP.: 120°C MAX.



DIM "A"	NO. OF POS.	CATALOG NUMBER	PART NO.
7.25	30	3WWV-30-008	3-1546532-0
7.00	29	3WWV-29-008	2-1546532-9
6.75	28	3WWV-28-008	8-1546119-2
6.50	27	3WWV-27-008	2-1546532-7
6.25	26	3WWV-26-008	2-1546532-6
6.00	25	3WWV-25-008	2-1546532-5
5.75	24	3WWV-24-008	2-1546532-4
5.50	23	3WWV-23-008	2-1546532-3
5.25	22	3WWV-22-008	2-1546532-2
5.00	21	3WWV-21-008	2-1546532-1
4.75	20	3WWV-20-008	8-1546119-0
4.50	19	3WWV-19-008	1-1546532-9
4.25	18	3WWV-18-008	1-1546532-8
4.00	17	3WWV-17-008	1-1546532-7
3.75	16	3WWV-16-008	7-1546119-8
3.50	15	3WWV-15-008	1-1546532-5
3.25	14	3WWV-14-008	1-1546532-4
3.00	13	3WWV-13-008	1-1546532-3
2.75	12	3WWV-12-008	1-1546532-2
2.50	11	3WWV-11-008	1-1546532-1
2.25	10	3WWV-10-008	7-1546119-5
2.00	9	3WWV-09-008	1546532-9
1.75	8	3WWV-08-008	7-1546119-2
1.50	7	3WWV-07-008	1546532-7
1.25	6	3WWV-06-008	7-1546119-0
1.00	5	3WWV-05-008	6-1546119-9
.75	4	3WWV-04-008	6-1546119-7
.50	3	3WWV-03-008	6-1546119-5
.25	2	3WWV-02-008	6-1546119-4



RECOMMENDED PCB LAYOUT

THIS DRAWING IS A CONTROLLED DOCUMENT.		DWN S SCHLEGEL 4/10/03	TE Connectivity				
DIMENSIONS: INCHES		CHK S YODER 4/10/03			NAME		
TOLERANCES UNLESS OTHERWISE SPECIFIED:		APVD S YODER 4/10/03					
0 PLC ± - 1 PLC ± - 2 PLC ± .02 3 PLC ± .010 4 PLC ± - ANGLES ± 1°		PRODUCT SPEC	3WWV-XX-008 ASSEMBLY				
MATERIAL		FINISH	APPLICATION SPEC	SIZE	CAGE CODE	DRAWING NO	RESTRICTED TO
-		-	-	A3	00779	C-6-1546119-5	-
CUSTOMER DRAWING			SCALE	SHEET	REV		
			NTS	1 OF 1	C		