



Chipsmall Limited consists of a professional team with an average of over 10 year of expertise in the distribution of electronic components. Based in Hongkong, we have already established firm and mutual-benefit business relationships with customers from,Europe,America and south Asia,supplying obsolete and hard-to-find components to meet their specific needs.

With the principle of “Quality Parts,Customers Priority,Honest Operation,and Considerate Service”,our business mainly focus on the distribution of electronic components. Line cards we deal with include Microchip,ALPS,ROHM,Xilinx,Pulse,ON,Everlight and Freescale. Main products comprise IC,Modules,Potentiometer,IC Socket,Relay,Connector.Our parts cover such applications as commercial,industrial, and automotives areas.

We are looking forward to setting up business relationship with you and hope to provide you with the best service and solution. Let us make a better world for our industry!



## Contact us

Tel: +86-755-8981 8866 Fax: +86-755-8427 6832

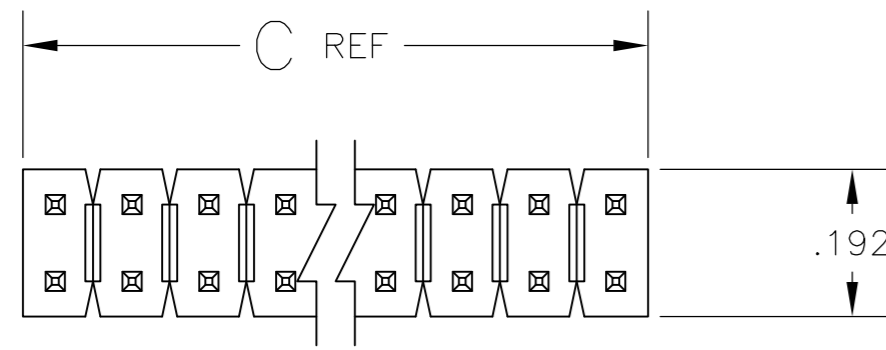
Email & Skype: info@chipsmall.com Web: www.chipsmall.com

Address: A1208, Overseas Decoration Building, #122 Zhenhua RD., Futian, Shenzhen, China

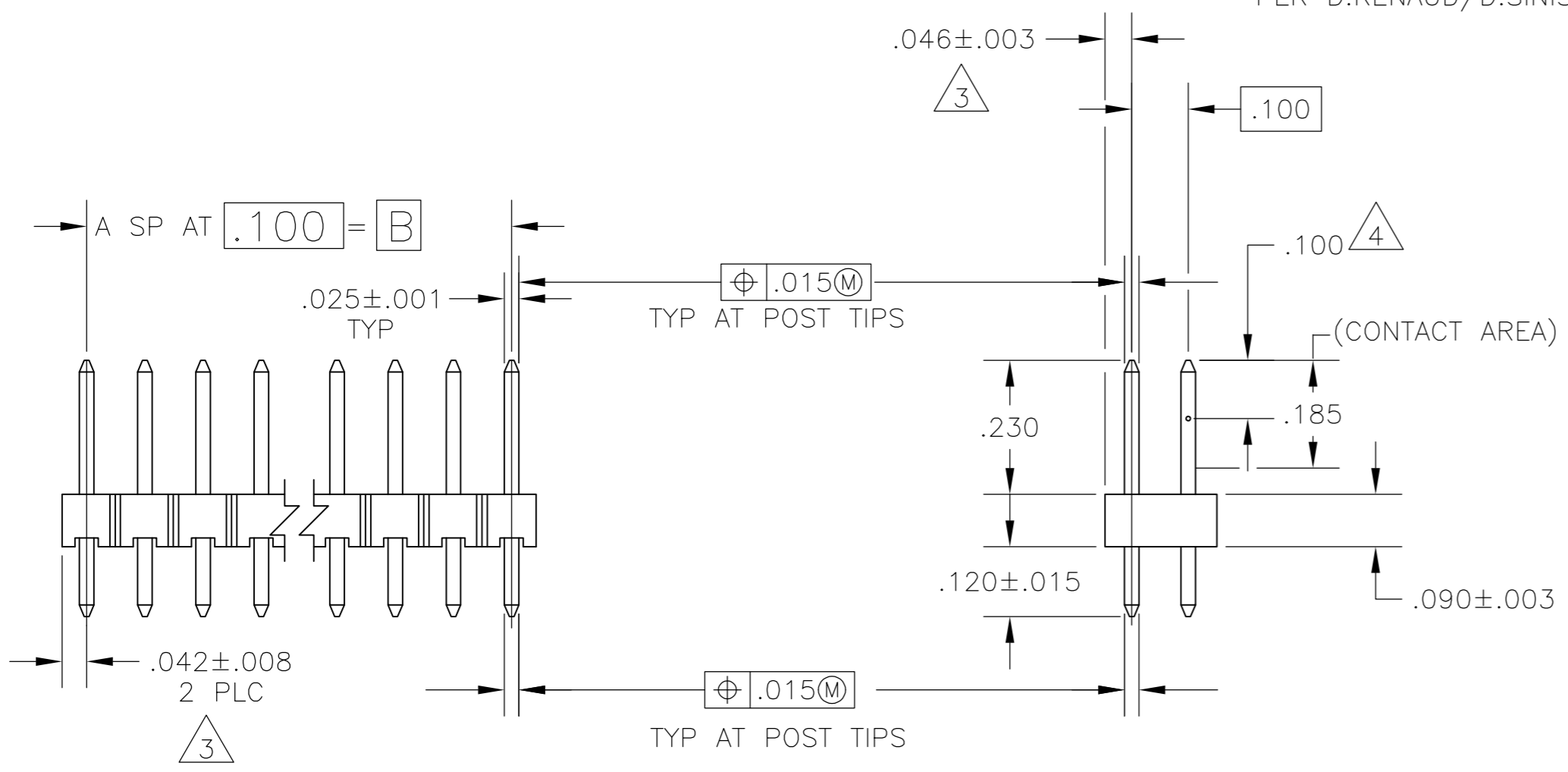


THIS DRAWING IS UNPUBLISHED. RELEASED FOR PUBLICATION  
 © COPYRIGHT - By - ALL RIGHTS RESERVED.

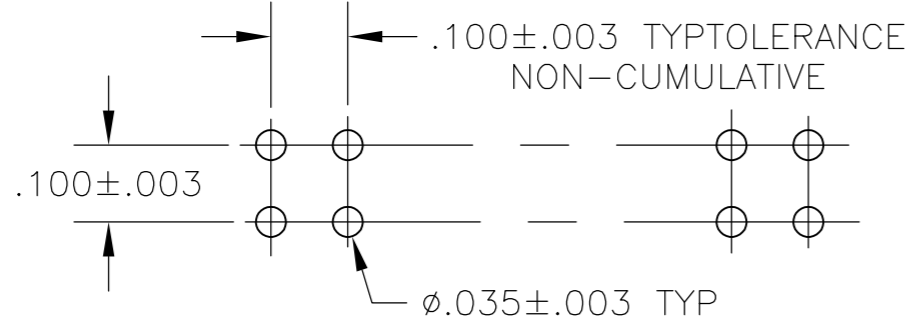
LOC		DIST		REVISIONS			
P	LTR	DESCRIPTION		DATE	DWN	APVD	
	H2	REVISED PER ECO-11-004587		11MAR11	RK	HMR	



- ASSEMBLY MAY BE BROKEN TO THE DESIRED NUMBER OF POSITIONS
  - TRUE POSITION TOLERANCE OF THE POST TIPS APPLIES WHEN THE HEADER IS HELD FLAT AGAINST THE PRINTED CIRCUIT BOARD
- △3 THE NOTED DIMENSIONS APPLY AT THE INTERSECTION OF THE POST AND HOUSING
  - △4 POINT OF MEASUREMENT FOR PLATING THICKNESS
  - △5 PART INDICATED IS PACKAGED IN "SINGLE TUBES"
  - △6 OBSOLETE PARTS: OBSOLETE CIS STREAMLINING PER D.RENAUD/D.SINISI



△6	DESCRIPTION	△5	1.284	1.200	12	26	4-103186-1
			3.984	3.900	39	80	4-103186-0
△6	OBSOLETE		3.884	3.800	38	78	3-103186-9
△6	OBSOLETE		3.784	3.700	37	76	3-103186-8
△6	OBSOLETE		3.684	3.600	36	74	3-103186-7
△6	OBSOLETE		3.584	3.500	35	72	3-103186-6
△6	OBSOLETE		3.484	3.400	34	70	3-103186-5
△6	OBSOLETE		3.384	3.300	33	68	3-103186-4
△6	OBSOLETE		3.284	3.200	32	66	3-103186-3
			3.184	3.100	31	64	3-103186-2
△6	OBSOLETE		3.084	3.000	30	62	3-103186-1
△6	SUPERSEDED BY 8-146256-0		2.984	2.900	29	60	3-103186-0
△6	OBSOLETE		2.884	2.800	28	58	2-103186-9
△6	OBSOLETE		2.784	2.700	27	56	2-103186-8
△6	OBSOLETE		2.684	2.600	26	54	2-103186-7
△6	OBSOLETE		2.584	2.500	25	52	2-103186-6
△6	OBSOLETE		2.484	2.400	24	50	2-103186-5
			2.384	2.300	23	48	2-103186-4
△6	OBSOLETE		2.284	2.200	22	46	2-103186-3
△6	OBSOLETE		2.184	2.100	21	44	2-103186-2
△6	OBSOLETE		2.084	2.000	20	42	2-103186-1
			1.984	1.900	19	40	2-103186-0
△6	OBSOLETE		1.884	1.800	18	38	1-103186-9
△6	OBSOLETE		1.784	1.700	17	36	1-103186-8
			1.684	1.600	16	34	1-103186-7
			1.584	1.500	15	32	1-103186-6
			1.484	1.400	14	30	1-103186-5
△6	OBSOLETE		1.384	1.300	13	28	1-103186-4
			1.284	1.200	12	26	1-103186-3
			1.184	1.100	11	24	1-103186-2
△6	OBSOLETE		1.084	1.000	10	22	1-103186-1
			.984	.900	9	20	1-103186-0
			.884	.800	8	18	103186-9
			.784	.700	7	16	103186-8
			.684	.600	6	14	103186-7
			.584	.500	5	12	103186-6
			.484	.400	4	10	103186-5
			.384	.300	3	8	103186-4
			.284	.200	2	6	103186-3
			.184	.100	1	4	103186-2
			.084	—	—	2	103186-1
	REMARKS	C	B	A	NO OF POSN	PART NUMBER	



RECOMMENDED HOLE LAYOUT

THIS DRAWING IS A CONTROLLED DOCUMENT.		DWN H MOLL 13OCT87	<b>STE</b> TE Connectivity	
DIMENSIONS: INCHES		CHK T. CLARK 20OCT87		
TOLERANCES UNLESS OTHERWISE SPECIFIED:		APVD T. CLARK 20OCT87	NAME	
0 PLC ± -		PRODUCT SPEC	HEADER ASSY, MOD II, BREAKAWAY, DOUBLE ROW, .100X.100 C, VERTICAL, WITH .025 SQ POSTS	
1 PLC ± -		APPLICATION SPEC	SIZE	CAGE CODE
2 PLC ± -			A2	00779
3 PLC ± .005			DRAWING NO	RESTRICTED TO
4 PLC ± -			C=103186	
ANGLES ± -		WEIGHT	SCALE	SHEET
MATERIAL: HOUSING: FLAME RETARDANT THERMOPLASTIC; COLOR-BLACK			4:1	1 OF 1
FINISH: POST: .00015 GOLD ON CONTACT .00100-.00200 MATTE TIN-LEAD ON SOLDER TAIL ALL OVER .00050 NICKEL		CUSTOMER DRAWING	REV	H2