



Chipsmall Limited consists of a professional team with an average of over 10 year of expertise in the distribution of electronic components. Based in Hongkong, we have already established firm and mutual-benefit business relationships with customers from,Europe,America and south Asia,supplying obsolete and hard-to-find components to meet their specific needs.

With the principle of “Quality Parts,Customers Priority,Honest Operation,and Considerate Service”,our business mainly focus on the distribution of electronic components. Line cards we deal with include Microchip,ALPS,ROHM,Xilinx,Pulse,ON,Everlight and Freescale. Main products comprise IC,Modules,Potentiometer,IC Socket,Relay,Connector.Our parts cover such applications as commercial,industrial, and automotives areas.

We are looking forward to setting up business relationship with you and hope to provide you with the best service and solution. Let us make a better world for our industry!



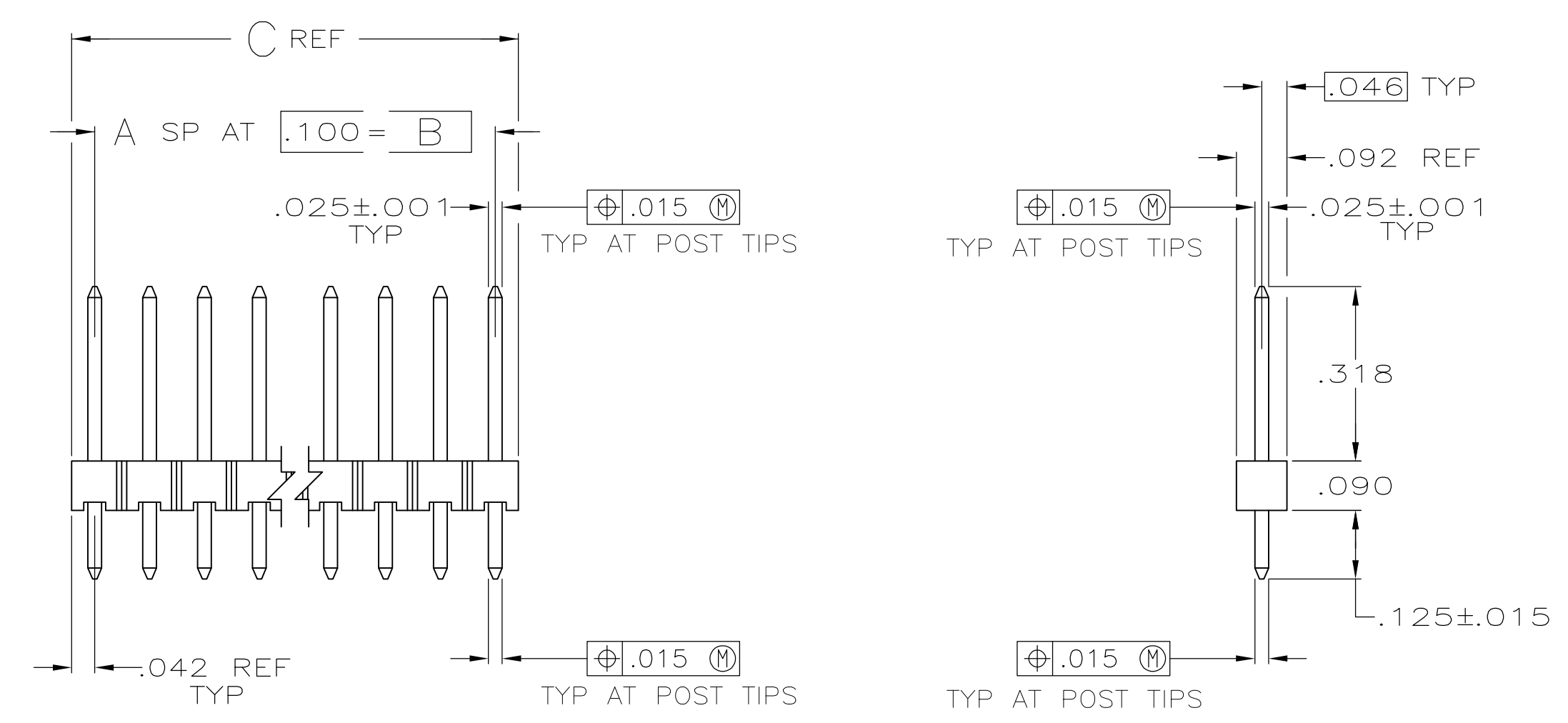
Contact us

Tel: +86-755-8981 8866 Fax: +86-755-8427 6832

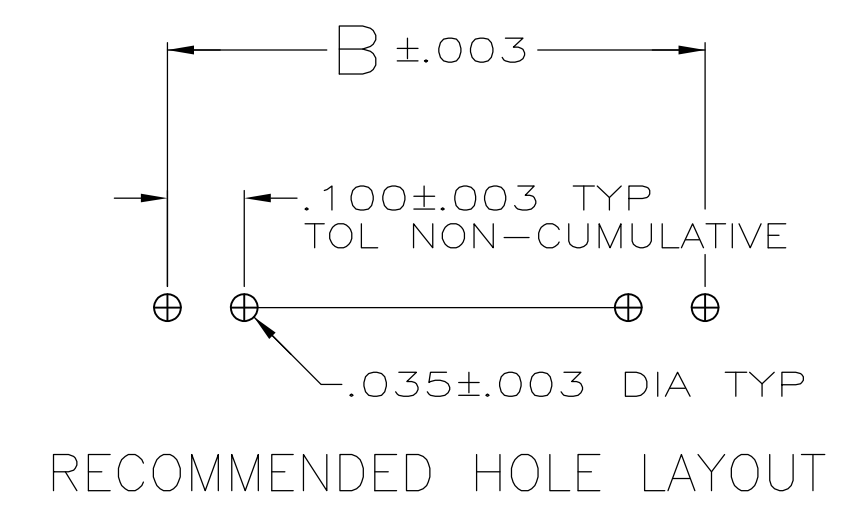
Email & Skype: info@chipsmall.com Web: www.chipsmall.com

Address: A1208, Overseas Decoration Building, #122 Zhenhua RD., Futian, Shenzhen, China





- TRUE POSITION TOLERANCE OF THE POST TIPS APPLIES WHEN THE HEADERS ARE HELD FLAT AGAINST THE PRINTED CIRCUIT BOARD
 - ASSEMBLY MAY BE BROKEN TO THE DESIRED NUMBER OF POSITIONS
- ③ PACKAGE IN SINGLE TUBES
 - ④ .000100-.000200 MATTE TIN-LEAD OVER .000050 NICKEL.
 - ⑤ .000100-.000200 BRIGHT TIN OVER .000050 NICKEL.
 - ⑥ PRELIMINARY PART - NOT RELEASED FOR PRODUCTION.
 - ⑦ HOUSING MATERIAL: FLAME RETARDANT THERMOPLASTIC; COLOR-BLACK.
 - ⑧ OBSOLETE PARTS: OBSOLETE CIS STREAMLINING PER D.RENAUD/D.SINISI



PLATING	REMARKS	C	B	A	NO OF POSN	PART NUMBER
OBSOLETE	⑤	.484	.400	4	5	5-103321-3
OBSOLETE	⑤	1.384	1.300	13	14	5-103321-2
OBSOLETE	⑤	1.184	1.100	11	12	5-103321-1
OBSOLETE	⑤	1.084	1.000	10	11	5-103321-0
OBSOLETE	⑤	.884	.800	8	9	4-103321-9
OBSOLETE	⑤	3.984	3.900	39	40	4-103321-8
OBSOLETE	⑤	1.584	1.500	15	16	4-103321-7
OBSOLETE	⑤	.784	.700	7	8	4-103321-6
OBSOLETE	⑤	.284	.200	2	3	4-103321-5
OBSOLETE	⑤	.184	.100	1	2	4-103321-4
OBSOLETE	⑤	.084	—	—	1	4-103321-3
SUPERSEDED BY 1-103321-4	③	1.384	1.300	13	14	4-103321-2
SUPERSEDED BY 103321-3	③	.284	.200	2	3	4-103321-1
OBSOLETE	④	3.984	3.900	39	40	4-103321-0
OBSOLETE	④	3.884	3.800	38	39	3-103321-9
OBSOLETE	④	3.784	3.700	37	38	3-103321-8
OBSOLETE	④	3.684	3.600	36	37	3-103321-7
OBSOLETE	④	3.584	3.500	35	36	3-103321-6
OBSOLETE	④	3.484	3.400	34	35	3-103321-5
OBSOLETE	④	3.384	3.300	33	34	3-103321-4
OBSOLETE	④	3.284	3.200	32	33	3-103321-3
OBSOLETE	④	3.184	3.100	31	32	3-103321-2
OBSOLETE	④	3.084	3.000	30	31	3-103321-1
OBSOLETE	④	2.984	2.900	29	30	3-103321-0
OBSOLETE	④	2.884	2.800	28	29	2-103321-9
OBSOLETE	④	2.784	2.700	27	28	2-103321-8
OBSOLETE	④	2.684	2.600	26	27	2-103321-7
OBSOLETE	④	2.584	2.500	25	26	2-103321-6
OBSOLETE	④	2.484	2.400	24	25	2-103321-5
OBSOLETE	④	2.384	2.300	23	24	2-103321-4
OBSOLETE	④	2.284	2.200	22	23	2-103321-3
OBSOLETE	④	2.184	2.100	21	22	2-103321-2
OBSOLETE	④	2.084	2.000	20	21	2-103321-1
SUPERSEDED BY 7-146274-0	④	1.984	1.900	19	20	2-103321-0
OBSOLETE	④	1.884	1.800	18	19	1-103321-9
OBSOLETE	④	1.784	1.700	17	18	1-103321-8
OBSOLETE	④	1.684	1.600	16	17	1-103321-7
OBSOLETE	④	1.584	1.500	15	16	1-103321-6
OBSOLETE	④	1.484	1.400	14	15	1-103321-5
OBSOLETE	④	1.384	1.300	13	14	1-103321-4
OBSOLETE	④	1.284	1.200	12	13	1-103321-3
OBSOLETE	④	1.184	1.100	11	12	1-103321-2
OBSOLETE	④	1.084	1.000	10	11	1-103321-1
OBSOLETE	④	.984	.900	9	10	1-103321-0
OBSOLETE	④	.884	.800	8	9	103321-9
OBSOLETE	④	.784	.700	7	8	103321-8
OBSOLETE	④	.684	.600	6	7	103321-7
OBSOLETE	④	.584	.500	5	6	103321-6
OBSOLETE	④	.484	.400	4	5	103321-5
OBSOLETE	④	.384	.300	3	4	103321-4
OBSOLETE	④	.284	.200	2	3	103321-3
OBSOLETE	④	.184	.100	1	2	103321-2
OBSOLETE	④	.084	—	—	1	103321-1

THIS DRAWING IS A CONTROLLED DOCUMENT.

DIMENSIONS: INCHES

TOLERANCES UNLESS OTHERWISE SPECIFIED:

0. PLC	± .005
1. PLC	± .005
2. PLC	± .005
3. PLC	± .005
4. PLC	± .005
ANGLES	± .005

MATERIAL: PHOSPHOR BRONZE

FINISH: SEE TABLE

APPROVED: J. MARTINELLI, JOHN KNITTLE, B. FLINCHBAUGH

DATE: 15OCT92, 23NOV92, 23NOV92

NAME: ASSEMBLY, HEADER, BREAKAWAY, MOD II, SINGLE ROW, .100 C/L, VERTICAL, WITH .025 SQUARE POSTS

SIZE: A1

WEIGHT: —

DRAWING NO: 00779

SCALE: 4:1

SHEET: 1 OF 1

REV: P2

CUSTOMER DRAWING

STE TE Connectivity