



Chipsmall Limited consists of a professional team with an average of over 10 year of expertise in the distribution of electronic components. Based in Hongkong, we have already established firm and mutual-benefit business relationships with customers from,Europe,America and south Asia,supplying obsolete and hard-to-find components to meet their specific needs.

With the principle of "Quality Parts,Customers Priority,Honest Operation,and Considerate Service",our business mainly focus on the distribution of electronic components. Line cards we deal with include Microchip,ALPS,ROHM,Xilinx,Pulse,ON,Everlight and Freescale. Main products comprise IC,Modules,Potentiometer,IC Socket,Relay,Connector.Our parts cover such applications as commercial,industrial, and automotives areas.

We are looking forward to setting up business relationship with you and hope to provide you with the best service and solution. Let us make a better world for our industry!



## Contact us

Tel: +86-755-8981 8866 Fax: +86-755-8427 6832

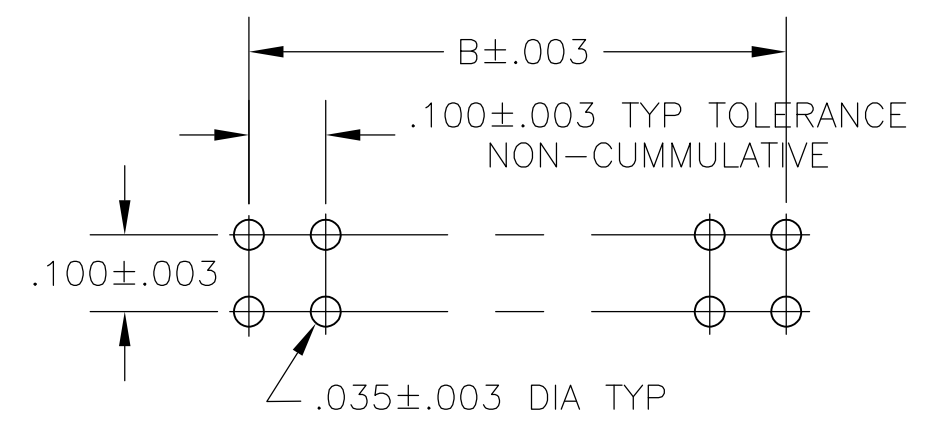
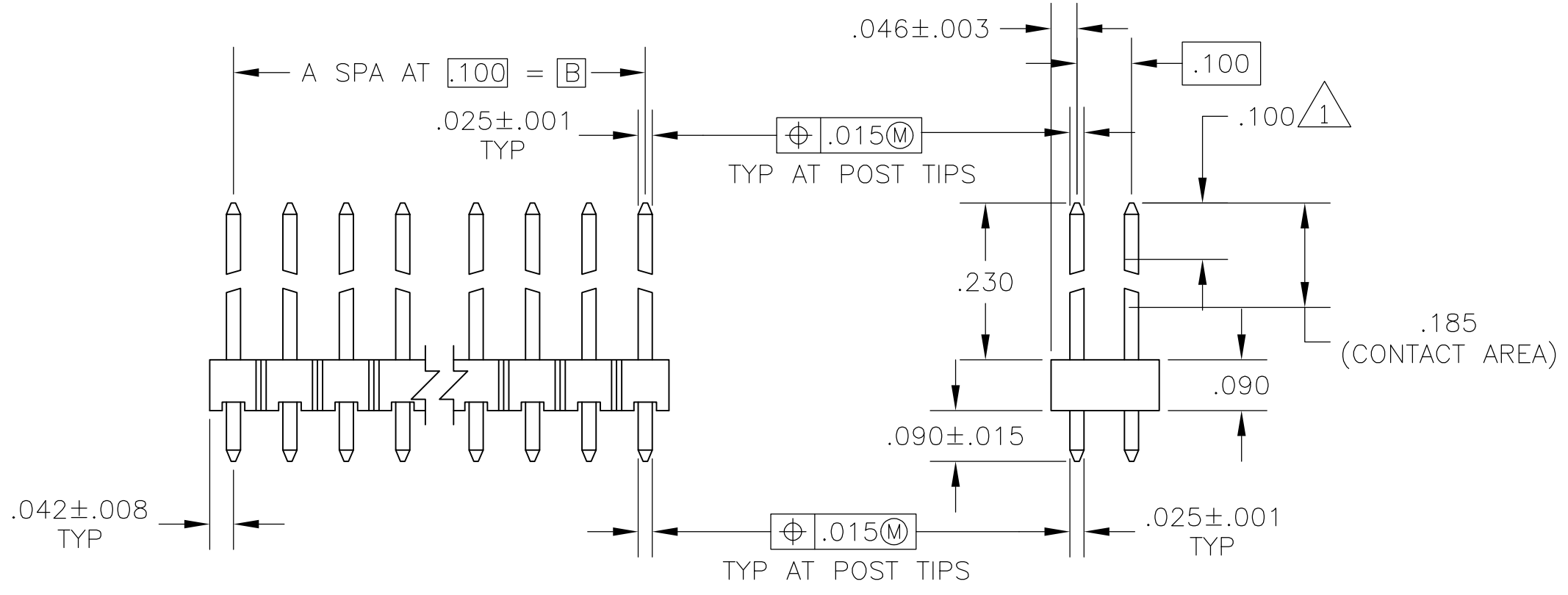
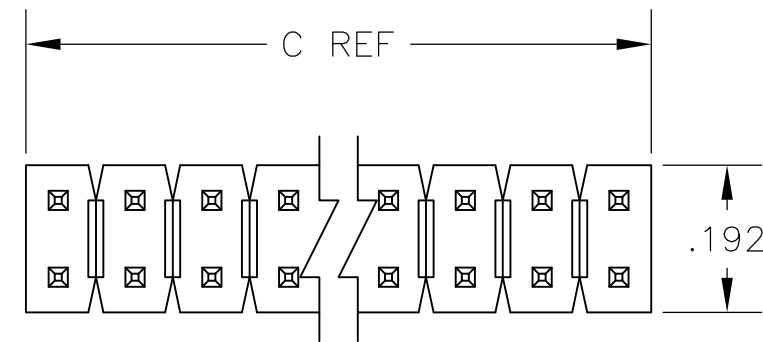
Email & Skype: info@chipsmall.com Web: www.chipsmall.com

Address: A1208, Overseas Decoration Building, #122 Zhenhua RD., Futian, Shenzhen, China



THIS DRAWING IS UNPUBLISHED. RELEASED FOR PUBLICATION  
 © COPYRIGHT - By - ALL RIGHTS RESERVED.

LOC	DIST	REVISIONS					
AD	00	P	LTR	DESCRIPTION	DATE	DWN	APVD
		G2		REVISED PER ECO-11-004587	11MAR11	RK	HMR



RECOMMENDED HOLE LAYOUT

- 1 POINT OF MEASUREMENT FOR PLATING THICKNESS
- 2 ASSEMBLIES MAY BE BROKEN TO THE DESIRED NUMBER OF POSITIONS
- 3 TRUE POSITION TOLERANCE OF THE POST TIPS APPLIES WHEN THE HEADERS ARE HELD FLAT AGAINST THE PRINTED CIRCUIT BOARD
- 4 .000030 GOLD ON THE CONTACT AREA, .000100-.000200 MATTE TIN-LEAD ON THE SOLDER TAIL, ALL OVER .000050 NICKEL
- 5 OBSOLETE PARTS: OBSOLETE CIS STREAMLINING PER D.RENAUD/D.SINISI

NO OF POS	C	B	A	NO OF POS	ASSEMBLY PART NUMBER
3.984	3.900	39	80	4	103783-0
<del>3.884</del>	<del>3.800</del>	<del>38</del>	<del>78</del>	<del>3</del>	<del>-9</del>
<del>3.784</del>	<del>3.700</del>	<del>37</del>	<del>76</del>	<del>3</del>	<del>-8</del>
<del>3.684</del>	<del>3.600</del>	<del>36</del>	<del>74</del>	<del>3</del>	<del>-7</del>
<del>3.584</del>	<del>3.500</del>	<del>35</del>	<del>72</del>	<del>3</del>	<del>-6</del>
<del>3.484</del>	<del>3.400</del>	<del>34</del>	<del>70</del>	<del>3</del>	<del>-5</del>
<del>3.284</del>	<del>3.300</del>	<del>33</del>	<del>68</del>	<del>3</del>	<del>-4</del>
<del>3.284</del>	<del>3.200</del>	<del>32</del>	<del>66</del>	<del>3</del>	<del>-3</del>
<del>3.184</del>	<del>3.100</del>	<del>31</del>	<del>64</del>	<del>3</del>	<del>-2</del>
<del>3.084</del>	<del>3.000</del>	<del>30</del>	<del>62</del>	<del>3</del>	<del>-1</del>
2.984	2.900	29	60	3	-0
<del>2.884</del>	<del>2.800</del>	<del>28</del>	<del>58</del>	<del>2</del>	<del>-9</del>
<del>2.784</del>	<del>2.700</del>	<del>27</del>	<del>56</del>	<del>2</del>	<del>-8</del>
<del>2.684</del>	<del>2.600</del>	<del>26</del>	<del>54</del>	<del>2</del>	<del>-7</del>
<del>2.584</del>	<del>2.500</del>	<del>25</del>	<del>52</del>	<del>2</del>	<del>-6</del>
<del>2.484</del>	<del>2.400</del>	<del>24</del>	<del>50</del>	<del>2</del>	<del>-5</del>
<del>2.384</del>	<del>2.300</del>	<del>23</del>	<del>48</del>	<del>2</del>	<del>-4</del>
<del>2.284</del>	<del>2.200</del>	<del>22</del>	<del>46</del>	<del>2</del>	<del>-3</del>
<del>2.184</del>	<del>2.100</del>	<del>21</del>	<del>44</del>	<del>2</del>	<del>-2</del>
<del>2.084</del>	<del>2.000</del>	<del>20</del>	<del>42</del>	<del>2</del>	<del>-1</del>
<del>1.984</del>	<del>1.900</del>	<del>19</del>	<del>40</del>	<del>2</del>	<del>-0</del>
<del>1.884</del>	<del>1.800</del>	<del>18</del>	<del>38</del>	<del>1</del>	<del>-9</del>
<del>1.784</del>	<del>1.700</del>	<del>17</del>	<del>36</del>	<del>1</del>	<del>-8</del>
<del>1.684</del>	<del>1.600</del>	<del>16</del>	<del>34</del>	<del>1</del>	<del>-7</del>
<del>1.584</del>	<del>1.500</del>	<del>15</del>	<del>32</del>	<del>1</del>	<del>-6</del>
<del>1.484</del>	<del>1.400</del>	<del>14</del>	<del>30</del>	<del>1</del>	<del>-5</del>
<del>1.384</del>	<del>1.300</del>	<del>13</del>	<del>28</del>	<del>1</del>	<del>-4</del>
<del>1.284</del>	<del>1.200</del>	<del>12</del>	<del>26</del>	<del>1</del>	<del>-3</del>
<del>1.184</del>	<del>1.100</del>	<del>11</del>	<del>24</del>	<del>1</del>	<del>-2</del>
<del>1.084</del>	<del>1.000</del>	<del>10</del>	<del>22</del>	<del>1</del>	<del>-1</del>
.984	.900	9	20	1	-0
<del>.884</del>	<del>.800</del>	<del>8</del>	<del>18</del>	<del>1</del>	<del>-9</del>
.784	.700	7	16		-8
.684	.600	6	14		-7
.584	.500	5	12		-6
.484	.400	4	10		-5
.384	.300	3	8		-4
.284	.200	2	6		-3
.184	.100	1	4		-2
.084	-	-	2		103783-1
C	B	A	NO OF POS	ASSEMBLY PART NUMBER	

THIS DRAWING IS A CONTROLLED DOCUMENT.

DWN: L.D.RINGLEY 7-25-85  
 CHK: R.ELICKER 7-25-85  
 APVD: R.ELICKER 7-25-85

DIMENSIONS: INCHES  
 TOLERANCES UNLESS OTHERWISE SPECIFIED:  
 0 PLC ± -  
 1 PLC ± -  
 2 PLC ± -  
 3 PLC ± .005  
 4 PLC ± -  
 ANGLES ± -

MATERIAL: HOUSING-FLAME RETARDANT THERMOPLASTIC  
 COLOR-BLACK  
 POSTS: BRASS

FINISH: POSTS 4

TE Connectivity  
 ASSEMBLY, MOD II, HEADER, BREAKAWAY, DOUBLE ROW, .100X .100 CL, WITH .025 SQUARE POSTS

SIZE: A2  
 CAGE CODE: 00779  
 DRAWING NO: 103783  
 RESTRICTED TO: -

CUSTOMER DRAWING  
 SCALE: 4:1  
 SHEET: 1 of 1  
 REV: G2