



Chipsmall Limited consists of a professional team with an average of over 10 year of expertise in the distribution of electronic components. Based in Hongkong, we have already established firm and mutual-benefit business relationships with customers from,Europe,America and south Asia,supplying obsolete and hard-to-find components to meet their specific needs.

With the principle of “Quality Parts,Customers Priority,Honest Operation,and Considerate Service”,our business mainly focus on the distribution of electronic components. Line cards we deal with include Microchip,ALPS,ROHM,Xilinx,Pulse,ON,Everlight and Freescale. Main products comprise IC,Modules,Potentiometer,IC Socket,Relay,Connector.Our parts cover such applications as commercial,industrial, and automotives areas.

We are looking forward to setting up business relationship with you and hope to provide you with the best service and solution. Let us make a better world for our industry!



## Contact us

Tel: +86-755-8981 8866 Fax: +86-755-8427 6832

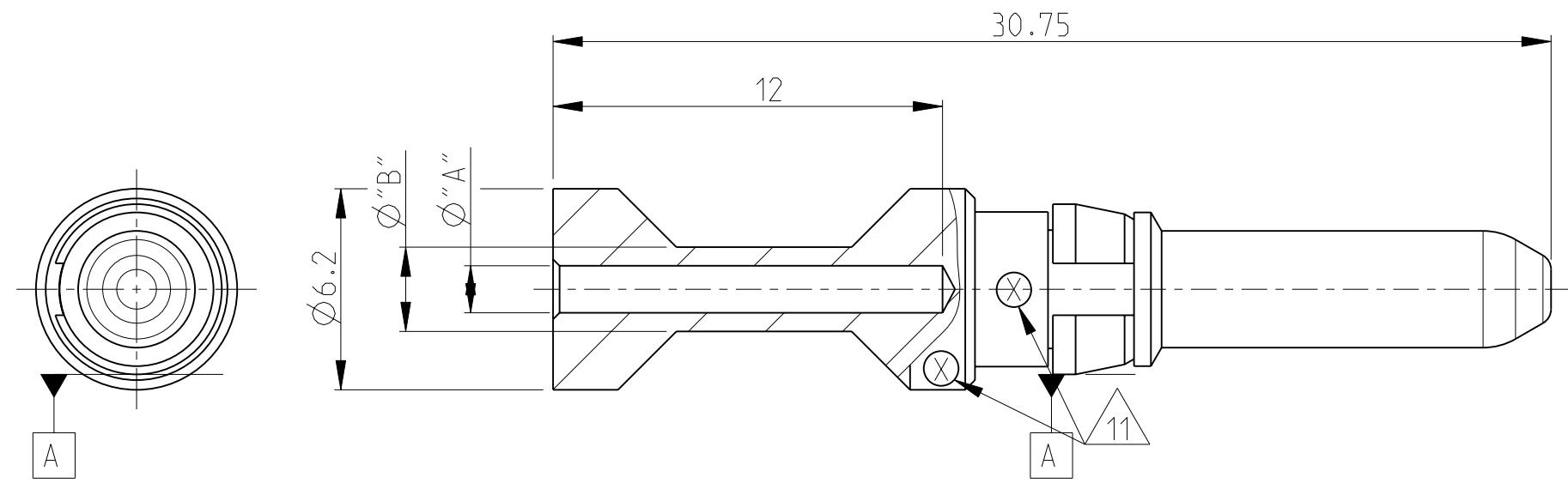
Email & Skype: info@chipsmall.com Web: www.chipsmall.com

Address: A1208, Overseas Decoration Building, #122 Zhenhua RD., Futian, Shenzhen, China



THIS DRAWING IS UNPUBLISHED. RELEASED FOR PUBLICATION 2006  
 © COPYRIGHT 2006 BY TYCO ELECTRONICS CORPORATION. ALL RIGHTS RESERVED.

LOC	DIST	REVISIONS				
P	LTR	DESCRIPTION	DATE	DWN	APVD	
B1	-	A2	PN3-2; 5-2; 6-2 OBSOLETE Eg00-1426-03	17.04.03	SR	SM
		A3	ECR-09-005436	10MAR2010	VG	MH



Notes

- 1 MATERIAL: BRASS
- 2 FINISH SILVER PLATING: 2 µm Ag MIN. OVER Cu
- 3 FINISH GOLD PLATING: 0.75 µm Au MIN. OVER Ni
- 4 NO VENTILATION HOLE REQUIRED AT CROSS-SECTION >4.0 MM<sup>2</sup>
- 5 WEIGHT: 3.33 g, VOLUME: 394mm<sup>3</sup> (APPROX.)
- 6 SUITABLE SOCKET CONTACT: CUSTOMER DRAWING 1105251
- 7 SUITABLE INSERTS: SERIES HSM, CUSTOMER DRAWING
- 8 SUITABLE CRIMP TOOL: PN 1-1105850-8
- 9 SUITABLE INSERTION TOOL: PN 0-1102855-6
- 10 SUITABLE EXTRACTION TOOL: PN 0-1102855-4
- 11 CROSS-SECTION MARKING
- 12 STANDARDS: DIN EN 61984, DIN EN 60664-1

ORDERING TEXT	PLATING	CROSS SECTION	DIMENSIONS	CROSS-SECTION MARKINGS	STRIPPING-LENGTH		
OBSOLETE	HSM.Sti.C.Au	10.0mm <sup>2</sup>	10	4.35	5.9	8	12
OBSOLETE	HSM.Sti.C.Au	6.0mm <sup>2</sup>	6.0	3.5	4.9	7	12
	HSM.Sti.C.Au	4.0mm <sup>2</sup>	4.0	2.85	3.9	6	12
OBSOLETE	HSM.Sti.C.Au	2.5mm <sup>2</sup>	2.5	2.2	3.2	5	12
	HSM.Sti.C.Au	1.5mm <sup>2</sup>	1.5	1.8	3.0	4	12
	HSM.Sti.C.Au	0.75mm <sup>2</sup>	0.75-1.0	1.45	2.6	3	12
	HSM.Sti.C.Ag	10.0mm <sup>2</sup>	10	4.35	5.9	8	12
	HSM.Sti.C.Ag	6.0mm <sup>2</sup>	6.0	3.5	4.9	7	12
	HSM.Sti.C.Ag	4.0mm <sup>2</sup>	4.0	2.85	3.9	6	12
	HSM.Sti.C.Ag	2.5mm <sup>2</sup>	2.5	2.2	3.2	5	12
	HSM.Sti.C.Ag	1.5mm <sup>2</sup>	1.5	1.8	3.0	4	12
	HSM.Sti.C.Ag	0.75mm <sup>2</sup>	0.75-1.0	1.45	2.6	3	12
			[MM <sup>2</sup> ]	"A"	"B"	CROSS-SECTION MARKINGS	[mm]

<small>THIS DRAWING IS A CONTROLLED DOCUMENT FOR TYCO ELECTRONICS CORPORATION IT IS SUBJECT TO CHANGE AND THE CONTROLLING ENGINEERING ORGANIZATION SHOULD BE CONTACTED FOR THE LATEST REVISION.</small>		DWN V.GLUMM 10MAR2010 CHK H.BRAUN 10MAR2010 APVD T.SCHNURPFIL 10MAR2010	<b>Tyco Electronics</b> Tyco Electronics AMP GmbH 53757 Sankt Augustin (Germany)		
DIMENSIONS: mm 		PRODUCT SPEC APPLICATION SPEC WEIGHT	NAME: PIN CONTACT SERIES HSM SIZE: A3 CAGE CODE: 00779 DRAWING NO: 1105250 RESTRICTED TO: -		
MATERIAL: 1 		FINISH: 2 3 		SCALE: 5:1 SHEET: 1 OF 1 REV: A3	

