



Chipsmall Limited consists of a professional team with an average of over 10 year of expertise in the distribution of electronic components. Based in Hongkong, we have already established firm and mutual-benefit business relationships with customers from,Europe,America and south Asia,supplying obsolete and hard-to-find components to meet their specific needs.

With the principle of “Quality Parts,Customers Priority,Honest Operation,and Considerate Service”,our business mainly focus on the distribution of electronic components. Line cards we deal with include Microchip,ALPS,ROHM,Xilinx,Pulse,ON,Everlight and Freescale. Main products comprise IC,Modules,Potentiometer,IC Socket,Relay,Connector.Our parts cover such applications as commercial,industrial, and automotives areas.

We are looking forward to setting up business relationship with you and hope to provide you with the best service and solution. Let us make a better world for our industry!



Contact us

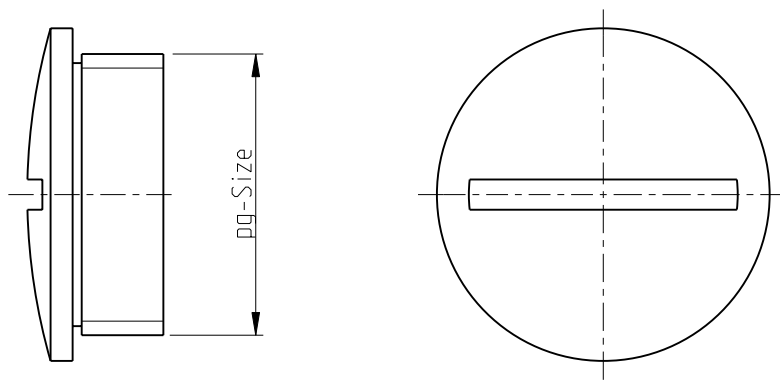
Tel: +86-755-8981 8866 Fax: +86-755-8427 6832

Email & Skype: info@chipsmall.com Web: www.chipsmall.com

Address: A1208, Overseas Decoration Building, #122 Zhenhua RD., Futian, Shenzhen, China

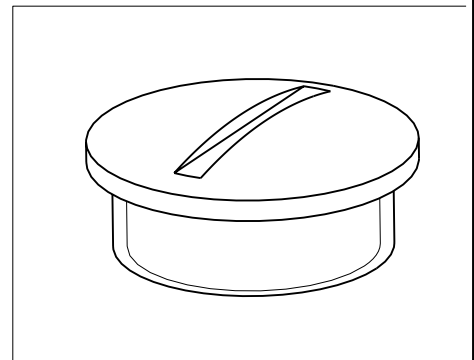


LOC A1	DIST -	REVISIONS			
P	LTR	DESCRIPTION	DATE	DWN	APVD
	B2	Released as per ECR-07-012890	01-06-07	SK	TS



NOTES

- 1 PARTS SHALL BE FREE AND CLEAN OF BURRS AND OTHER FOREIGN MATERIAL
- 2 PACKAGING QUANTITY: 10 PIECES IN A BOX



7-3	BS.42.MS	Brass	Nickel plated	42	-
6-3	BS.36.MS	Brass	Nickel plated	36	-
5-3	BS.29.MS	Brass	Nickel plated	29	-
4-3	BS.21.MS	Brass	Nickel plated	21	-
3-3	BS.16.MS	Brass	Nickel plated	16	-
2-3	BS.13.MS	Brass	Nickel plated	13.5	-
1-3	BS.11.MS	Brass	Nickel plated	11	-
PART NO	DESCRIPTION	MATERIAL	SURFACE	PG-SIZE	DIA "A"

RELEASED FOR PUBLICATION

THIS DRAWING IS UNPUBLISHED.

COPYRIGHT BY TYCO ELECTRONICS CORPORATION. ALL RIGHTS RESERVED.

DIMENSIONS: mm		DWN Gräf	16.10.97	MATERIAL	-	FINISH	-
TOLERANCES UNLESS OTHERWISE SPECIFIED: n.ISO 8015 n.ISO 2768-MH-E n.DIN 16901-120		CHK Schnurpfeil	16.10.97	Tyco Electronics Tyco Electronics, AMP, GmbH D-53819, Neunkirchen Germany			
		APVD	-				
0 PLC ± 1 PLC ± 2 PLC ± 3 PLC ± 4 PLC ± ANGLES ± -		PRODUCT SPEC	-	NAME DEAD END PLUG			
		APPLICATION SPEC	-	SIZE	A 4	CAGE CODE	00779
		WEIGHT	-	DRAWING NO	C= 1106056		RESTRICTED TO
		CUSTOMER DRAWING		SCALE	2:1	SHEET	1 OF 1
						REV	B2