



Chipsmall Limited consists of a professional team with an average of over 10 year of expertise in the distribution of electronic components. Based in Hongkong, we have already established firm and mutual-benefit business relationships with customers from,Europe,America and south Asia,supplying obsolete and hard-to-find components to meet their specific needs.

With the principle of “Quality Parts,Customers Priority,Honest Operation,and Considerate Service”,our business mainly focus on the distribution of electronic components. Line cards we deal with include Microchip,ALPS,ROHM,Xilinx,Pulse,ON,Everlight and Freescale. Main products comprise IC,Modules,Potentiometer,IC Socket,Relay,Connector.Our parts cover such applications as commercial,industrial, and automotives areas.

We are looking forward to setting up business relationship with you and hope to provide you with the best service and solution. Let us make a better world for our industry!



Contact us

Tel: +86-755-8981 8866 Fax: +86-755-8427 6832

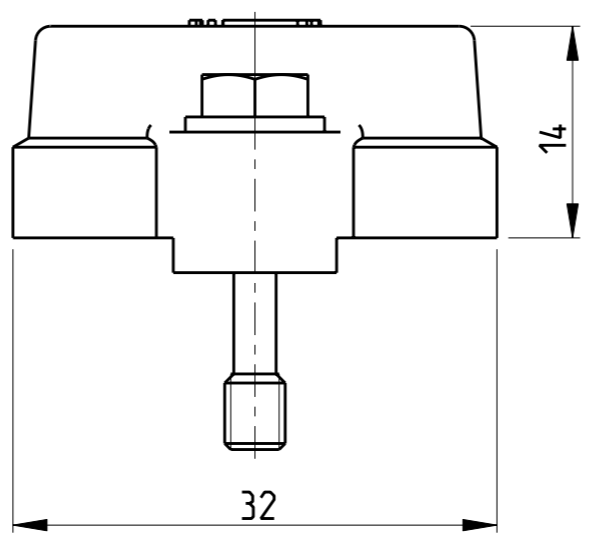
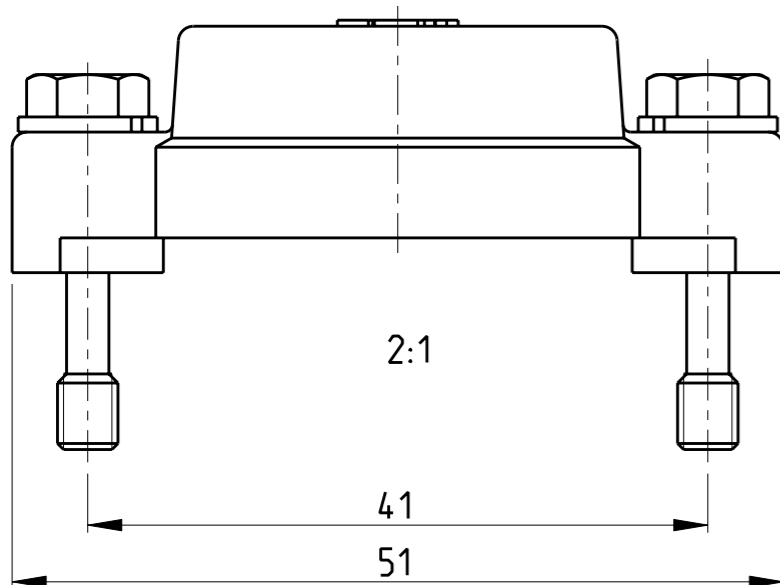
Email & Skype: info@chipsmall.com Web: www.chipsmall.com

Address: A1208, Overseas Decoration Building, #122 Zhenhua RD., Futian, Shenzhen, China



THIS DRAWING IS UNPUBLISHED. RELEASED FOR PUBLICATION 2009
 © COPYRIGHT 2009 BY TYCO ELECTRONICS CORPORATION. ALL RIGHTS RESERVED.

LOC	DIST	REVISIONS			
P	LTR	DESCRIPTION	DATE	DWN	APVD
A1	-	A3	ECR-09-023155	22OCT2009	VG AR

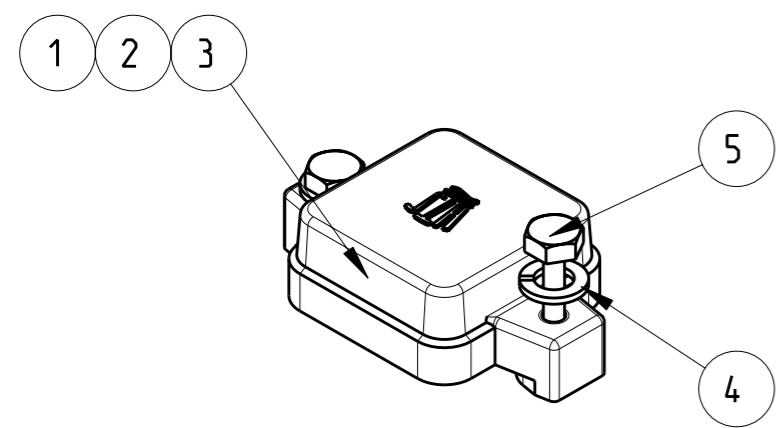


PN 3-5 AS SHOWN

Notes

- 1 SUITABLE HOUSINGS: SERIES EMV / HIP, SIZE 1
CUSTOMER DRAWING 1102603, 1102703, 1102602, 1102702, 1102601, 1106407, 1106401, 1102701
- 2 STANDARDS:
DIN EN 61984, DIN EN 60664-1
- 3 TOOL:
HEXAGON SCREW DRIVER 7mm
- 4 VARNISH ON INSIDE AREA NOT NECESSARY
- 5 PACKAGING:
10 SETS IN A CARTON, PRE-MOUNTED

PART NO.	ORDERING TEXT
0-1106200-1	EMV-K / HIP-K.3/4.SKB
4-1106200-5	EMV-K / HIP-K.3/4.SKB
3-1106200-5	EMV / HIP.3/4.SKB



1:1

PN/QTY	DESCRIPTION	MATERIAL	COLOR/SURFACE	NOTE	ITEM
2	SCREW, HEXAGON BOLT	STAINL. STEEL	BLANK	M4x22 DIN EN ISO 7964, REDUCED SHUNK	5
2	WASHER, PLAIN	STAINL. STEEL	BLANK	A4, DIN EN ISO 7089, 200HV	4
1	COVER	ALU	BLACK	SERIES EMV-K / HIP-K	3
-	COVER	ALU	BLACK	SERIES EMV-K / HIP-K	2
-	COVER	ALU	GREY	SERIES EMV / HIP	1

PARTS LIST (PER ONE UNIT)

<small>THIS DRAWING IS A CONTROLLED DOCUMENT FOR TYCO ELECTRONICS CORPORATION IT IS SUBJECT TO CHANGE AND THE CONTROLLING ENGINEERING ORGANIZATION SHOULD BE CONTACTED FOR THE LATEST REVISION.</small>		DWN V.GLUMM 27AUG2009 CHK H.Braun 27AUG2009 APVD T.Schnurpfeil 27AUG2009		Tyco Electronics AMP GmbH 64625 Bensheim (Germany)	
DIMENSIONS: mm 		TOLERANCES UNLESS OTHERWISE SPECIFIED: 0 PLC ±- 1 PLC ±- 2 PLC ±- 3 PLC ±- 4 PLC ±- ANGLES ±1°		NAME: COVER ASS'Y SERIES EMV / HIP, SIZE 1	
MATERIAL: -		FINISH: -		PRODUCT SPEC: - APPLICATION SPEC: - WEIGHT: -	
CUSTOMER DRAWING				SIZE: A3	CAGE CODE: 00779 DRAWING NO: C-1106200
SCALE: 2:1				SHEET: 1 OF 1	REV: A3