



Chipsmall Limited consists of a professional team with an average of over 10 year of expertise in the distribution of electronic components. Based in Hongkong, we have already established firm and mutual-benefit business relationships with customers from,Europe,America and south Asia,supplying obsolete and hard-to-find components to meet their specific needs.

With the principle of "Quality Parts,Customers Priority,Honest Operation,and Considerate Service",our business mainly focus on the distribution of electronic components. Line cards we deal with include Microchip,ALPS,ROHM,Xilinx,Pulse,ON,Everlight and Freescale. Main products comprise IC,Modules,Potentiometer,IC Socket,Relay,Connector.Our parts cover such applications as commercial,industrial, and automotives areas.

We are looking forward to setting up business relationship with you and hope to provide you with the best service and solution. Let us make a better world for our industry!



Contact us

Tel: +86-755-8981 8866 Fax: +86-755-8427 6832

Email & Skype: info@chipsmall.com Web: www.chipsmall.com

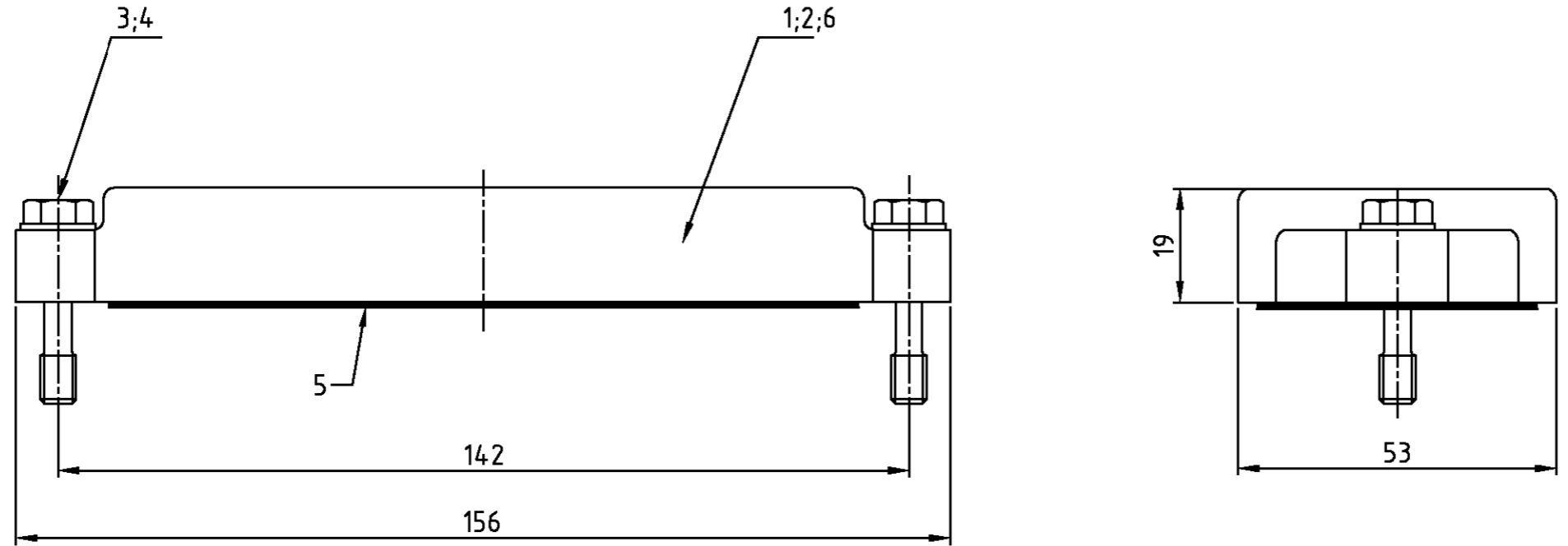
Address: A1208, Overseas Decoration Building, #122 Zhenhua RD., Futian, Shenzhen, China



THIS DRAWING IS UNPUBLISHED.
 VERTRAULICHE UNVERÖFFENTLICHTE ZEICHNUNG
 RELEASED FOR PUBLICATION
 FREI FUER VERÖFFENTLICHUNG
 .1999.
 BY AMP INCORPORATED. ALL RIGHTS RESERVED.
 ALLE RECHTE VORBEHALTEN

MATED WITH:
 PASSEND ZU:
 Bq8

LOC	DIST	REVISIONS ÄNDERUNGEN		
A1	-	P	LTR	DATE
PROJEKT NR.:		DESCRIPTION BESCHREIBUNG		DWN
-		PN 0-1 neu; EG00-0551-03		APVD
				17.02.03
				SR
				SM



Notes:

- ① Material: Housing: aluminium diecasting alloy
Seals: Neoprene
- ② Surface: - aluminiumoxid + Varnisch black
- grey
- ③ Varnish on the inside not necessarily

Bemerkungen:

- ① Material: Gehäuse: Alu-Druckguß-Legierung
Dichtung: Neoprene
- ② Oberfläche: - Aluminiumoxid + Lackierung schwarz
- grau
- ③ Lackierung im Gehäuseinnere ist nicht notwendig

1			Deckel HIP-K/EMV-K	Aluminium/ALU	Aluminium oxid	black/schwarz	6	neutral
1	1	1	Dichtung Bq8	Neoprene	-	black/schwarz	5	
2	2	2	Scheibe	V2A	blank	-	4	B6,4
2	2	2	Befestigungsschraube	V2A	blank	-	3	M6x30
		1	Deckel HIP-K/EMV-K	Aluminium/ALU	Aluminium oxid	black/schwarz	2	-
		1	Deckel HIP/EMV	Aluminium/ALU	-	grey/grau	1	-
0-1	4-5	3-5	DESCRIPTION / BENENNUNG	MATERIAL	SURFACE / OBERFLÄCHE	COLOR / FARBE	ITEM NO. POS.	REMARKS / BEMERKUNGEN

HIP/EMV-K.24/64.SKB HIP/EMV-K.24/64.SKB HIP/EMV.24/64.SKB	ORDERING TEXT / BESTELLTEXT	THIS DRAWING IS A CONTROLLED DOCUMENT FOR AMP INCORPORATED. IT IS SUBJECT TO CHANGE AND THE CONTROLLING ENGINEERING ORGANIZATION SHOULD BE CONTACTED FOR THE LATEST REVISION. DIESE ZEICHNUNG WIRD DURCH AMP INCORPORATED KONTROLLIERT. ÄNDERUNGEN, DIE DEM TECHNISCHEN FORTSCHRITT DIENEN, SIND VORBEHALTEN. DEN JEWELIGEN LETZTGÜLTIGEN ÄNDERUNGSSTAND ERFAHREN SIE AUF ANFRAGE.		DWN Schneider 28.05.01	AMP HTS Elektrotechnik 53819 Neunkirchen, Germany
		DIMENSIONS: DIMENSIONEN: mm	TOLERANCES UNLESS OTHERWISE SPECIFIED: ALLGEMEINTOLERANZEN	CHK Schnurpfeil 28.05.01	
			n. ISO 8015 n. ISO 2768 - mH - E n. DIN 16901 - 1&0	APVD -	
		MATERIAL	FINISH / OBERFLÄCHE / FARBE	NAME Cover HIP/EMV Deckel HIP/EMV.24/64.SKB	
		SIZE A3	CAGE CODE 00779	DRAWING NO ZEICHNUNGS-NR. 1106204	RESTRICTED TO NUR FUER -
		CUSTOMER DRAWING / KUNDENZEICHNUNG		SCALE MASSSTAB 1:1	SHEET BLATT 1
				OF VON 1	REV. A2