



Chipsmall Limited consists of a professional team with an average of over 10 year of expertise in the distribution of electronic components. Based in Hongkong, we have already established firm and mutual-benefit business relationships with customers from,Europe,America and south Asia,supplying obsolete and hard-to-find components to meet their specific needs.

With the principle of "Quality Parts,Customers Priority,Honest Operation,and Considerate Service",our business mainly focus on the distribution of electronic components. Line cards we deal with include Microchip,ALPS,ROHM,Xilinx,Pulse,ON,Everlight and Freescale. Main products comprise IC,Modules,Potentiometer,IC Socket,Relay,Connector.Our parts cover such applications as commercial,industrial, and automotives areas.

We are looking forward to setting up business relationship with you and hope to provide you with the best service and solution. Let us make a better world for our industry!



## Contact us

Tel: +86-755-8981 8866 Fax: +86-755-8427 6832

Email & Skype: info@chipsmall.com Web: www.chipsmall.com

Address: A1208, Overseas Decoration Building, #122 Zhenhua RD., Futian, Shenzhen, China



4

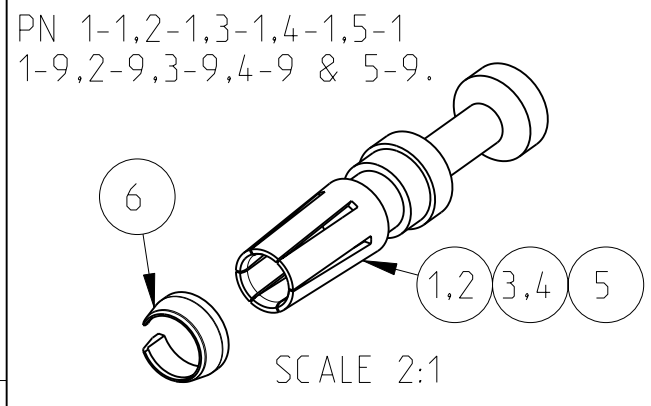
3

2

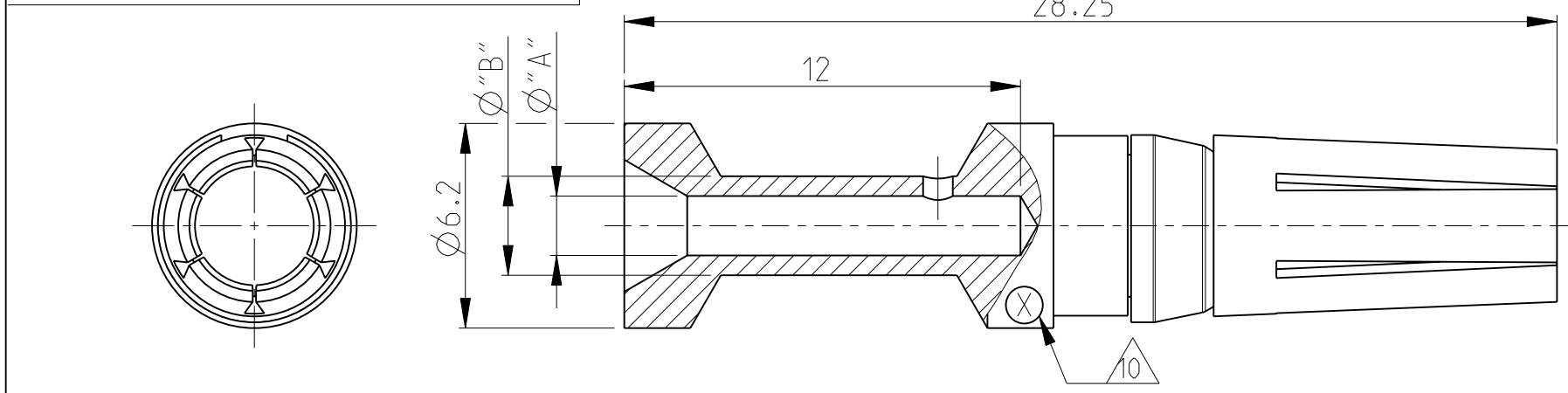
1

THIS DRAWING IS UNPUBLISHED. RELEASED FOR PUBLICATION 2006  
 © COPYRIGHT 2006 BY - ALL RIGHTS RESERVED.

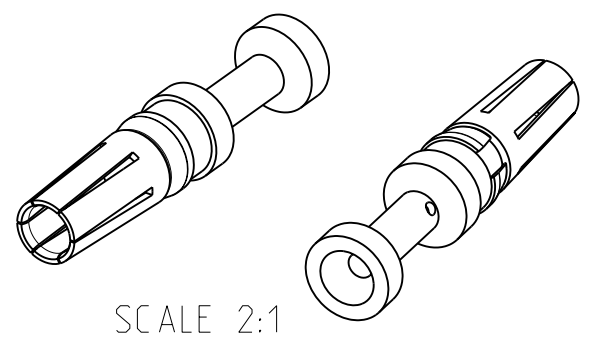
LOC	DIST	REVISIONS					
A1	-	P	LTR	DESCRIPTION	DATE	DWN	APVD
		A6		REVISED PER ECO-11-005030	24MAR2011	RK	HMR



- Notes
- 1 MATERIAL: BRASS
  - 2 FINISH SILVER PLATING: 2 μm Ag MIN. OVER Cu
  - 3 ASSEMBLY WEIGHT SEE TABLE. VOLUME: 479mm<sup>3</sup> (APPROX.)
  - 4 PACKAGING: 25 PIECES IN A POLY-BAG AND CARTON
  - 5 SUITABLE SOCKET CONTACT: PN 1108756
  - 6 SUITABLE INSERTS: SERIES HSK
  - 7 SUITABLE CRIMPING TOOL: PN 1-1105850-8
  - 8 SUITABLE INSERTION TOOL: PN 0-1102855-6
  - 9 SUITABLE EXTRACTION TOOL: PN 0-1102855-8
  - 10 CROSS-SECTION MARKING
  - 11 STANDARDS: DIN EN 61984, DIN EN 60664-1



1	1	1	1	1	1	1	1	1	1	Ni	CLIP	-	-	-	-	6		
1					1					Ag 2	SOCKET CONTACT	10	0.0030	4.35	5.9	8	12	5
	1					1					SOCKET CONTACT	6.0	0.0029	3.5	4.9	7	12	4
		1					1				SOCKET CONTACT	4.0	0.0027	2.85	3.9	6	12	3
			1					1			SOCKET CONTACT	2.5	0.0028	2.2	3.2	5	12	2
				1					1		SOCKET CONTACT	1.5	0.0028	1.8	3.0	4	12	1
5-9	4-9	3-9	2-9	1-9	5-1	4-1	3-1	2-1	1-1		[MM <sup>2</sup> ]			"A"	"B"	CROSS-SECTION MARKINGS	(MM)	ITEM NO
HS.K-C-Bu.Ag 10mm <sup>2</sup>	HS.K-C-Bu.Ag 6mm <sup>2</sup>	HS.K-C-Bu.Ag 4mm <sup>2</sup>	HS.K-C-Bu.Ag 2.5mm <sup>2</sup>	HS.K-C-Bu.Ag 1.5mm <sup>2</sup>	HS.K-C-Bu.Ag 10mm <sup>2</sup>	HS.K-C-Bu.Ag 6mm <sup>2</sup>	HS.K-C-Bu.Ag 4mm <sup>2</sup>	HS.K-C-Bu.Ag 2.5mm <sup>2</sup>	HS.K-C-Bu.Ag 1.5mm <sup>2</sup>	PLATING	DESCRIPTION	CROSS SECTION	WEIGHT IN (Kg)	DIMENSIONS		CROSS-SECTION MARKINGS	STRIPPING-LENGTH	
4	4	4	4	4	4	4	4	4	4				3			10		



THIS DRAWING IS A CONTROLLED DOCUMENT.

DIMENSIONS: mm

TOLERANCES UNLESS OTHERWISE SPECIFIED:  
 n. ISO 2768-mh-E  
 B. DIN 16901

0	PLC	±
1	PLC	±
2	PLC	±
3	PLC	±
4	PLC	±
	ANGLES	±

MATERIAL 1 FINISH 2

DWN SCHWEIGER 03Mar2008  
 CHK H.BRAUN 03Mar2008  
 APVD T. SCHNURPFIL 03Mar2008

NAME: PIN CONTACT SERIES HSK

PRODUCT SPEC: 108-74004  
 APPLICATION SPEC: 114-74003  
 WEIGHT: -

SIZE: A3 CAGE CODE: 00779 DRAWING NO: 1108756 RESTRICTED TO: -

CUSTOMER DRAWING SCALE: 5:1 SHEET: 1 OF 1 REV: A6