



Chipsmall Limited consists of a professional team with an average of over 10 year of expertise in the distribution of electronic components. Based in Hongkong, we have already established firm and mutual-benefit business relationships with customers from,Europe,America and south Asia,supplying obsolete and hard-to-find components to meet their specific needs.

With the principle of “Quality Parts,Customers Priority,Honest Operation,and Considerate Service”,our business mainly focus on the distribution of electronic components. Line cards we deal with include Microchip,ALPS,ROHM,Xilinx,Pulse,ON,Everlight and Freescale. Main products comprise IC,Modules,Potentiometer,IC Socket,Relay,Connector.Our parts cover such applications as commercial,industrial, and automotives areas.

We are looking forward to setting up business relationship with you and hope to provide you with the best service and solution. Let us make a better world for our industry!



## Contact us

Tel: +86-755-8981 8866 Fax: +86-755-8427 6832

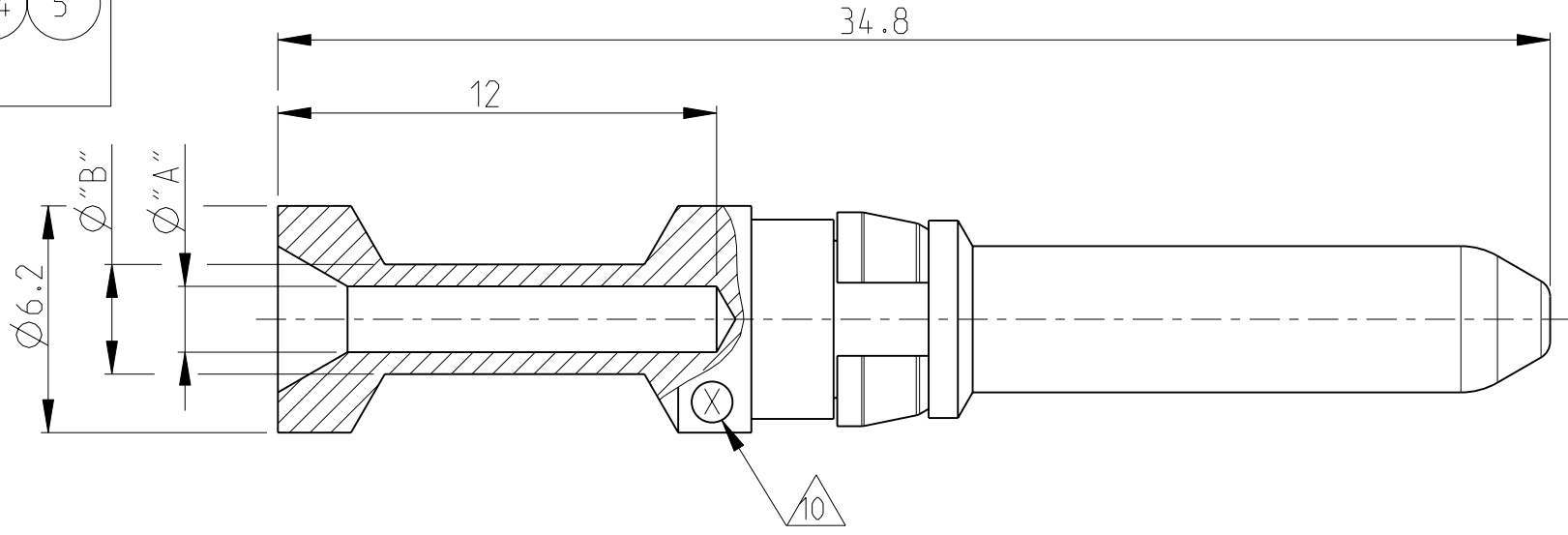
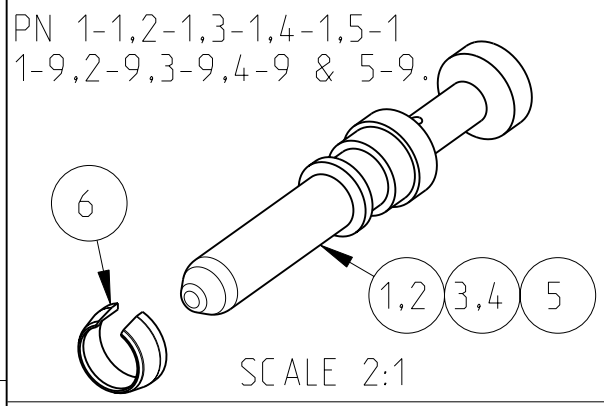
Email & Skype: info@chipsmall.com Web: www.chipsmall.com

Address: A1208, Overseas Decoration Building, #122 Zhenhua RD., Futian, Shenzhen, China



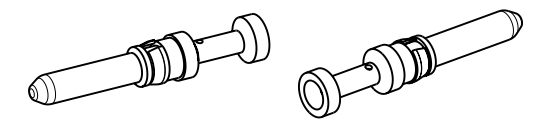
THIS DRAWING IS UNPUBLISHED. RELEASED FOR PUBLICATION 2006  
 © COPYRIGHT 2006 BY TYCO ELECTRONICS CORPORATION. ALL RIGHTS RESERVED.

LOC	DIST	REVISIONS					
A1	-	P	LTR	DESCRIPTION	DATE	DWN	APVD
		A5		Released Asper ECR-09-005436	9-Mar-2009	CJ	TS



- Notes
- 1 MATERIAL: BRASS
  - 2 FINISH SILVER PLATING: 2 μm Ag MIN. OVER Cu
  - 3 ASSEMBLY WEIGHT SEE TABLE. VOLUME: 479mm<sup>3</sup> (APPROX.)
  - 4 PACKAGING: 25 PIECES IN A POLY-BAG AND CARTON
  - 5 SUITABLE SOCKET CONTACT: PN 1108756
  - 6 SUITABLE INSERTS: SERIES HSK
  - 7 SUITABLE CRIMPING TOOL: PN 1-1105850-8
  - 8 SUITABLE INSERTION TOOL: PN 0-1102855-6
  - 9 SUITABLE EXTRACTION TOOL: PN 0-1102855-8
  - 10 CROSS-SECTION MARKING
  - 11 STANDARDS: DIN EN 61984, DIN EN 60664-1

1	1	1	1	1	1	1	1	1	1	Ni	CLIP	-	-	-	-	6		
1					1					Ag 2	PIN CONTACT	10	0.0041	4.35	5.9	8	12	5
	1					1					PIN CONTACT	6.0	0.0041	3.5	4.9	7	12	4
		1					1				PIN CONTACT	4.0	0.0041	2.85	3.9	6	12	3
			1					1			PIN CONTACT	2.5	0.0039	2.2	3.2	5	12	2
				1					1		PIN CONTACT	1.5	0.0040	1.8	3.0	4	12	1
5-9	4-9	3-9	2-9	1-9	5-1	4-1	3-1	2-1	1-1			[MM <sup>2</sup> ]		"A"	"B"	CROSS-SECTION MARKINGS	(MM)	ITEM NO
HS.K-C-Sti.Ag 10mm <sup>2</sup>	HS.K-C-Sti.Ag 6mm <sup>2</sup>	HS.K-C-Sti.Ag 4mm <sup>2</sup>	HS.K-C-Sti.Ag 2.5mm <sup>2</sup>	HS.K-C-Sti.Ag 1.5mm <sup>2</sup>	HS.K-C-Sti.Ag 10mm <sup>2</sup>	HS.K-C-Sti.Ag 6mm <sup>2</sup>	HS.K-C-Sti.Ag 4mm <sup>2</sup>	HS.K-C-Sti.Ag 2.5mm <sup>2</sup>	HS.K-C-Sti.Ag 1.5mm <sup>2</sup>	PLATING	DESCRIPTION	CROSS SECTION	WEIGHT IN (Kg)	DIMENSIONS		CROSS-SECTION MARKINGS	STRIPPING-LENGTH	
4	4	4	4	4	4	4	4	4	4				3			10		



SCALE 1:1

THIS DRAWING IS A CONTROLLED DOCUMENT FOR TYCO ELECTRONICS CORPORATION. IT IS SUBJECT TO CHANGE AND THE CONTROLLING ENGINEERING ORGANIZATION SHOULD BE CONTACTED FOR THE LATEST REVISION.

DIMENSIONS:	TOLERANCES UNLESS OTHERWISE SPECIFIED:
mm	n. ISO 2768-mh-E
	B. DIN 16901
	0 PLC ±
	1 PLC ±
	2 PLC ±
	3 PLC ±
	4 PLC ±
	ANGLES ±
MATERIAL	FINISH
1	2

DWN	03Mar2008	Tyco Electronics AMP GmbH 53757 Sankt Augustin, Germany							
CHK	03Mar2008								
APVD	03Mar2008								
NAME	T. SCHNURPFEL								
PRODUCT SPEC	108-74004	PIN CONTACT SERIES HSK							
APPLICATION SPEC	114-74003								
WEIGHT	-	SIZE	A3	CAGE CODE	00779	DRAWING NO	1108757	RESTRICTED TO	
CUSTOMER DRAWING		SCALE	5:1	SHEET	1	OF	1	REV	A5