



Chipsmall Limited consists of a professional team with an average of over 10 year of expertise in the distribution of electronic components. Based in Hongkong, we have already established firm and mutual-benefit business relationships with customers from,Europe,America and south Asia,supplying obsolete and hard-to-find components to meet their specific needs.

With the principle of "Quality Parts,Customers Priority,Honest Operation,and Considerate Service",our business mainly focus on the distribution of electronic components. Line cards we deal with include Microchip,ALPS,ROHM,Xilinx,Pulse,ON,Everlight and Freescale. Main products comprise IC,Modules,Potentiometer,IC Socket,Relay,Connector.Our parts cover such applications as commercial,industrial, and automotives areas.

We are looking forward to setting up business relationship with you and hope to provide you with the best service and solution. Let us make a better world for our industry!



## Contact us

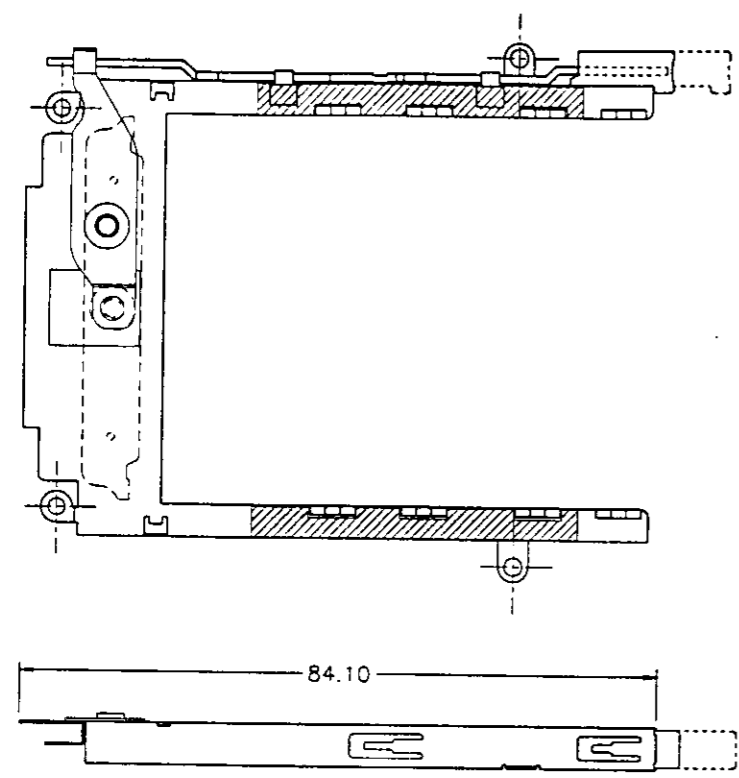
Tel: +86-755-8981 8866 Fax: +86-755-8427 6832

Email & Skype: info@chipsmall.com Web: www.chipsmall.com

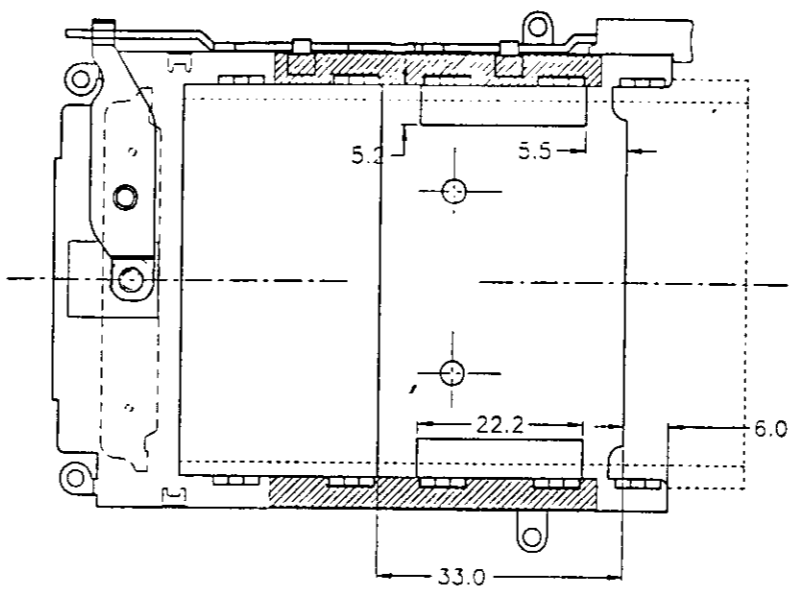
Address: A1208, Overseas Decoration Building, #122 Zhenhua RD., Futian, Shenzhen, China



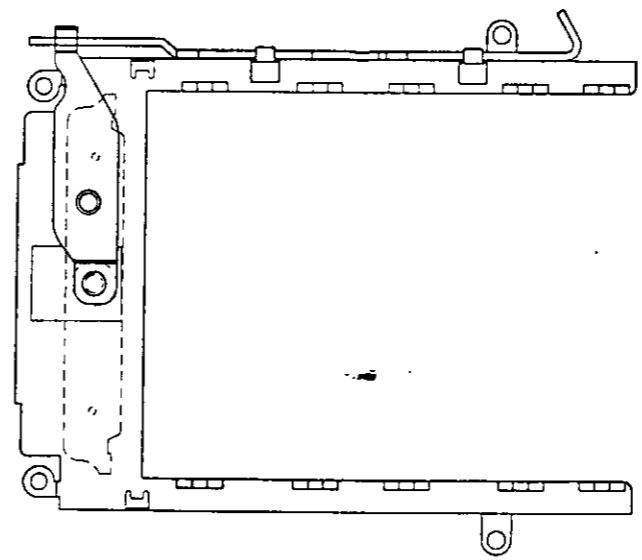




APPLIED FOR 3-11404-X & 4-11404-X SERIES.



APPLIED FOR 2-11404-1.



APPLIED FOR 0-11404-7.  $\triangle 10$   
WITHOUT KNOB; WITH HOOK; NO PLASTIC GUIDE INSERTED.

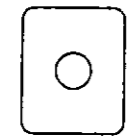


FIG-2

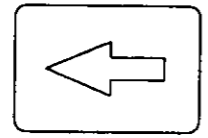
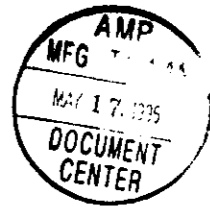


FIG-1

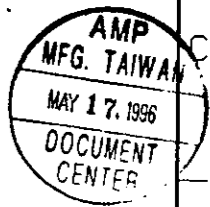
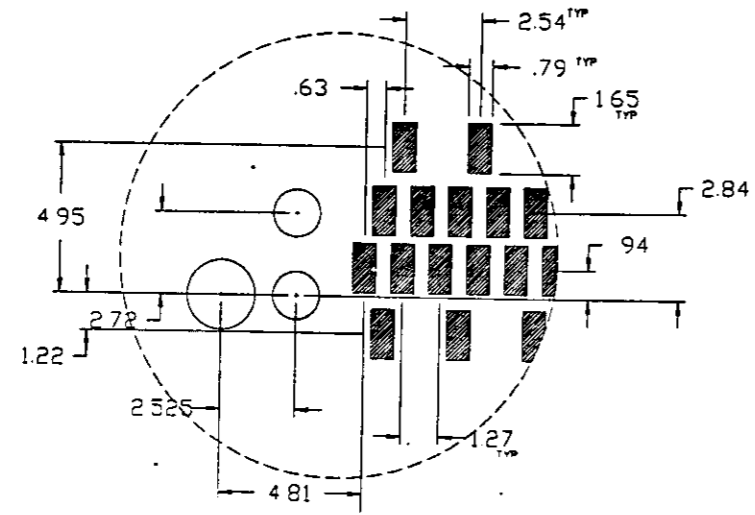
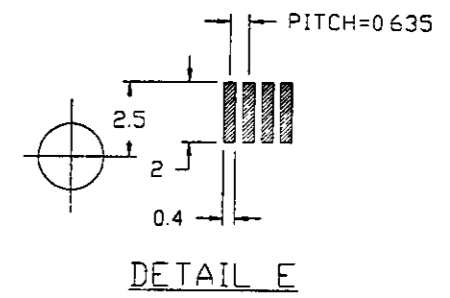
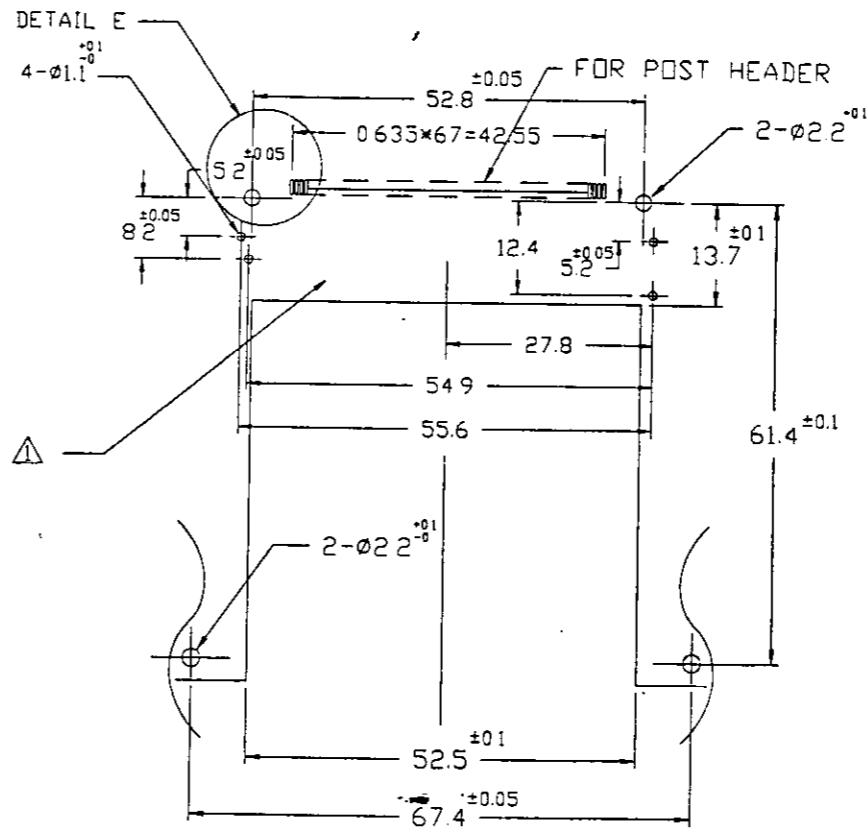
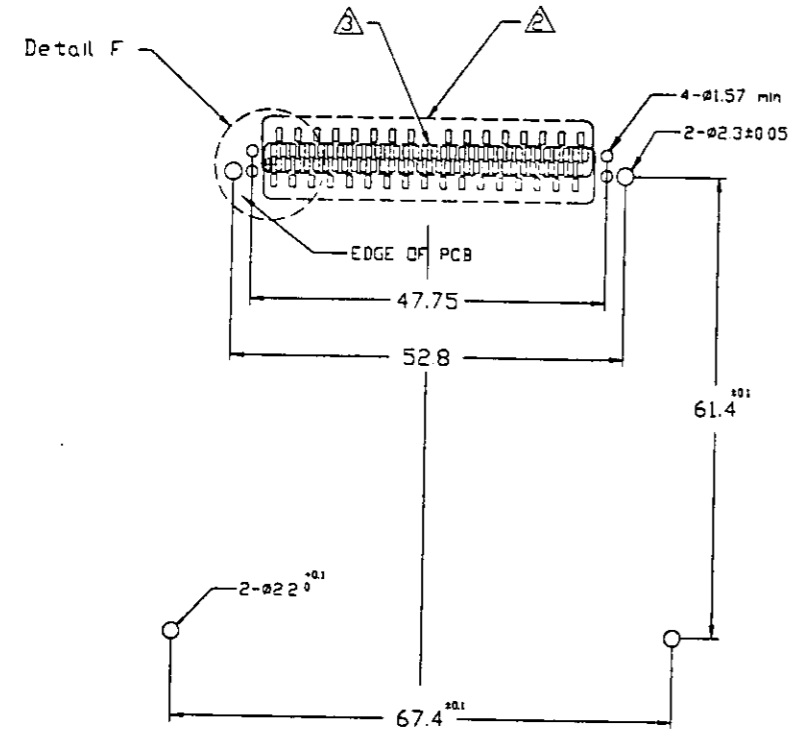


DIMENSIONS IN mm. DO NOT SCALE PRINT.

© 1993 BY AMP MANUFACTURING TAIWAN LTD. ALL RIGHTS RESERVED. PRODUCTS ARE COVERED BY PATENTS AND/OR PATENTS PENDING.				<b>AMP</b> AMP MANUFACTURING TAIWAN LTD.			
				(WIRE RANGE)		(INSULATION DIA.)	
(MATERIAL)		(FINISH)		PCMCIA			
DR. ALBERT YU CHK. ROBERT CHEN		RE. JACK CHANG APP. JACK CHANG		SINGLE EJECTOR ASSY F KNOB R GENERAL TOLERANCE: DECIMAL: ± 0.5 ANGULAR: ± 2'			
LTR. REVISION RECORD DR. CHK. DATE		SEE 1ST PAGE		SIZE: A3 (SCALE): 1:1	LOC: DW (NO.): C-11404 REV: F1 SHEET: 2/3		

(CUSTOMER DRAWING) 2.0628 2.114048

△ FOR JPN PCMCIA HDR, REFER PCB LAYOUT OF C-179034 OR C-179035  
 △ FOR USA CARDBUS HDR, REFER PCB LAYOUT OF C-146739-1  
 △ FOR USA CARDBUS HDR, REFER PCB LAYOUT OF C-146740-1



DIMENSIONS IN mm DO NOT SCALE PRINT.

© 1993 BY AMP MANUFACTURING TAIWAN LTD. ALL RIGHTS RESERVED. PRODUCTS ARE COVERED BY PATENTS AND/OR PATENTS PENDING.				<b>AMP</b> AMP MANUFACTURING TAIWAN LTD	
(MATERIAL) △		(FINISH)	PCMCIA SINGLE EJECTOR ASSY F KNOB R		
DR.		RE.	GENERAL TOLERANCE	SIZE A3	LDC DW
LTR.		CHK.	DECIMAL: ± 0.5	C-11404	
REVISION RECORD		DATE	ANGULAR: ± 2°	(SCALE) 1:1	REV F1
					SHEET 3/3