



Chipsmall Limited consists of a professional team with an average of over 10 year of expertise in the distribution of electronic components. Based in Hongkong, we have already established firm and mutual-benefit business relationships with customers from,Europe,America and south Asia,supplying obsolete and hard-to-find components to meet their specific needs.

With the principle of “Quality Parts,Customers Priority,Honest Operation,and Considerate Service”,our business mainly focus on the distribution of electronic components. Line cards we deal with include Microchip,ALPS,ROHM,Xilinx,Pulse,ON,Everlight and Freescale. Main products comprise IC,Modules,Potentiometer,IC Socket,Relay,Connector.Our parts cover such applications as commercial,industrial, and automotives areas.

We are looking forward to setting up business relationship with you and hope to provide you with the best service and solution. Let us make a better world for our industry!



## Contact us

Tel: +86-755-8981 8866 Fax: +86-755-8427 6832

Email & Skype: info@chipsmall.com Web: www.chipsmall.com

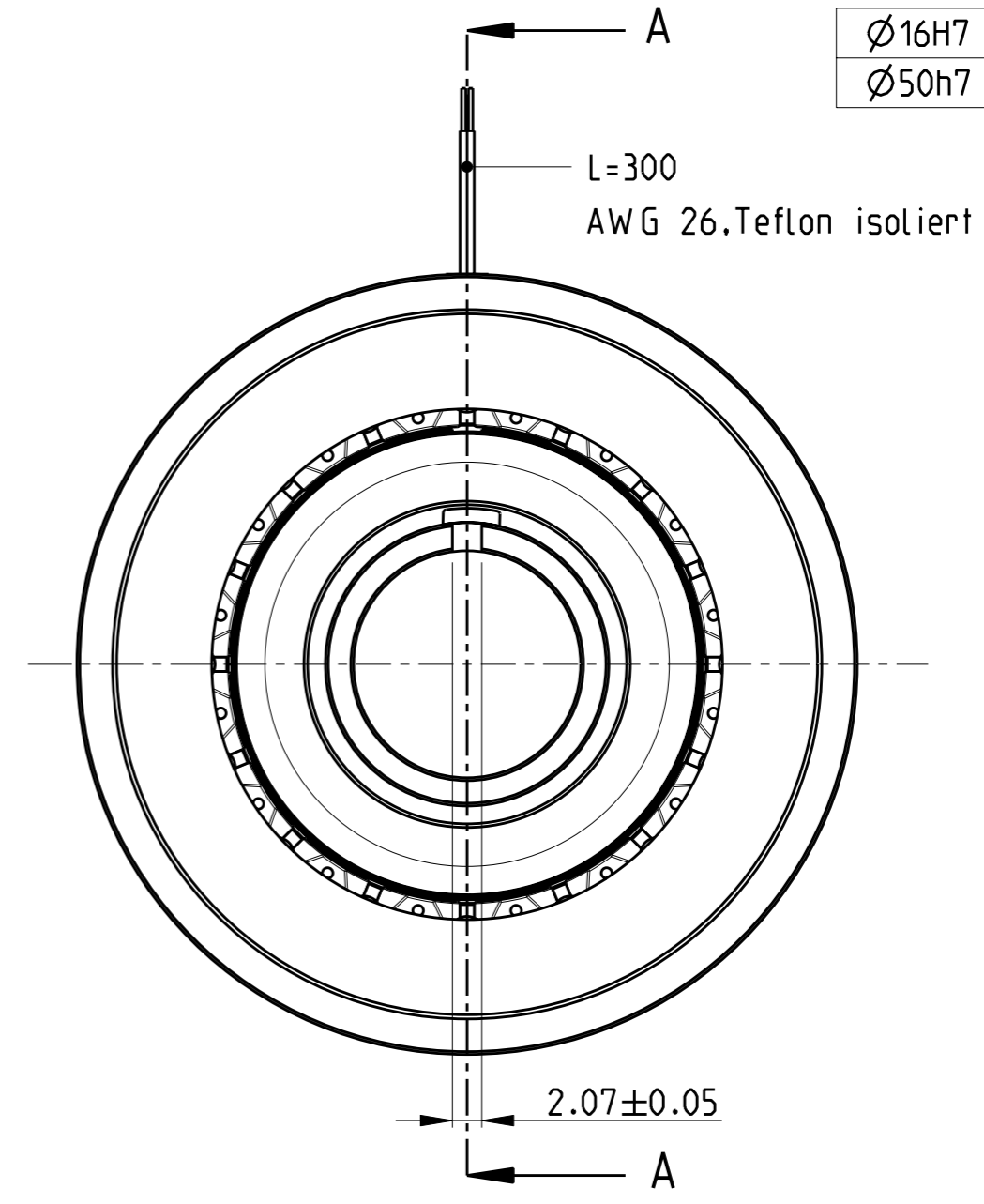
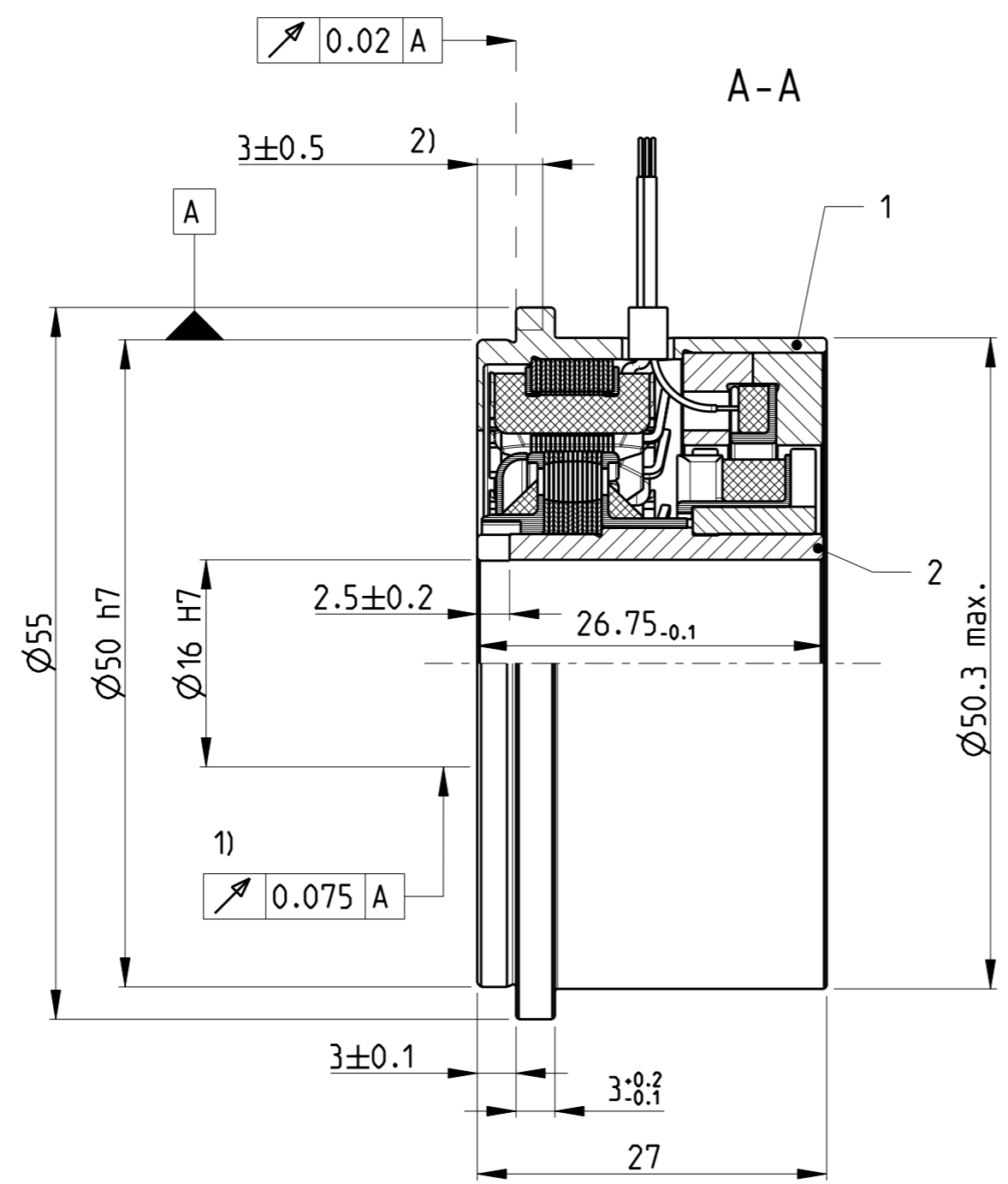
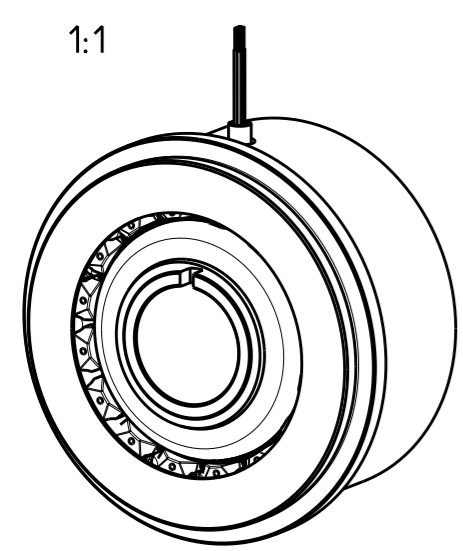
Address: A1208, Overseas Decoration Building, #122 Zhenhua RD., Futian, Shenzhen, China



THIS DRAWING IS UNPUBLISHED. RELEASED FOR PUBLICATION 2005  
 © COPYRIGHT 2005 BY TYCO ELECTRONICS CORPORATION. ALL RIGHTS RESERVED.

| LOC | DIST | REVISIONS     |             |     |      |
|-----|------|---------------|-------------|-----|------|
| P   | LTR  | DESCRIPTION   | DATE        | DWN | APVD |
| A1  | -    | New Drawing   | 25AUG2005   | Kr  | An   |
| A2  | -    | ECR-06-017801 | 24 JUL 2006 | Kr  | An   |
| C1  | -    | ECR-09-018278 | 20OCT2009   | Ma  | An   |

| Signal | Aderfarbe  |
|--------|------------|
| S1     | rot        |
| S2     | gelb       |
| S3     | schwarz    |
| S4     | blau       |
| R1     | rot-weiss  |
| R2     | gelb-weiss |



1) Gesamtschlag im eingebauten Zustand  
 2) Axialversatz

| ITEM NO   | PARTNUMBER  | DESCRIPTION                   | ITEM NO |
|---|-------------|-------------------------------|---------|
| 1   | 1-1824348-0 | Rotor kpl. / Bauform B2 (12N) | 2       |
| 1   | 1-1824206-0 | Gehäuse kpl. / Bauform T2     | 1       |
| 1-1824402-0   | PARTNUMBER  | DESCRIPTION                   | ITEM NO |
| REVISION OF EACH ASSY NO. (WHEN BLANK, USE DWG. REVISION) |             |                               |         |
| PARTS LIST  |             |                               |         |

|                |   |  |   |
|----------------|---|--|---|
| DIMENSIONS: mm |   | TOLERANCES UNLESS OTHERWISE SPECIFIED: |   |
| 0 PLC          | ± | 0 PLC                                  | ± |
| 1 PLC          | ± | 1 PLC                                  | ± |
| 2 PLC          | ± | 2 PLC                                  | ± |
| 3 PLC          | ± | 3 PLC                                  | ± |
| 4 PLC          | ± | 4 PLC                                  | ± |
| ANGLES         | ± | ANGLES                                 | ± |
| MATERIAL       | - | FINISH                                 | - |

|                  |        |                  |                               |            |                           |
|------------------|--------|------------------|-------------------------------|------------|---------------------------|
| DWN              | Kraus  | 03MAY2005        | <b>tyco</b> Electronics       |            | tyco Electronics AMP GmbH |
| CHK              | -      | -                | -                             |            | D - 67346 Speyer          |
| APVD             | Andrae | 24 JUL 2006      | NAME                          |            |                           |
| PRODUCT SPEC     |        |                  | Massbild Hohlwellendrehmelder |            |                           |
| APPLICATION SPEC |        |                  | Dimensional Drawing Resolver  |            |                           |
| -                |        |                  | V23401-T2009-B202             |            |                           |
| SIZE             | A3     | CAGE CODE        | 00779                         | DRAWING NO | C-4-1393048-2             |
| WEIGHT           | -      | CUSTOMER DRAWING |                               | SCALE      | 2:1                       |
| -                |        |                  |                               | SHEET      | 1 OF 1                    |
| -                |        |                  |                               | REV        | C1                        |

Ersetzt / replace V23401-T2009-B202