



Chipsmall Limited consists of a professional team with an average of over 10 year of expertise in the distribution of electronic components. Based in Hongkong, we have already established firm and mutual-benefit business relationships with customers from,Europe,America and south Asia,supplying obsolete and hard-to-find components to meet their specific needs.

With the principle of “Quality Parts,Customers Priority,Honest Operation,and Considerate Service”,our business mainly focus on the distribution of electronic components. Line cards we deal with include Microchip,ALPS,ROHM,Xilinx,Pulse,ON,Everlight and Freescale. Main products comprise IC,Modules,Potentiometer,IC Socket,Relay,Connector.Our parts cover such applications as commercial,industrial, and automotives areas.

We are looking forward to setting up business relationship with you and hope to provide you with the best service and solution. Let us make a better world for our industry!



Contact us

Tel: +86-755-8981 8866 Fax: +86-755-8427 6832

Email & Skype: info@chipsmall.com Web: www.chipsmall.com

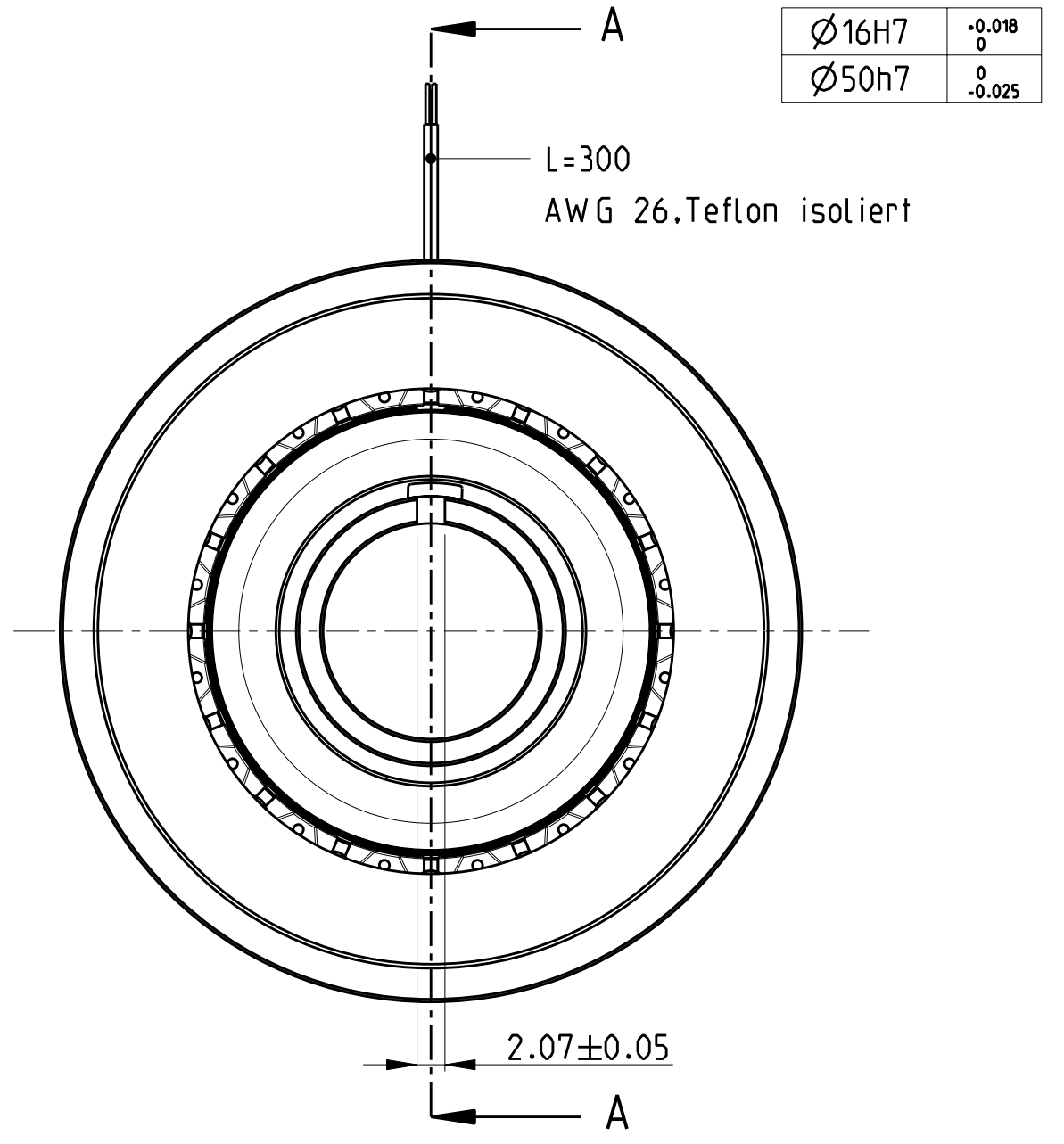
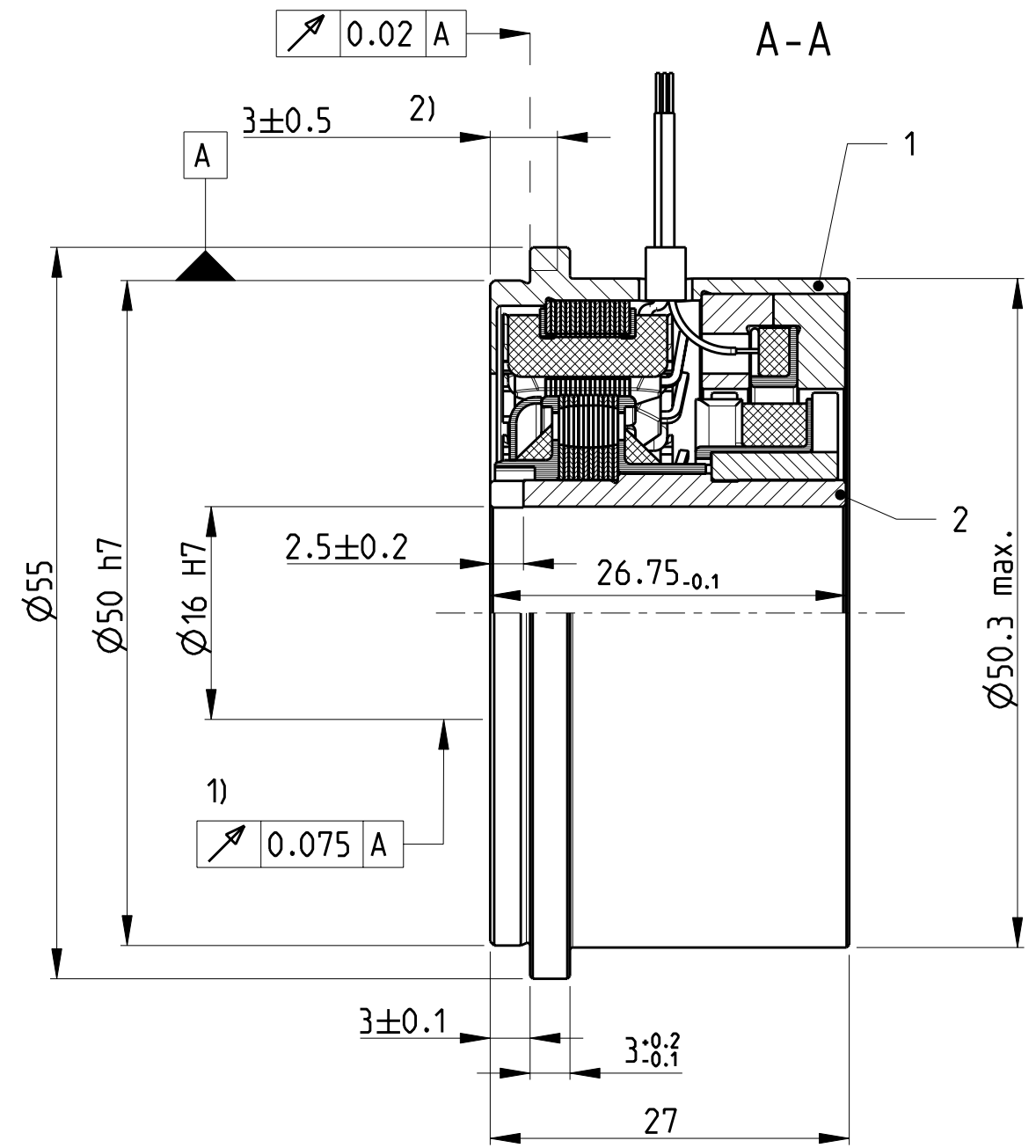
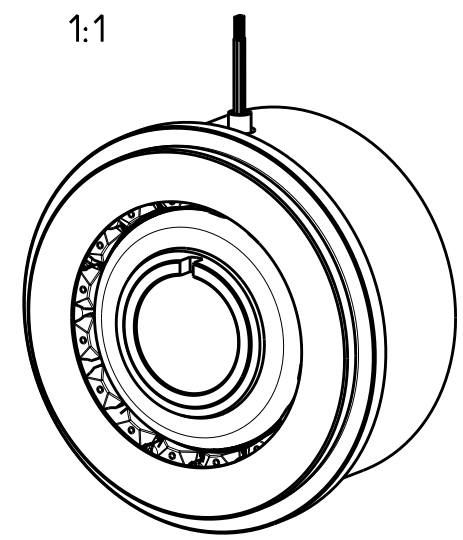
Address: A1208, Overseas Decoration Building, #122 Zhenhua RD., Futian, Shenzhen, China



THIS DRAWING IS UNPUBLISHED. RELEASED FOR PUBLICATION 2005
 © COPYRIGHT 2005 BY TYCO ELECTRONICS CORPORATION. ALL RIGHTS RESERVED.

LOC	DIST	REVISIONS			
P	LTR	DESCRIPTION	DATE	DWN	APVD
A1	-	New Drawing	25AUG2005	Kr	An
A2	-	ECR-06-017801	24 JUL 2006	Kr	An
C1	-	ECR-09-018278	20OCT2009	Ma	An

Signal	Aderfarbe
S1	rot
S2	gelb
S3	schwarz
S4	blau
R1	rot-weiss
R2	gelb-weiss



1) Gesamtschlag im eingebauten Zustand
 2) Axialversatz

ITEM NO	PARTNUMBER	DESCRIPTION	ITEM NO
1	1-1824348-0	Rotor kpl. / Bauform B2 (12N)	2
1	1-1824206-0	Gehäuse kpl. / Bauform T2	1
1-1824402-0	PARTNUMBER	DESCRIPTION	ITEM NO
REVISION OF EACH ASSY NO. (WHEN BLANK, USE DWG. REVISION)			
PARTS LIST			

DIMENSIONS:		TOLERANCES UNLESS OTHERWISE SPECIFIED:	
mm		0 PLC	±
		1 PLC	±
		2 PLC	±
		3 PLC	±
		4 PLC	±
		ANGLES	±
MATERIAL	-	FINISH	-

DWN	Kraus	03MAY2005	tyco tyco Electronics AMP GmbH	
CHK	-	-	D - 67346 Speyer	
APVD	Andrae	24 JUL 2006	NAME	
PRODUCT SPEC	-	-	Massbild Hohlwellendrehmelder	
APPLICATION SPEC	-	-	Dimensional Drawing Resolver	
WEIGHT	-	-	V23401-T2010-B209	
CUSTOMER DRAWING	SCALE	2:1	SHEET	1 OF 1
	SIZE	A3	DRAWING NO	C-4-1393048-3
	CAGE CODE	00779	RESTRICTED TO	-
	REV	C1		