



Chipsmall Limited consists of a professional team with an average of over 10 year of expertise in the distribution of electronic components. Based in Hongkong, we have already established firm and mutual-benefit business relationships with customers from,Europe,America and south Asia,supplying obsolete and hard-to-find components to meet their specific needs.

With the principle of "Quality Parts,Customers Priority,Honest Operation,and Considerate Service",our business mainly focus on the distribution of electronic components. Line cards we deal with include Microchip,ALPS,ROHM,Xilinx,Pulse,ON,Everlight and Freescale. Main products comprise IC,Modules,Potentiometer,IC Socket,Relay,Connector.Our parts cover such applications as commercial,industrial, and automotives areas.

We are looking forward to setting up business relationship with you and hope to provide you with the best service and solution. Let us make a better world for our industry!



## Contact us

Tel: +86-755-8981 8866 Fax: +86-755-8427 6832

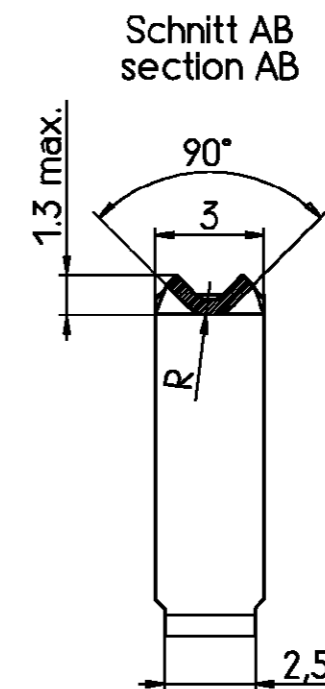
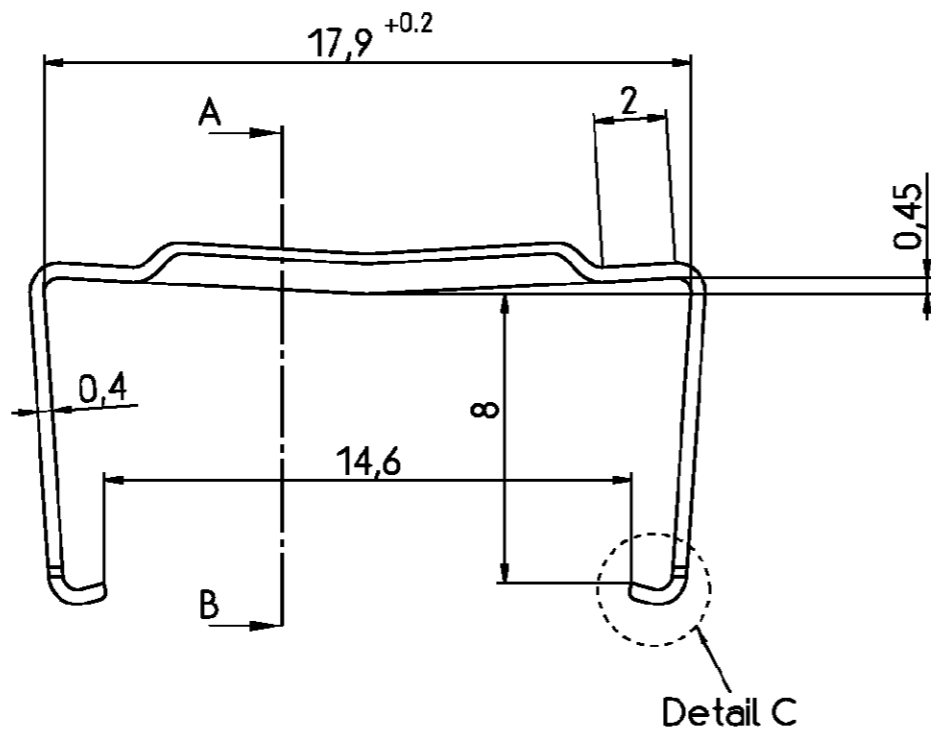
Email & Skype: info@chipsmall.com Web: www.chipsmall.com

Address: A1208, Overseas Decoration Building, #122 Zhenhua RD., Futian, Shenzhen, China

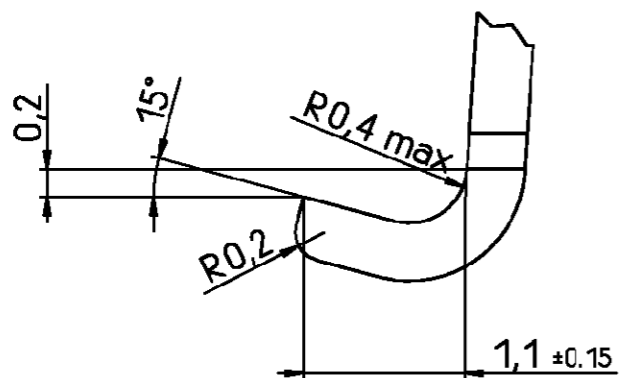


THIS INFORMATION IS CONFIDENTIAL AND PROPRIETARY TO TYCO ELECTRONICS CORPORATION AND ITS WORLDWIDE  
 SUBSIDIARIES AND AFFILIATES. IT MAY NOT BE DISCLOSED TO ANYONE, OTHER THAN TYCO ELECTRONICS PERSONNEL,  
 WITHOUT WRITTEN AUTHORIZATION FROM TYCO ELECTRONICS CORPORATION, HARRISBURG PENNSYLVANIA USA

PROPRIETARY:



Detail C (20:1)



<b>tyco</b>		TYCO ELECTRONICS CORPORATION		SCALE 5:1 (20:1)		WEIGHT	
<b>Electronics</b>		OOSTKAMP - BELGIUM		DIMENSIONS IN MM		MATERIAL	
DATE 03.02.93		NAME Sterckx		PART NAME		Bügel Sub-D Schneidklemmanschuß	
DEP. PE Com PE&SE				PART NO.		9 pol. Ausführung	
				TOLERANCE UNLESS SPECIFIED OTHERWISE ±0.2		Strain relief clamp D-Sub IDC	
A WO00/7020		28 AUG 00 KV		Customer Drawing Nr. C 4-1393560-3		9-contacts version	
01		03.02.93 RST				SHT. 1+	
51		03.02.93 RST				V42254-A4000-D9-*-*27	
REV. CHANGE ORDER		DATE APP.				OF 2	