



Chipsmall Limited consists of a professional team with an average of over 10 year of expertise in the distribution of electronic components. Based in Hongkong, we have already established firm and mutual-benefit business relationships with customers from,Europe,America and south Asia,supplying obsolete and hard-to-find components to meet their specific needs.

With the principle of “Quality Parts,Customers Priority,Honest Operation,and Considerate Service”,our business mainly focus on the distribution of electronic components. Line cards we deal with include Microchip,ALPS,ROHM,Xilinx,Pulse,ON,Everlight and Freescale. Main products comprise IC,Modules,Potentiometer,IC Socket,Relay,Connector.Our parts cover such applications as commercial,industrial, and automotives areas.

We are looking forward to setting up business relationship with you and hope to provide you with the best service and solution. Let us make a better world for our industry!



Contact us

Tel: +86-755-8981 8866 Fax: +86-755-8427 6832

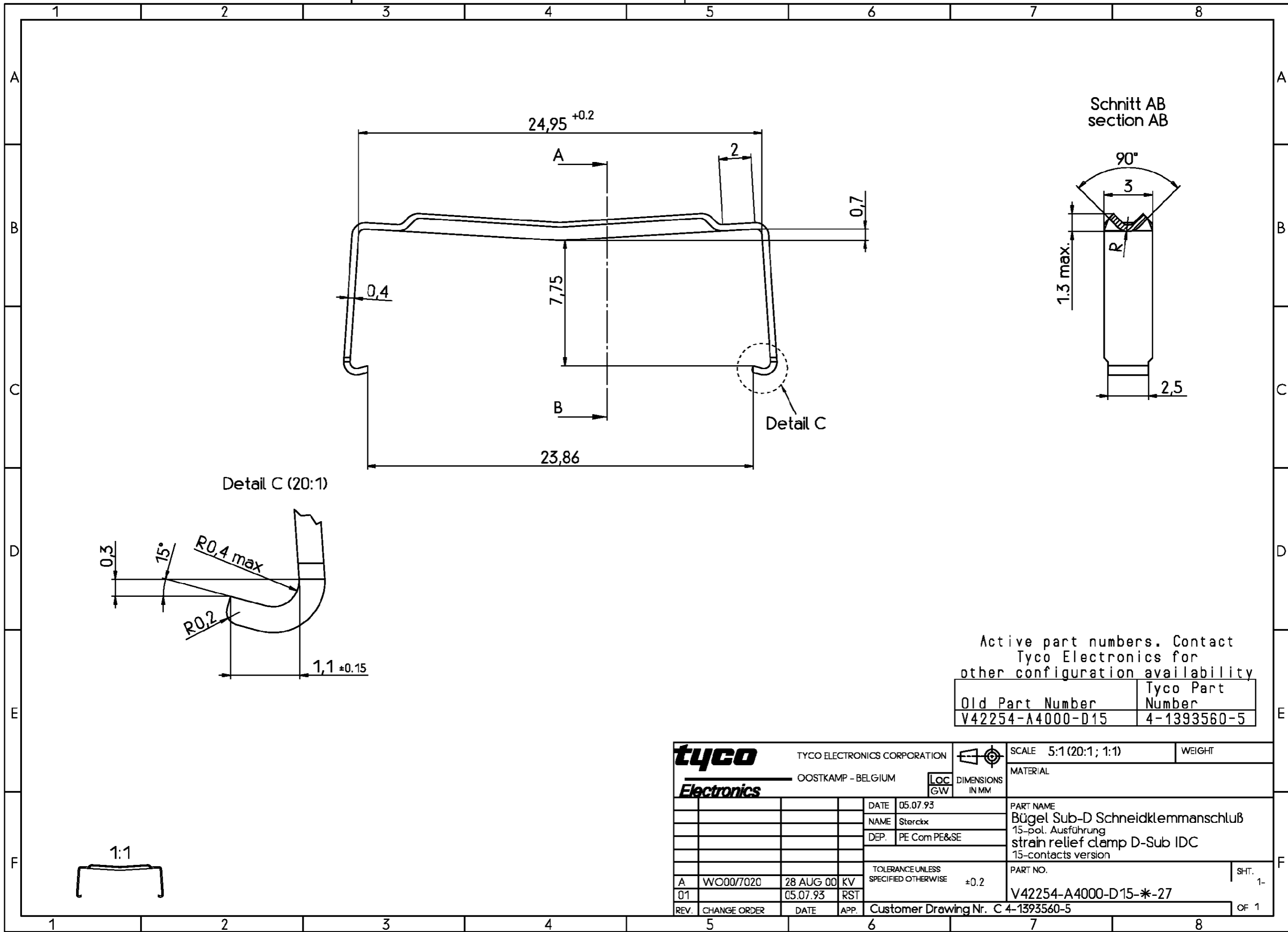
Email & Skype: info@chipsmall.com Web: www.chipsmall.com

Address: A1208, Overseas Decoration Building, #122 Zhenhua RD., Futian, Shenzhen, China



THIS INFORMATION IS CONFIDENTIAL AND PROPRIETARY TO TYCO ELECTRONICS CORPORATION AND ITS WORLDWIDE
 SUBSIDIARIES AND AFFILIATES. IT MAY NOT BE DISCLOSED TO ANYONE, OTHER THAN TYCO ELECTRONICS PERSONNEL,
 WITHOUT WRITTEN AUTHORIZATION FROM TYCO ELECTRONICS CORPORATION, HARRISBURG PENNSYLVANIA USA

PROPRIETARY:



Active part numbers. Contact Tyco Electronics for other configuration availability

| Old Part Number | Tyco Part Number |
|------------------|------------------|
| V42254-A4000-D15 | 4-1393560-5 |

| | | | | | |
|--|--------------|---|------|------------------------------------|--|
| tyco TYCO ELECTRONICS CORPORATION | | SCALE 5:1 (20:1; 1:1) | | WEIGHT | |
| OOSTKAMP - BELGIUM | | DIMENSIONS IN MM | | MATERIAL | |
| LOC GW | | DATE 05.07.93 | | PART NAME | |
| | | NAME Sterckx | | Bügel Sub-D Schneidklemmanschluß | |
| | | DEP. PE Com PE&SE | | 15-pol. Ausführung | |
| | | | | strain relief clamp D-Sub IDC | |
| | | | | 15-contacts version | |
| | | TOLERANCE UNLESS SPECIFIED OTHERWISE ±0.2 | | PART NO. | |
| A | WO00/7020 | 28 AUG 00 | KV | V42254-A4000-D15-*27 | |
| 01 | | 05.07.93 | RST | | |
| REV. | CHANGE ORDER | DATE | APP. | Customer Drawing Nr. C 4-1393560-5 | |