



Chipsmall Limited consists of a professional team with an average of over 10 year of expertise in the distribution of electronic components. Based in Hongkong, we have already established firm and mutual-benefit business relationships with customers from,Europe,America and south Asia,supplying obsolete and hard-to-find components to meet their specific needs.

With the principle of “Quality Parts,Customers Priority,Honest Operation,and Considerate Service”,our business mainly focus on the distribution of electronic components. Line cards we deal with include Microchip,ALPS,ROHM,Xilinx,Pulse,ON,Everlight and Freescale. Main products comprise IC,Modules,Potentiometer,IC Socket,Relay,Connector.Our parts cover such applications as commercial,industrial, and automotives areas.

We are looking forward to setting up business relationship with you and hope to provide you with the best service and solution. Let us make a better world for our industry!



Contact us

Tel: +86-755-8981 8866 Fax: +86-755-8427 6832

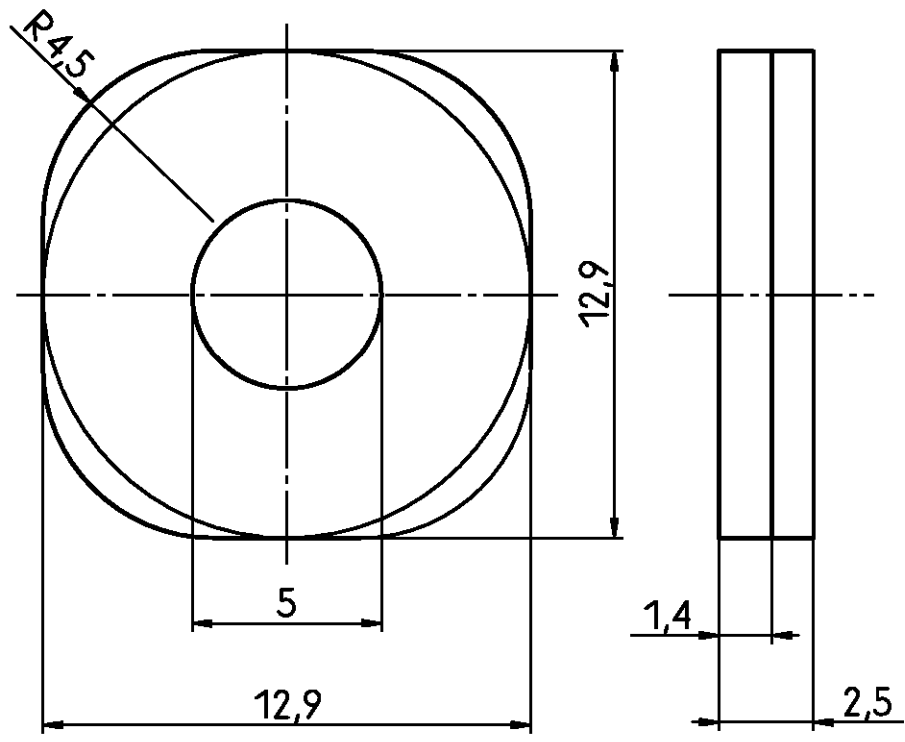
Email & Skype: info@chipsmall.com Web: www.chipsmall.com

Address: A1208, Overseas Decoration Building, #122 Zhenhua RD., Futian, Shenzhen, China



1 2 3 4

A
B
C
D
E
F



Old Part Number	Tyco Part Number	colour
V42254-A6205-L1	4-1393561-7	grey
V42254-A6205-L100	4-1393561-8	black



Tyco Electronics Corporation
Oostkamp - Belgium



LOC DIMENSIONS
GW IN MM

SCALE 5:1

WEIGHT

MATERIAL

DATE	28.07.88
NAME	Vandewyngaerde
DEP.	PD Com P&SE
EC	

PART NAME
bushing
D-Sub housing

A	WO00/7013	03.07.00	KV
01		28.07.88	VDW

TOLERANCE UNLESS SPECIFIED OTHERWISE

PART NO. V42254-A6205-L1-*27

customer drawing number: C 4-1393561-7

SHT. 1-
OF 1

1 2 3 4

THIS INFORMATION IS CONFIDENTIAL AND PROPRIETARY TO TYCO ELECTRONICS CORPORATION AND ITS WORLDWIDE SUBSIDIARIES AND AFFILIATES. IT MAY NOT BE DISCLOSED TO ANYONE, OTHER THAN TYCO ELECTRONICS PERSONNEL, WITHOUT WRITTEN AUTHORIZATION FROM TYCO ELECTRONICS CORPORATION, HARRISBURG, PENNSYLVANIA USA.

PROPRIETARY: