



Chipsmall Limited consists of a professional team with an average of over 10 year of expertise in the distribution of electronic components. Based in Hongkong, we have already established firm and mutual-benefit business relationships with customers from,Europe,America and south Asia,supplying obsolete and hard-to-find components to meet their specific needs.

With the principle of “Quality Parts,Customers Priority,Honest Operation,and Considerate Service”,our business mainly focus on the distribution of electronic components. Line cards we deal with include Microchip,ALPS,ROHM,Xilinx,Pulse,ON,Everlight and Freescale. Main products comprise IC,Modules,Potentiometer,IC Socket,Relay,Connector.Our parts cover such applications as commercial,industrial, and automotives areas.

We are looking forward to setting up business relationship with you and hope to provide you with the best service and solution. Let us make a better world for our industry!



## Contact us

Tel: +86-755-8981 8866 Fax: +86-755-8427 6832

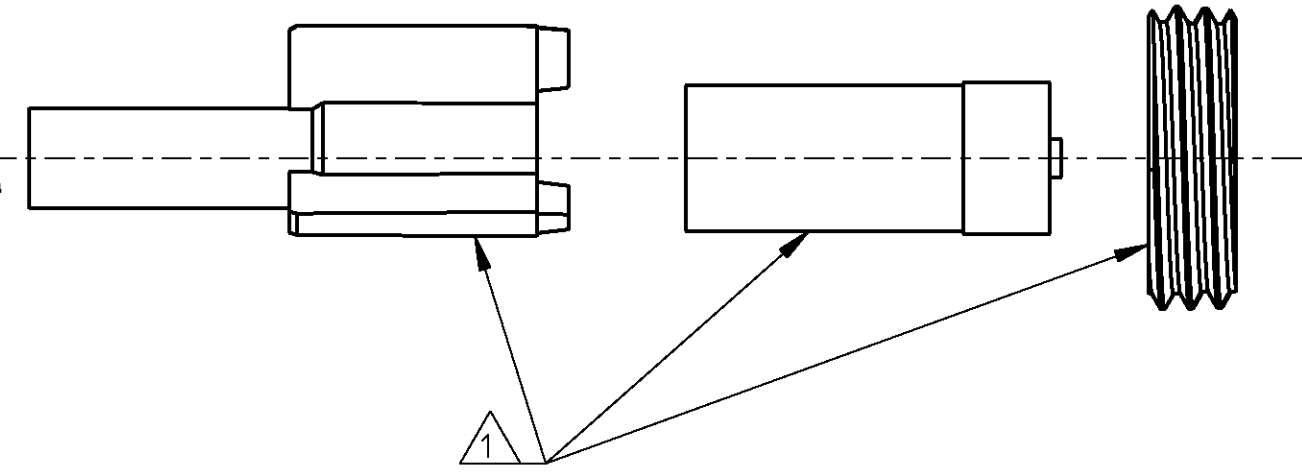
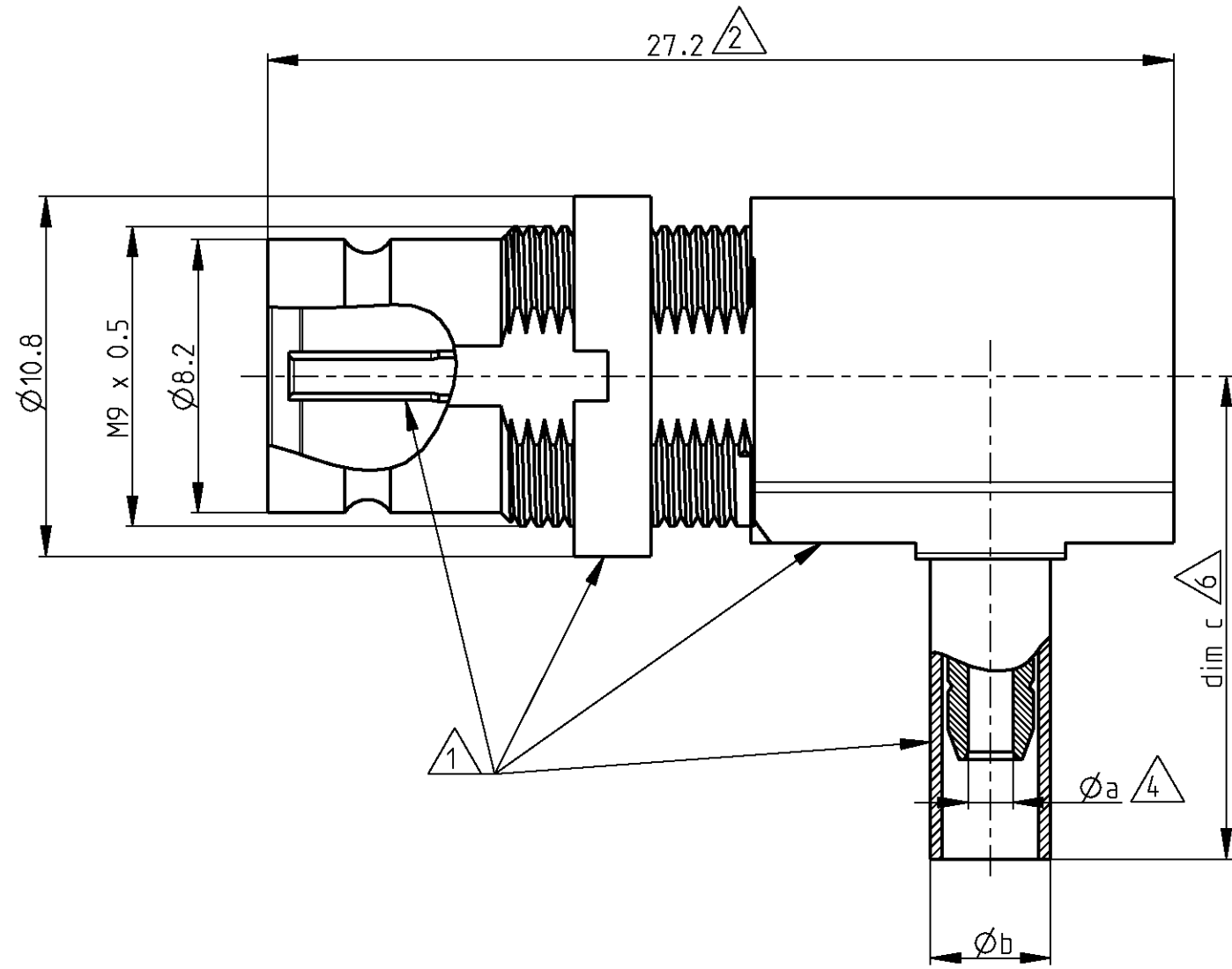
Email & Skype: info@chipsmall.com Web: www.chipsmall.com

Address: A1208, Overseas Decoration Building, #122 Zhenhua RD., Futian, Shenzhen, China



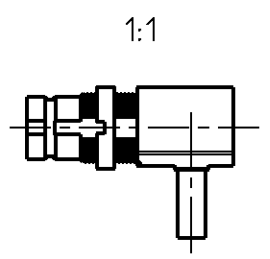
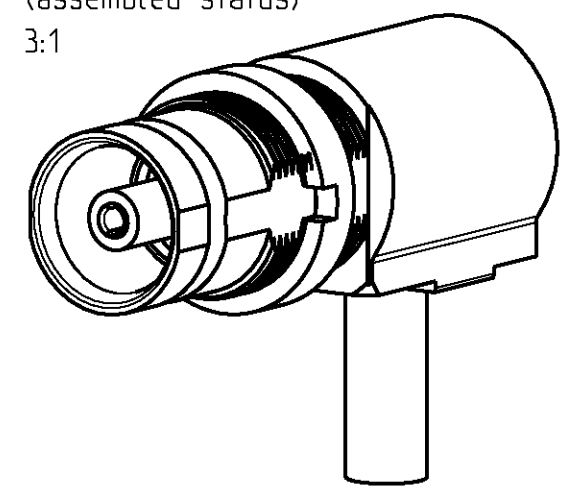
THIS DRAWING IS UNPUBLISHED. RELEASED FOR PUBLICATION 2000  
 © COPYRIGHT 2000 BY TYCO ELECTRONICS CORPORATION. ALL RIGHTS RESERVED.

LOC	DIST	REVISIONS					
		P	LTR	DESCRIPTION	DATE	DWN	APVD
IS	-		A1	extra PN added	01AUG2001	BL	KM
			A2	extra PN added + dim c corrected + pack. info	27JUN2003	FH	RL
			A3	extra PN added	05MAR2004	FH	RL
			B	ECR-07-019253	13AUG07	AN	DB
			B1	REVISED PER ECO-10-000445	27JAN10	KK	HMR



- △6 Maximum, as delivered.
- 5) Mating face according to DIN 47295/CECC 22240.
- △4 Minimum dimension.
- 3) All dimensions are maximum unless otherwise specified.
- △2 Maximum dimension when fully assembled.
- △1 Supplied as loose part.

3D VIEW  
(assembled status)  
3:1



<small>THIS DRAWING IS A CONTROLLED DOCUMENT FOR TYCO ELECTRONICS CORPORATION          IT IS SUBJECT TO CHANGE AND THE CONTROLLING ENGINEERING ORGANIZATION          SHOULD BE CONTACTED FOR THE LATEST REVISION.</small>		DWN 02MAR2001 B. Ienvain		Tyco Electronics CH - Switzerland - Lugano	
DIMENSIONS: mm		TOLERANCES UNLESS OTHERWISE SPECIFIED: 0 PLC ± 1 PLC ± 2 PLC ± 3 PLC ± 4 PLC ± ANGLES ±		CHK 05APR2001 K. Mattheeuws APVD 05APR2001 R. Leeman	
MATERIAL see table		FINISH see table		NAME Right angle bulkhead cable jack 1.6/5.6 (75 ohm)	
		PRODUCT SPEC - APPLICATION SPEC 114-71024		SIZE A3 CAGE CODE 00779 DRAWING NO. C-3-1393680-0 RESTRICTED TO -	
		WEIGHT -		CUSTOMER DRAWING SCALE 5:1 SHEET 1 OF 2 REV B1	

THIS DRAWING IS UNPUBLISHED. RELEASED FOR PUBLICATION 2000  
 © COPYRIGHT 2000 BY TYCO ELECTRONICS CORPORATION. ALL RIGHTS RESERVED.

LOC	DIST	REVISIONS			
P	LTR	DESCRIPTION	DATE	DWN	APVD
		SEE SHEET 1	-	-	-

**CROSS REFERENCE TABLE**

Old part number	TE part number	Description	Material	Plating	Øa	Øb	dim c	Cable type
V23612-A802-G41	3-1393680-0 7	Outer conductor	Brass	1µm Au min in contact area/min 0.1µm Au over min 2µm NiP	1.7	3.6	15	RG 179 B/U
		Center conductor	CuBe/Bronze	min 0.1µm Au over min 2µm NiP				
		Dielectric	PEEK/PC	-				
V23612-A802-G62	<del>3-1393680-5</del> 7	Outer conductor	Brass	1µm Au min in contact area/min 0.1µm Au over min 2µm NiP	2.15	5.2	15	02XCS(mS) C6Y 0.45/2.0
		Center conductor	CuBe/Bronze	min 0.1µm Au over min 2µm NiP				
		Dielectric	PEEK/PC	-				
V23612-A802-G45	<del>3-1393680-2</del> 7	Outer conductor	Brass	1µm Au min in contact area/min 0.1µm Au over min 2µm NiP	2.55	6.2	15	02YCCY 0.4/2.5 LYC (mS) CY 0.4/2.5
		Center conductor	CuBe/Bronze	min 0.1µm Au over min 2µm NiP				
		Dielectric	PEEK/PC	-				
V23612-A802-G76	3-1393680-7 7	Outer conductor	Brass	1µm Au min in contact area/min 0.1µm Au over min 2µm NiP	2.15	5.2	15	02YS(St) CY 0.45/2.0
		Center conductor	CuBe/Bronze	min 0.1µm Au over min 2µm NiP				
		Dielectric	PEEK/PC	-				
V23612-A802-G76A	3-1393680-8 8	Outer conductor	Brass	1µm Au min in contact area/min 0.1µm Au over min 2µm NiP	2.15	5.2	15	02YS(St) CY 0.45/2.0
		Center conductor	CuBe/Bronze	min 0.1µm Au over min 2µm NiP				
		Dielectric	PEEK/PC	-				
-	1460042-1 9	Outer conductor	Brass	1µm Au min in contact area/min 0.1µm Au over min 2µm NiP	2.15	5.2	15	02YS(St)CY 0.45/2.0
		Center conductor	CuBe/Bronze	min 0.1µm Au over min 2µm NiP				
		Dielectric	PEEK/PC	-				
V23612-A802-G73	4-1393682-3 7	Outer conductor	Brass	1µm Au min in contact area/min 0.1µm Au over min 2µm NiP	1.7	4.3	15	02XSC(St) 6Y 0.37/1.6
		Center conductor	CuBe/Bronze	min 0.1µm Au over min 2µm NiP				
		Dielectric	PEEK/PC	-				
-	1460128-1 8	Outer conductor	Brass	1µm Au min in contact area/min 0.1µm Au over min 2µm NiP	1.35	3.8	15	02YS(St) CHH 0.25/1.2 0.25/1.3 HF 75 0.25/1.15
		Center conductor	CuBe/Bronze	min 0.1µm Au over min 2µm NiP				
		Dielectric	PEEK/PC	-				
-	1460169-1 7 10	Outer conductor	Brass	1µm Au min in contact area/min 0.1µm Au over min 2µm NiP	1.35	3.8	15	02YS(St) CHH 0.25/1.2 0.25/1.3 HF 75 0.25/1.15
		Center conductor	CuBe/Bronze	min 0.1µm Au over min 2µm NiP				
		Dielectric	PEEK/PC	-				

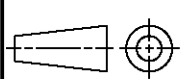
11  
**OBSOLETE**


**OBSOLETE**

11  
**OBSOLETE**

- 7 Individual packaging
- 8 Tray packaging
- 9 Bulk packaging
- 10 Supplied with shrink sleeve 7-1196879-5, 25mm Long.
- 11 OBSOLETE PARTS: OBSOLETE CIS STREAMLINING PER D.RENAUD/D.SINISI

THIS DRAWING IS A CONTROLLED DOCUMENT FOR TYCO ELECTRONICS CORPORATION. IT IS SUBJECT TO CHANGE AND THE CONTROLLING ENGINEERING ORGANIZATION SHOULD BE CONTACTED FOR THE LATEST REVISION.

DIMENSIONS: mm	TOLERANCES UNLESS OTHERWISE SPECIFIED:
	0 PLC ± 1 PLC ± 2 PLC ± 3 PLC ± 4 PLC ± ANGLES ±
MATERIAL see table	FINISH see table

DWN B. Ienvain 02MAR2001	 Tyco Electronics CH - Switzerland - Lugano
CHK K. Mattheeuws 05APR2001	
APVD R. Leeman 05APR2001	
PRODUCT SPEC -	NAME Right angle bulkhead cable jack 1.6/5.6 (75 ohm)
APPLICATION SPEC 114-71024	SIZE A3
WEIGHT -	CAGE CODE 00779
CUSTOMER DRAWING	DRAWING NO 3-1393680-0
SCALE 5:1	RESTRICTED TO -
SHEET 2	OF 2
REV B1	