



Chipsmall Limited consists of a professional team with an average of over 10 year of expertise in the distribution of electronic components. Based in Hongkong, we have already established firm and mutual-benefit business relationships with customers from,Europe,America and south Asia,supplying obsolete and hard-to-find components to meet their specific needs.

With the principle of “Quality Parts,Customers Priority,Honest Operation,and Considerate Service”,our business mainly focus on the distribution of electronic components. Line cards we deal with include Microchip,ALPS,ROHM,Xilinx,Pulse,ON,Everlight and Freescale. Main products comprise IC,Modules,Potentiometer,IC Socket,Relay,Connector.Our parts cover such applications as commercial,industrial, and automotives areas.

We are looking forward to setting up business relationship with you and hope to provide you with the best service and solution. Let us make a better world for our industry!



## Contact us

Tel: +86-755-8981 8866 Fax: +86-755-8427 6832

Email & Skype: info@chipsmall.com Web: www.chipsmall.com

Address: A1208, Overseas Decoration Building, #122 Zhenhua RD., Futian, Shenzhen, China



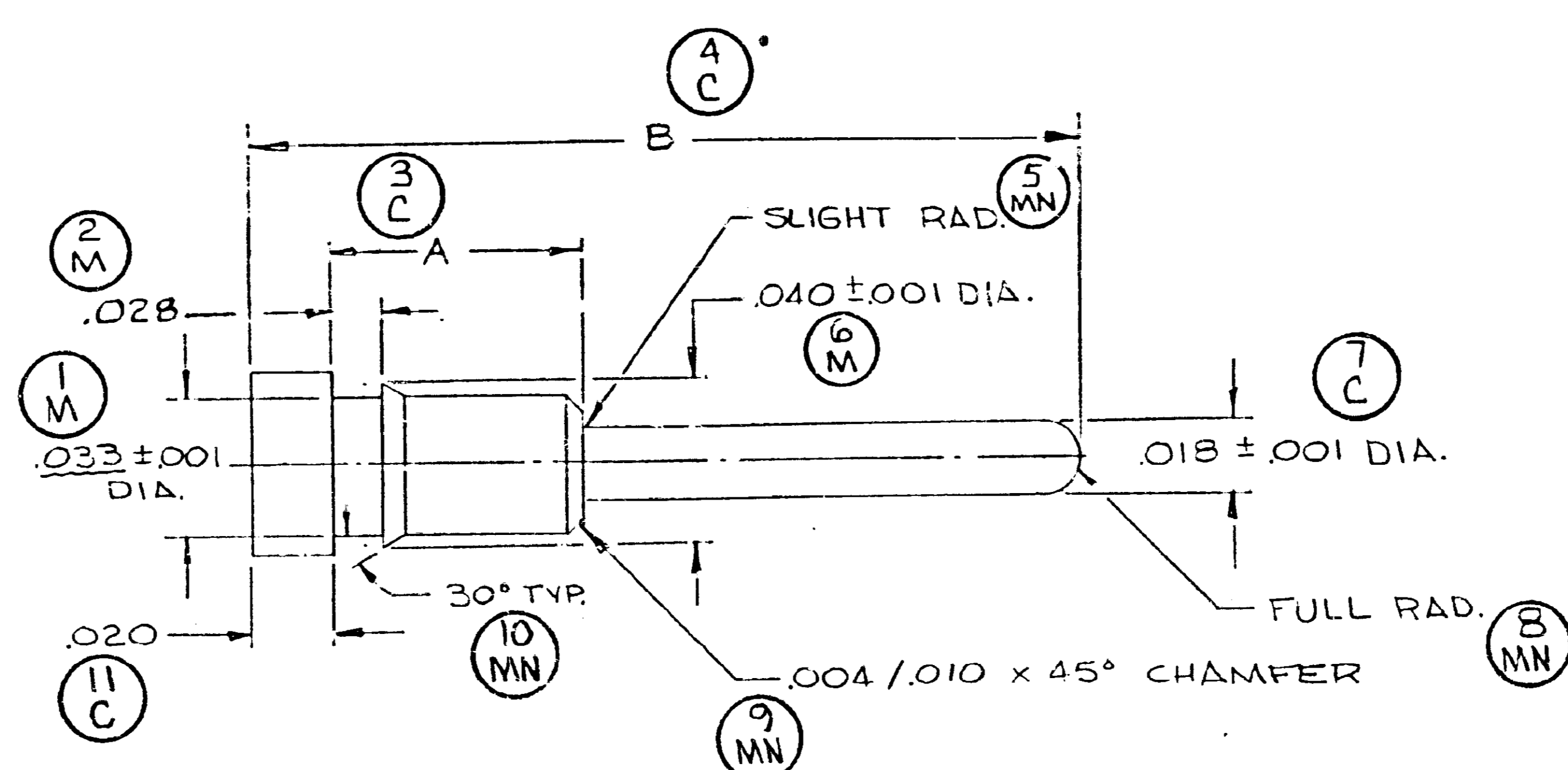
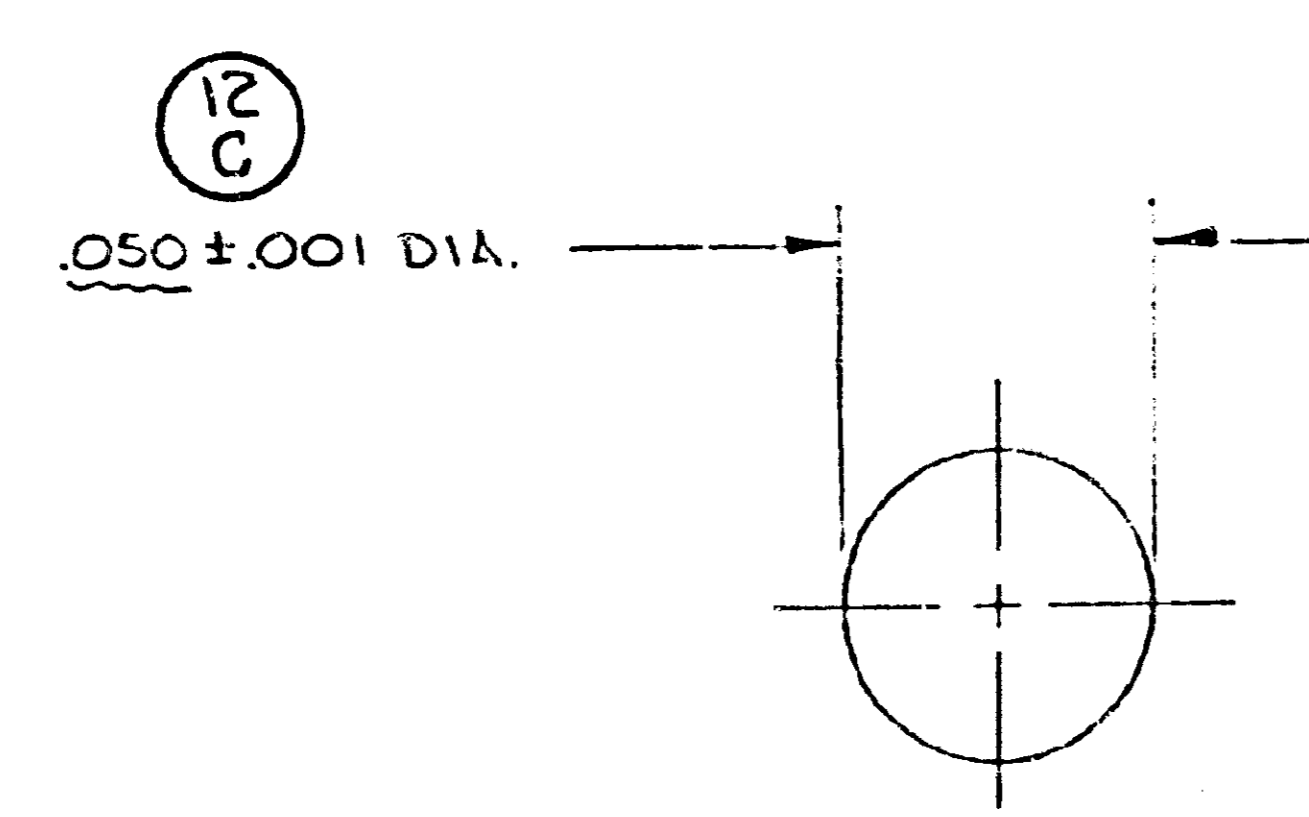


DO NOT SCALE PRINT

**AUGAT CONFIDENTIAL**

THIS DOCUMENT CONTAINS INFORMATION WHICH IS THE EXCLUSIVE PROPERTY OF AUGAT INC. REPRODUCTION OR USE BY OTHERS IS NOT PERMITTED WITH THE EXPRESSED WRITTEN CONSENT OF AUGAT INC.

REV.	
DWG. NO.	



PART No	'A'	'B'
P1	.062	.238
P3	.125	.300

**LEGEND:**

C = CRITICAL DIMENSION  
M = MAJOR DIMENSION  
MN = MINOR DIMENSION

CRITICAL DIM.	MAJOR DIM.	LAST USED	DELETED
3,4,7,11,12	1,2,6	12	

- (P1) (P3) PHOSPHOR BRONZE PER QQ-P-330, COMP. A
- (P2) GOLD PLATE P1 PER AUGAT SPEC. 151 PARA. 3.1.2.  $\Delta$
- (P4) GOLD PLATE P3 PER AUGAT SPEC. 151 PARA. 3.1.2.  $\Delta$
- (P6) TIN-LEAD W/ LATE P1 PER AUGAT SPEC. 151 PARA. 3.3.12  $\Delta$   $\Delta$
- (P7) GOLD PLATE P3 PER AUGAT SPEC. 151, PARA. 3.2.11.  $\Delta$

REV.	REVISIONS
1	WAS AXES 5-67-3 050 ± .001 DIA. WAS 045 ± .001 DIA STOCK 033 WAS .034 DELETED .050, ADDED 028 .238 WAS .207 4 DDED SLIGHT RAD. .004 / .010 X 45° CHAMFER WAS .004 X 45° CHAMFER ADDED DIA. TO .040 ± .001 E.C.O. 12-68 N. DESLOIS 5-3-68 APPD. BAR. 5-3-68
2	ADDED PER P4 ADDED TABULATION E.C.O. N. 303-69 E.C.D. 12-73-69 APPD. BAR. 2-23-74
3	UPDATED PLATING TO CURRENT AUGAT SPEC. E.C.C. 224-75, R.S. 370-77 APPD.
4	E.C.O. NO. 56-77 E.K. 1-18-77
5	APP'D C.E.D. 1-18-77 E.C.O. NO. 51031-79 E.K. 10-4-79 APP'D R.H. 10-9-79
6	ECO 525-92 M.M. 4-24-92 APP'D A.S.C. 4-27-92
7	ECO 1071-92 M.M. 9-25-92 APP'D: A.J.F. 9/28/92

UNLESS OTHERWISE SPECIFIED  
DIMENSIONS ARE IN INCHES  
TOLERANCES ON  
FRACTIONS DECIMALS ANGLES  
 $\pm \frac{1}{16}$   $\pm .005$   $\pm 1^\circ$

MATERIAL:  
AS NOTED

FINISH:  
AS NOTED

DESCRIPTION	DWG. SIZE	PART NUMBER	ITEM NO.
PC 11			
ORIGINAL DATE OF DRAWING:	12-19-67	<b>AUGAT INC.</b> 33 Perry Avenue Attleboro, Mass. 02703	
DRAWN: N. DEBLOIS	DATE: 5-3-68		
CHECKED: BAR	DATE: 5-3-68	TITLE: PIN	
APPROVED: <i>[Signature]</i>	DATE: 5-3-68	DWG. NO. 3149-3	
CODE IDENT NO. 91506	DWG. SIZE B	REV. 7	
NEXT ASSY: 12	SCALE: 20-1	SHEET OF 1	