



Chipsmall Limited consists of a professional team with an average of over 10 year of expertise in the distribution of electronic components. Based in Hongkong, we have already established firm and mutual-benefit business relationships with customers from,Europe,America and south Asia,supplying obsolete and hard-to-find components to meet their specific needs.

With the principle of “Quality Parts,Customers Priority,Honest Operation,and Considerate Service”,our business mainly focus on the distribution of electronic components. Line cards we deal with include Microchip,ALPS,ROHM,Xilinx,Pulse,ON,Everlight and Freescale. Main products comprise IC,Modules,Potentiometer,IC Socket,Relay,Connector.Our parts cover such applications as commercial,industrial, and automotives areas.

We are looking forward to setting up business relationship with you and hope to provide you with the best service and solution. Let us make a better world for our industry!



Contact us

Tel: +86-755-8981 8866 Fax: +86-755-8427 6832

Email & Skype: info@chipsmall.com Web: www.chipsmall.com

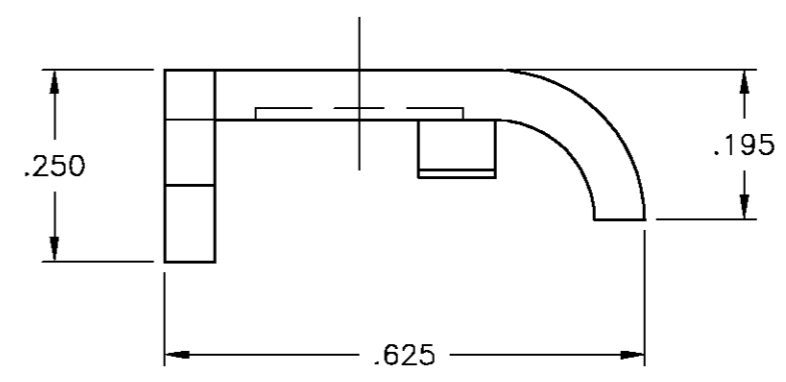
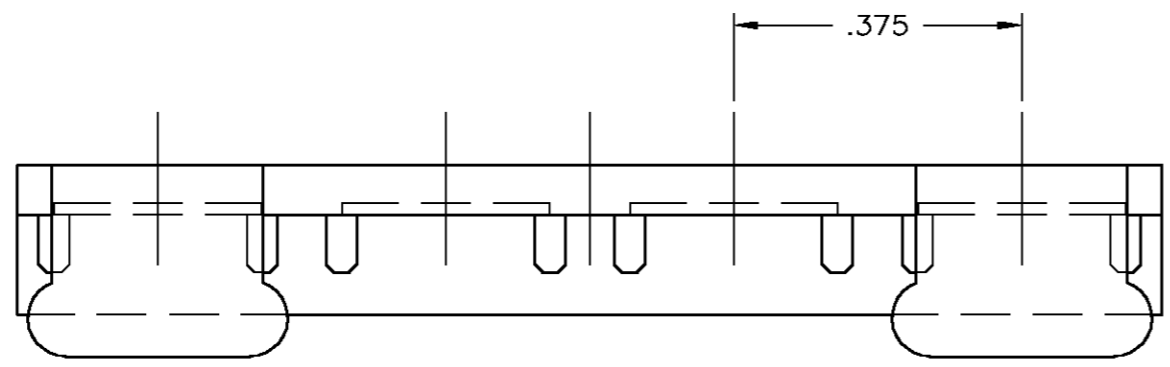
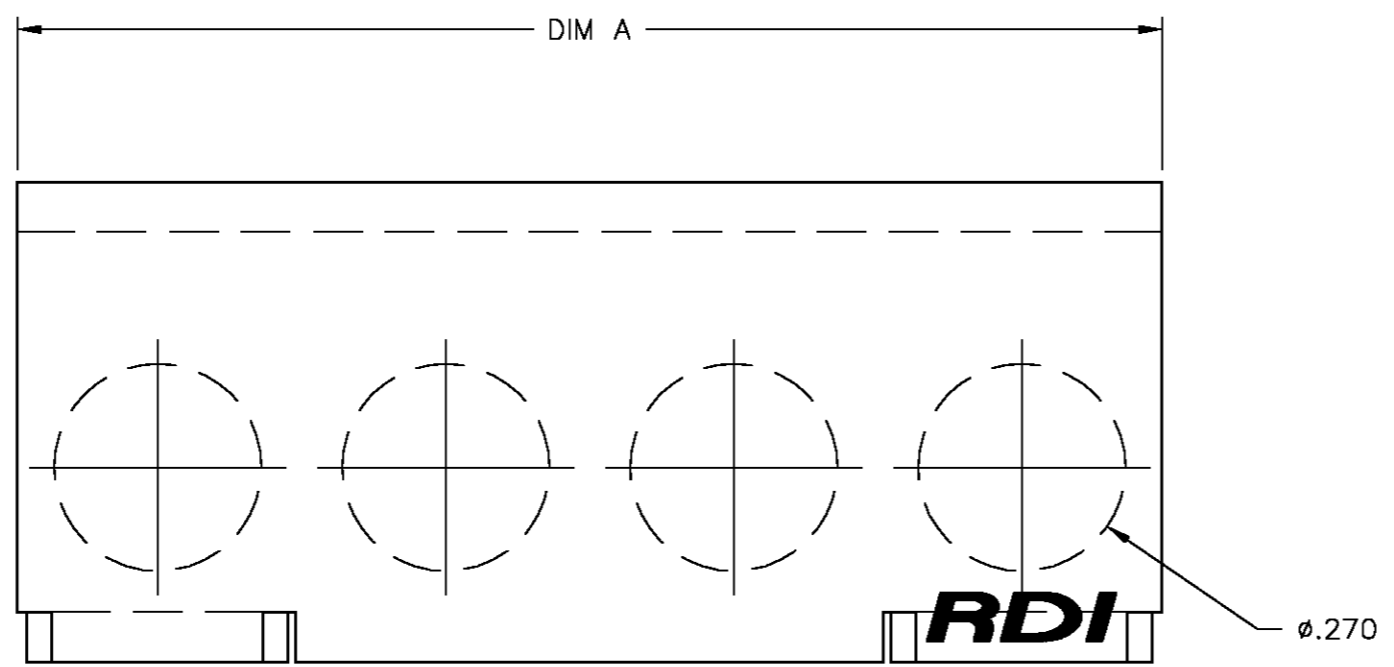
Address: A1208, Overseas Decoration Building, #122 Zhenhua RD., Futian, Shenzhen, China



THIS DRAWING IS UNPUBLISHED. RELEASED FOR PUBLICATION
 © COPYRIGHT BY TYCO ELECTRONICS CORPORATION. ALL RIGHTS RESERVED.

LOC		DIST		REVISIONS			
P	LTR	DESCRIPTION	DATE	DWN	APVD		
0		REVISED PER 0G3B-0562-03	7/9/03	SS	SRY		

- NOTES:
- ⚠ MATERIAL: POLYPHENYLENE OXIDE UL94V-0, BLACK.
 - ⚠ 2 POSITION HAS RDI LOGO OMITTED.
 - 3. FOR USE WITH 6 SERIES BARRIER STRIPS.
 - ⚠ PRELIMINARY PART NUMBER.



DIM A	NO. OF POS.	CATALOG NUMBER	PART NUMBER
5.991	16	TC6-16-PF	1-1546774-6
5.616	15	TC6-15-PF	1-1546774-5
5.241	14	TC6-14-PF	1-1546774-4
4.866	13	TC6-13-PF	1-1546774-3
4.491	12	TC6-12-PF	1-1546774-2
4.116	11	TC6-11-PF	1-1546774-1
3.741	10	TC6-10-PF	4-1437661-3
3.366	9	TC6-09-PF	7-1437661-0
2.991	8	TC6-08-PF	3-1437661-9
2.616	7	TC6-07-PF	6-1437661-9
2.241	6	TC6-06-PF	3-1437661-5
1.866	5	TC6-05-PF	3-1437661-3
1.491	4	TC6-04-PF	3-1437661-1
1.116	3	TC6-03-PF	2-1437661-8
.741	2	TC6-02-PF	9-1437661-5

THIS DRAWING IS A CONTROLLED DOCUMENT.		DWN	S SCHLEGEL	7/9/03	BUCHANAN Tyco Electronics Corporation Harrisburg, PA 17105
DIMENSIONS: INCHES		CHK	S YODER	7/9/03	
TOLERANCES UNLESS OTHERWISE SPECIFIED:		APVD	S YODER	7/9/03	
0 PLC ± - 1 PLC ± - 2 PLC ± - 3 PLC ± .010 4 PLC ± - ANGLES ± -		PRODUCT SPEC	NAME		
MATERIAL		APPLICATION SPEC		SIZE	
FINISH		WEIGHT		CAGE CODE	
-		-		A2 00779	
-		CUSTOMER DRAWING		DRAWING NO	
-		SCALE		RESTRICTED TO	
-		4:1		C=2-1437661-8	
-		SHEET		REV	
-		1 OF 1		0	

2-1437661-8