



Chipsmall Limited consists of a professional team with an average of over 10 year of expertise in the distribution of electronic components. Based in Hongkong, we have already established firm and mutual-benefit business relationships with customers from,Europe,America and south Asia,supplying obsolete and hard-to-find components to meet their specific needs.

With the principle of "Quality Parts,Customers Priority,Honest Operation,and Considerate Service",our business mainly focus on the distribution of electronic components. Line cards we deal with include Microchip,ALPS,ROHM,Xilinx,Pulse,ON,Everlight and Freescale. Main products comprise IC,Modules,Potentiometer,IC Socket,Relay,Connector.Our parts cover such applications as commercial,industrial, and automotives areas.

We are looking forward to setting up business relationship with you and hope to provide you with the best service and solution. Let us make a better world for our industry!



Contact us

Tel: +86-755-8981 8866 Fax: +86-755-8427 6832

Email & Skype: info@chipsmall.com Web: www.chipsmall.com

Address: A1208, Overseas Decoration Building, #122 Zhenhua RD., Futian, Shenzhen, China

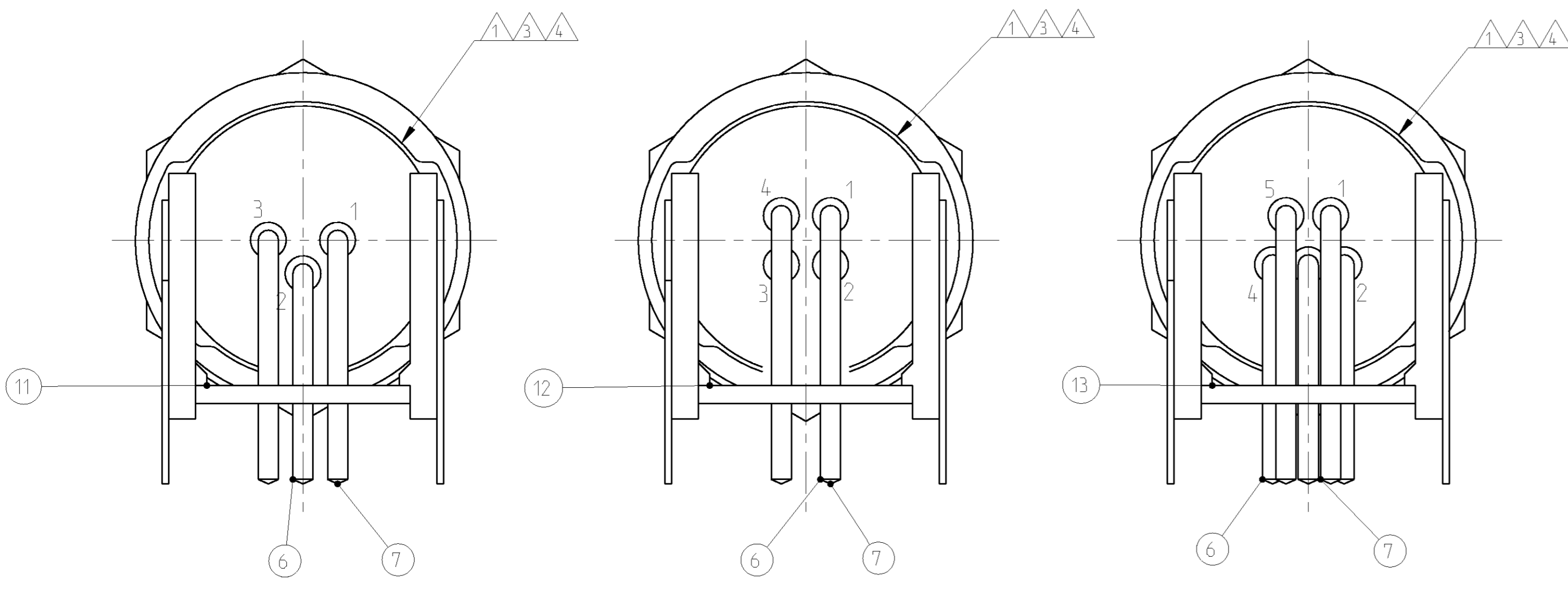


LOC	DISP	REV	DATE	BY	APPV
A1	-	1	18JUN2001	NG	GF
A2	-	2	06DEC2002	NG	GF

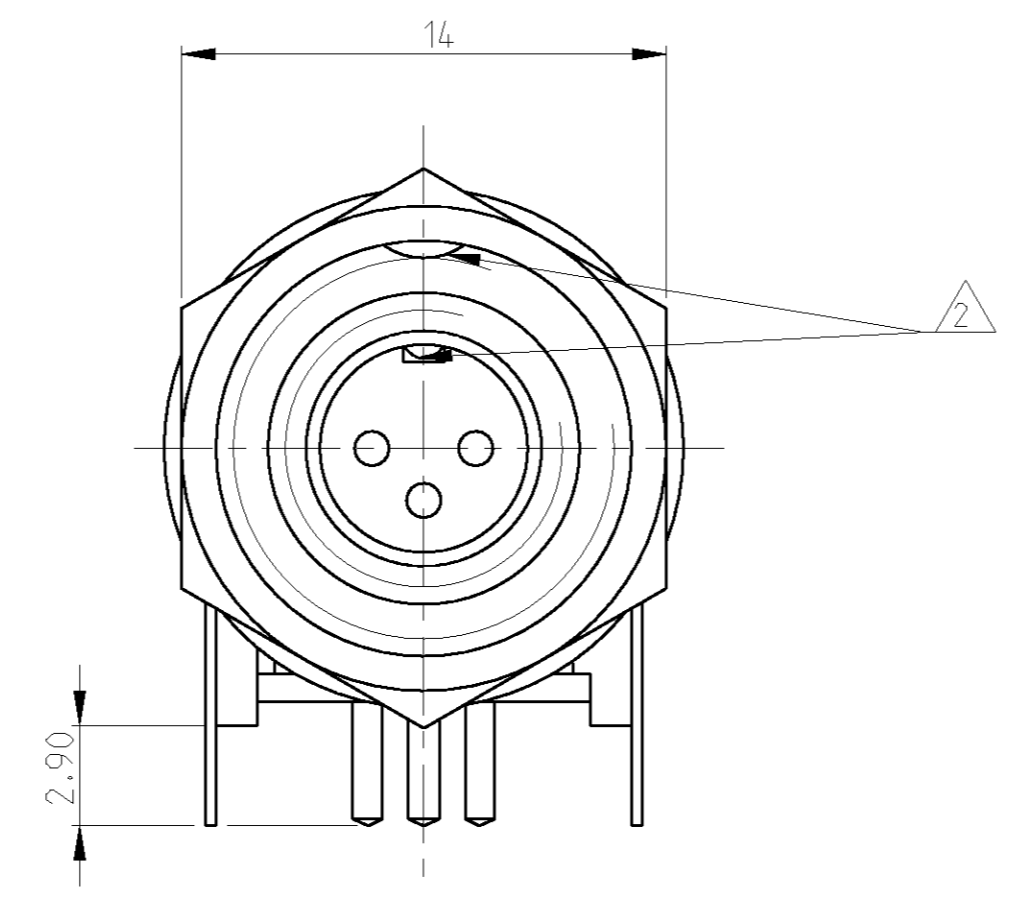
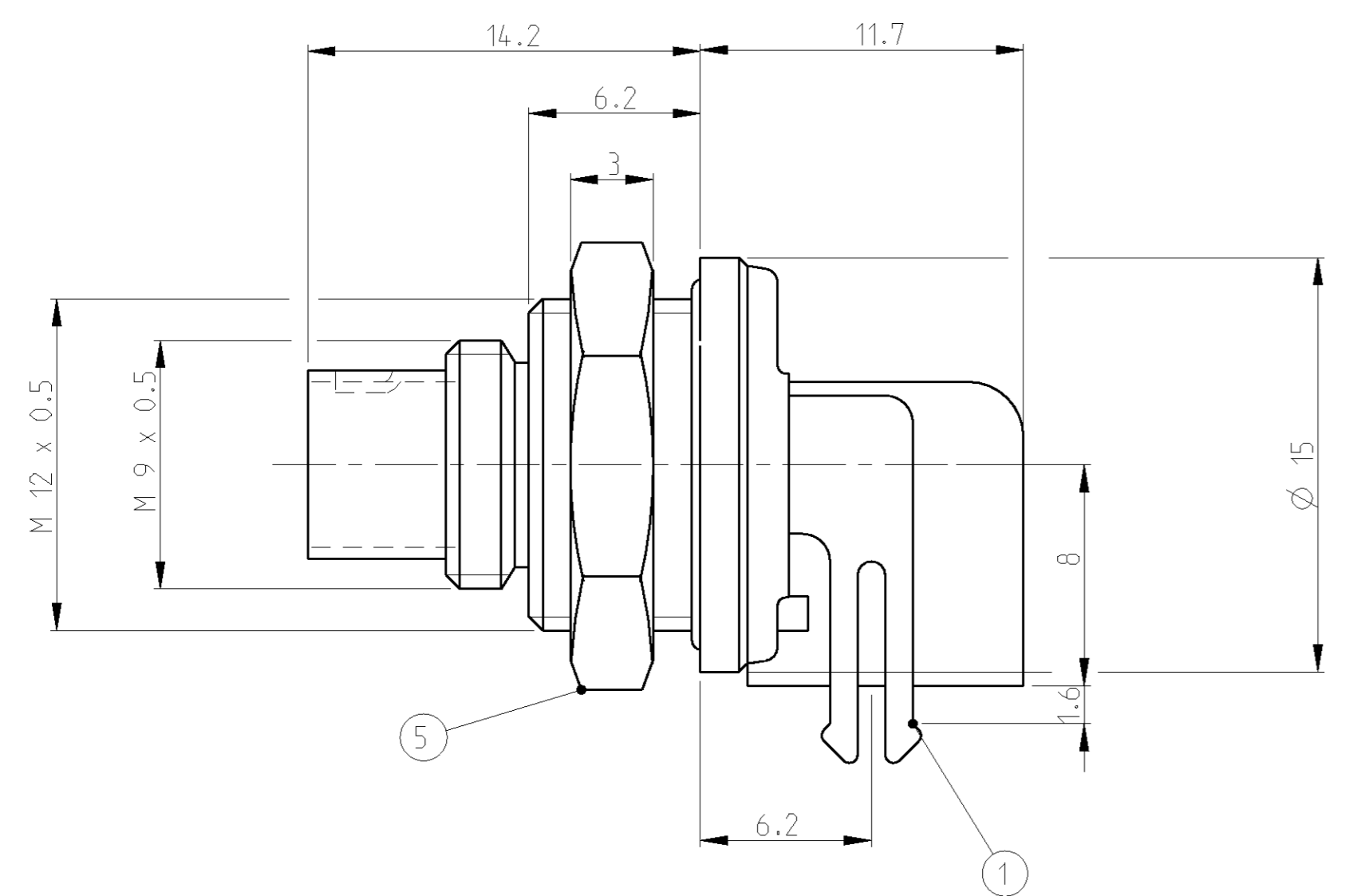
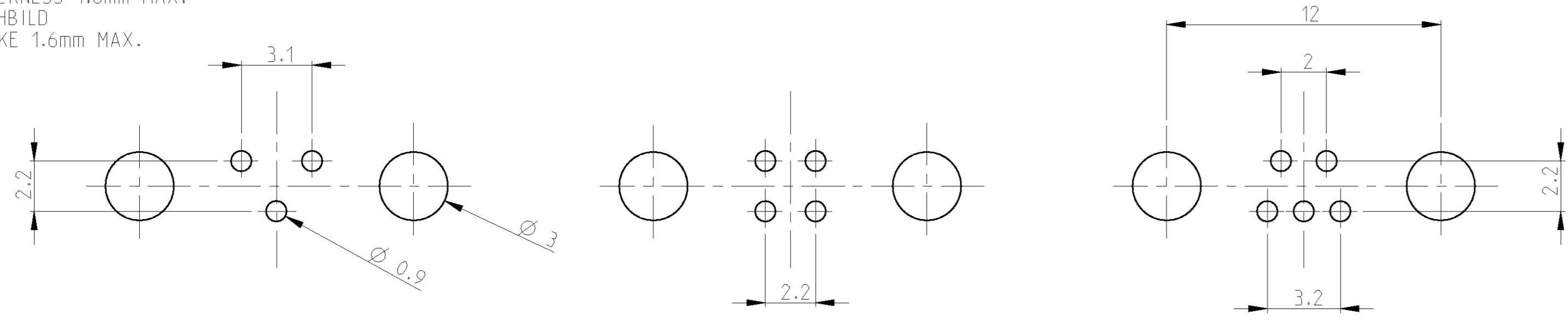
3 WAY
3 POLIG

4 WAY
4 POLIG

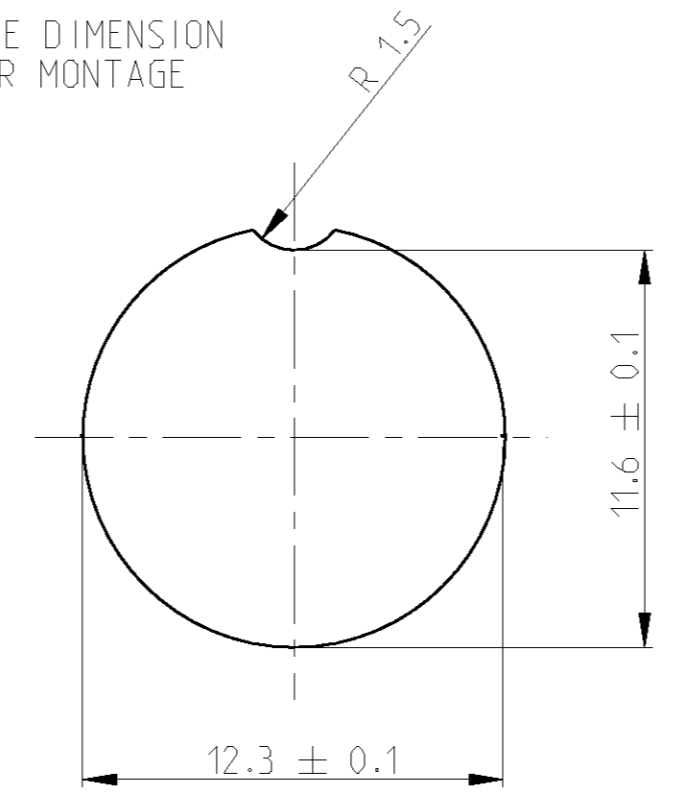
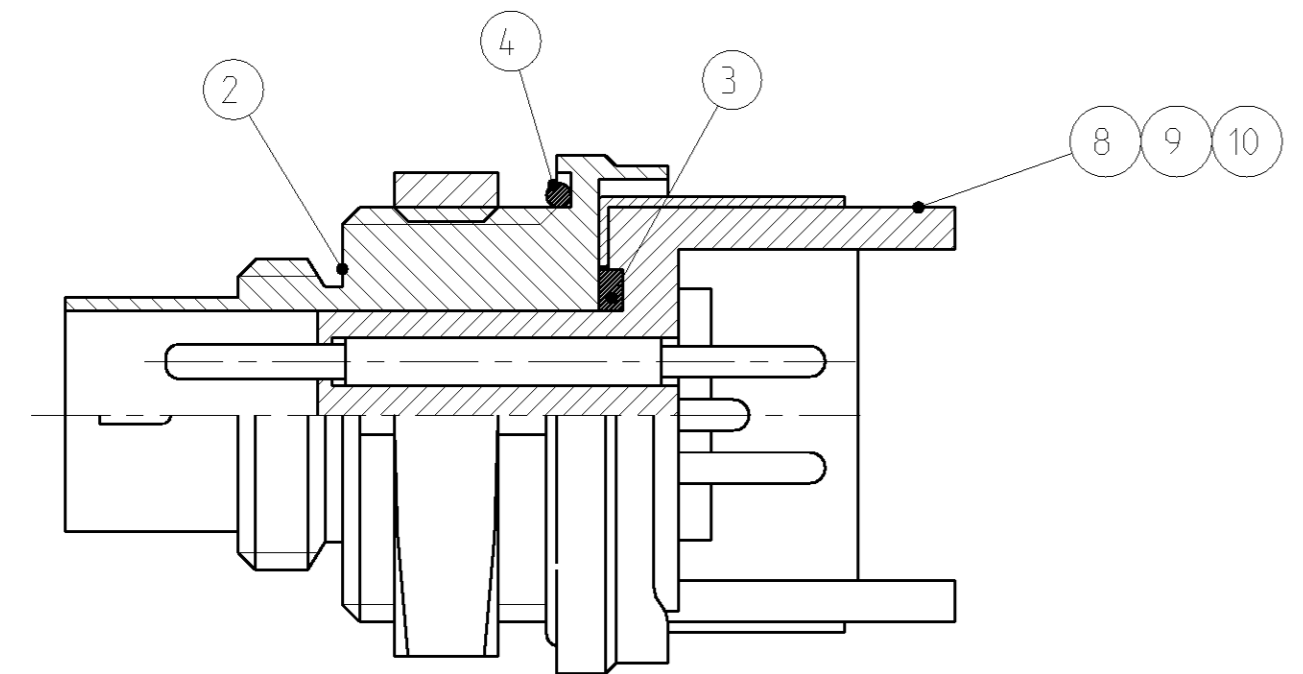
5 WAY
5 POLIG



PCB HOLES
PCB THICKNESS 1.6mm MAX.
PCB LOCHBILD
PCB DICKE 1.6mm MAX.



MOUNTING HOLE DIMENSION
LOCHBILD FUER MONTAGE



MATERIAL / MATERIAL: PBT, UL-94 V2	△5
SHELL MATERIAL / GEHAUSEMATERIAL: CUZN	△4
FINISH / BESCHICHTUNG: TRIBOR 4 µm	△3
WIRE GAGE / DRAHTGROESSE IN mm ² : 0.25	△4
CONTACT RESISTANCE / KONTAKTWIDERSTAND: => 5 mΩ	△3
CODING / CODIERUNG	△2
RATED CURRENT PER CONTACT / NENNSTROM PRO KONTAKT: 3 A	△1
SHELL PROTECTION CLASS / SCHUTZKLASSE: IP 65 / DIN 40050	
TERMINATION: SOLDERING / VERBINDUNG: LOETKONTAKTE	
TEST VOLTAGE / PRUEFSPANNUNG: 500 VAC	
OPERATING VOLTAGE / BETRIEBSSPANNUNG: 60 VAC	
OPERATING TEMPERATURE: -40°C TO +80°C / ARBEITSTEMPERATUR: -40°C BIS +80°C	
MATING CYCLES / STECKZYKLEN: 500 MAX.	
TECHNICAL DATA TECHNISCHE DATEN	

TYCO-NO./TYCO NR.				
5-1437719-1	4-1437719-8	4-1437719-5		
1			PLATE 5 POS. / PLATTE 5 POL.	13
	1		PLATE 4 POS. / PLATTE 4 POL.	12
		1	PLATE 3 POS. / PLATTE 3 POL.	11
1			INSULATION TUBE 5 POS. / ISOLIERHUELSE 5 POL.	10
	1		INSULATION TUBE 4 POS. / ISOLIERHUELSE 4 POL.	9
		1	INSULATION TUBE 3 POS. / ISOLIERHUELSE 3 POL.	8
2	2	2	MALE PIN APPLIED BY PRESSURE / STIFTKONTAKT EINGEPRESST	7
3	2	1	MALE PIN APPLIED BY PRESSURE / STIFTKONTAKT EINGEPRESST	6
1	1	1	NUT / MUTTER	5
1	1	1	SEAL / DICHTUNG	4
1	1	1	SEAL / DICHTUNG	3
1	1	1	HOUSING / GEHAUESE	2
1	1	1	GROUND ON PCB SPRING / VERBINDUNGSFEDER ZUR PCB MASSE	1
-	-	-	REVISION OF EACH ASSY NO. (WHEN BLANK, USE DWG REV.)	
QTY REQD PER ASSY			DESCRIPTION / BESCHREIBUNG	ITEM-NO. TEIL-NR.
T01-0560-P05	T01-0560-P04	T01-0560-P03	PARTS LIST / TEILE LISTE	
CATALOG-NO.	CATALOG-NO.	CATALOG-NO.		

4-1437719-5 AS SHOWN
WIE GEZEICHNET

DWG: H. GEISLER 18JUN2001 CHK: H. SCHERER 18JUN2001 APVD: H. GEISLER 18JUN2001		tyco Tyco Electronics AMP GmbH Esconics D - 64625 Bensheim	
DIMENSIONS: 9 PLC ±0.3 1 PLC ±0.3 2 PLC ±0.3 3 PLC ±0.3 4 PLC ±0.3 FINISH: BLACK		NAME: T01 MALE PLUS CONN. PANEL MNT. PCB VER. 3-5 POS. 90 DGR. T01 STIFTSTECKER. EINBAU. PCB VER. 3-5 POL. 90 GRAD	
MATERIAL: △5		SIZE: A1 CAGE CODE: 00779 DRAWING NO.: 4-1437719-5 RESTRICTED TO MR. PIER	
CUSTOMER DRAWING		SCALE: 1 OF 1 SHEET: 1 OF 1 REV: A2	