



Chipsmall Limited consists of a professional team with an average of over 10 year of expertise in the distribution of electronic components. Based in Hongkong, we have already established firm and mutual-benefit business relationships with customers from,Europe,America and south Asia,supplying obsolete and hard-to-find components to meet their specific needs.

With the principle of “Quality Parts,Customers Priority,Honest Operation,and Considerate Service”,our business mainly focus on the distribution of electronic components. Line cards we deal with include Microchip,ALPS,ROHM,Xilinx,Pulse,ON,Everlight and Freescale. Main products comprise IC,Modules,Potentiometer,IC Socket,Relay,Connector.Our parts cover such applications as commercial,industrial, and automotives areas.

We are looking forward to setting up business relationship with you and hope to provide you with the best service and solution. Let us make a better world for our industry!



Contact us

Tel: +86-755-8981 8866 Fax: +86-755-8427 6832

Email & Skype: info@chipsmall.com Web: www.chipsmall.com

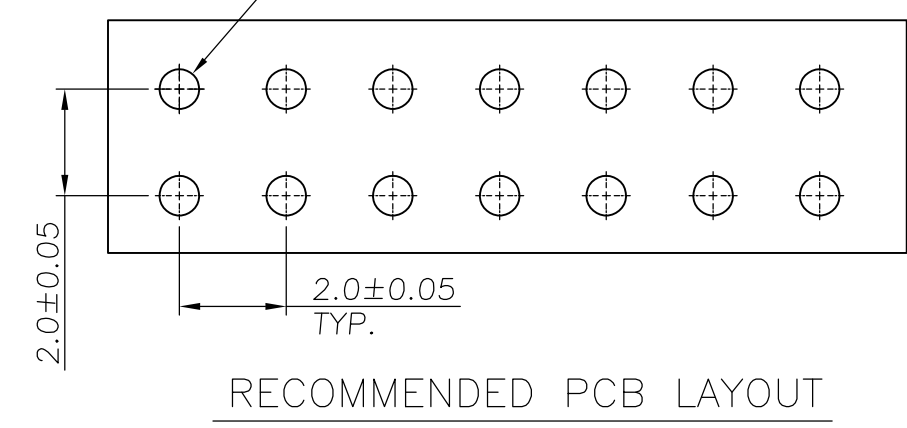
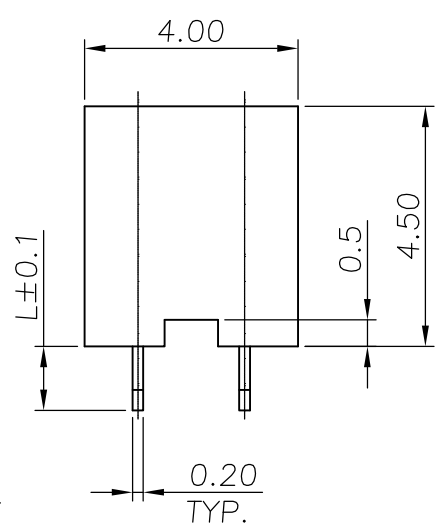
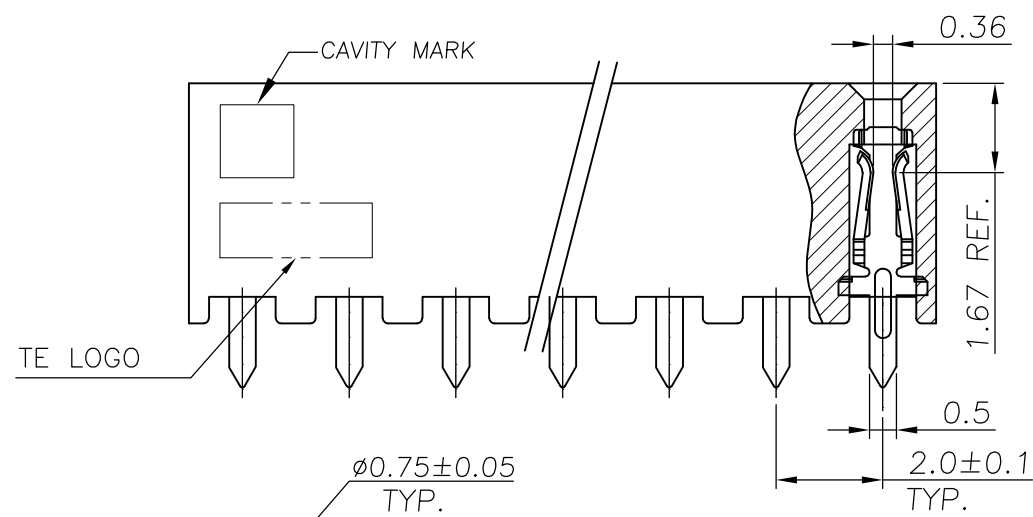
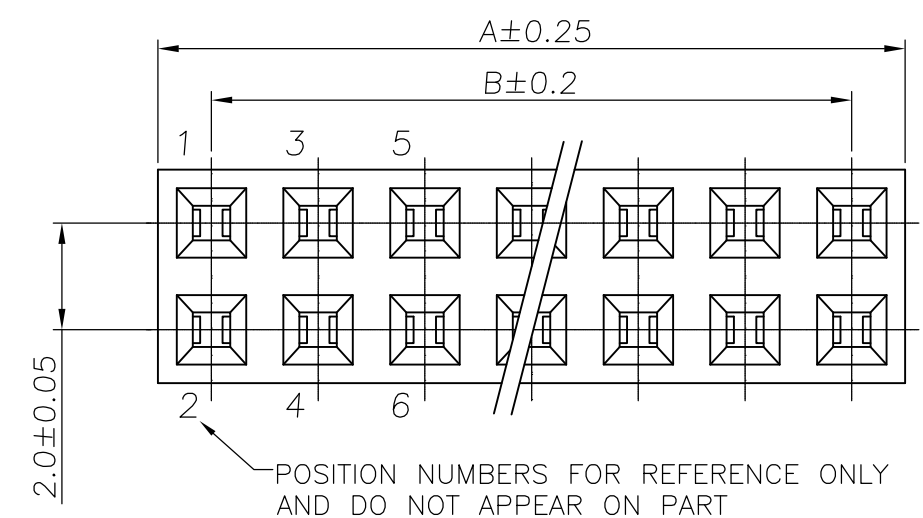
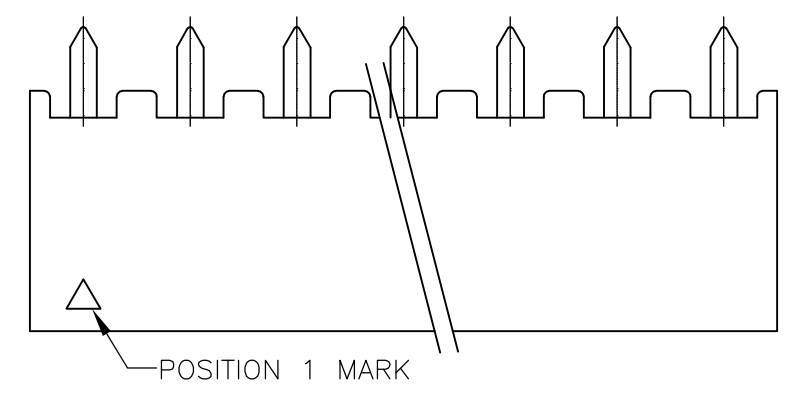
Address: A1208, Overseas Decoration Building, #122 Zhenhua RD., Futian, Shenzhen, China



THIS DRAWING IS UNPUBLISHED
 RELEASED FOR PUBLICATION NOV, 2001.
 ALL RIGHTS RESERVED.
 © COPYRIGHT 2009 By -

LOC	DIST	REVISIONS			
P	LTR	DESCRIPTION	DATE	DWN	APVD
IR	-	E3	ECR-10-026537	27JUN11	KK HMR

- NOTE:
- 1 MATERIAL :
HOUSING : NYLON 66 OR EQUIVALENT, UL94V-0, BLACK COLOUR.
CONTACT : COPPER ALLOY
 - 2 FINISH:
CONTACT : GOLD PLATED (SEE TABLE) ON CONTACT AREA
80µ" MIN. TIN PLATED ON SOLDER TAIL,
50µ" MIN. NICKEL UNDERPLATED ALL OVER.
3. APPLICATION :
SOLDERTAIL LENGTH 2.6 FOR PCB THICKNESS 1.6±0.1
1.2 FOR PCB THICKNESS 0.3 MAX.
4. KEYING POS. : HOUSING CAVITY MOLDED SHUT
5. QUALIFICATION TEST REPORT: 501-57197



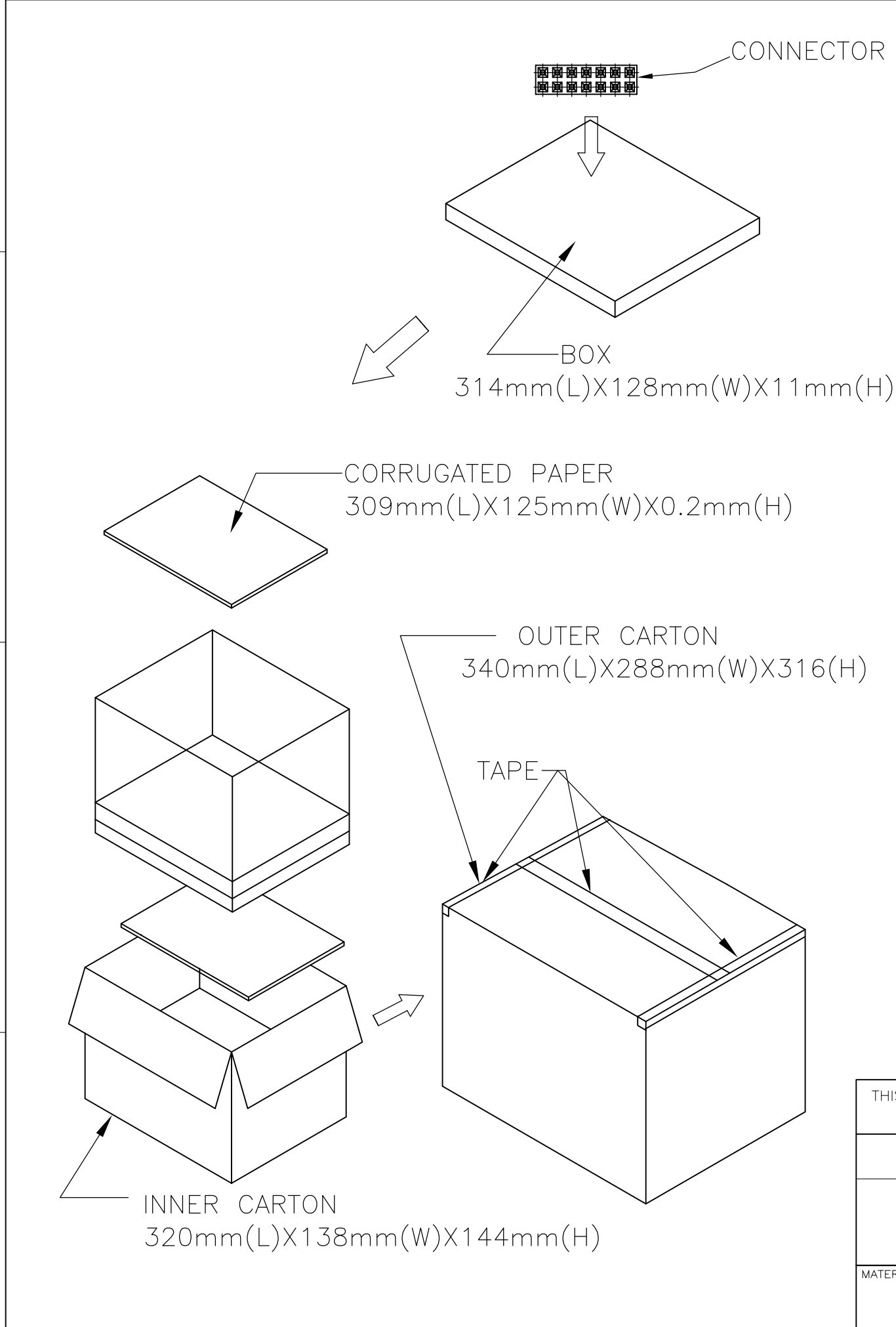
OBsolete	6	40	38	40	9	9	OBsolete	6	40	38	40	4	4	9
OBsolete		50	48	50	9	8	OBsolete		50	48	50	4	4	8
OBsolete		48	46	48	9	7	OBsolete		48	46	48	4	4	7
OBsolete		46	44	46	9	6	OBsolete		46	44	46	4	4	6
OBsolete		44	42	44	9	5	OBsolete		44	42	44	4	4	5
OBsolete		42	40	42	9	4	OBsolete		42	40	42	4	4	4
OBsolete		40	38	40	9	3	OBsolete		40	38	40	4	4	3
OBsolete		38	36	38	9	2	OBsolete		38	36	38	4	4	2
OBsolete		36	34	36	9	1	OBsolete		36	34	36	4	4	1
OBsolete		34	32	34	9	0	OBsolete		34	32	34	4	4	0
OBsolete		32	30	32	8	9	OBsolete		32	30	32	3	3	9
OBsolete		30	28	30	8	8	OBsolete		30	28	30	3	3	8
OBsolete		28	26	28	8	7	OBsolete		28	26	28	3	3	7
OBsolete		26	24	26	8	6	OBsolete		26	24	26	3	3	6
OBsolete		24	22	24	8	5	OBsolete		24	22	24	3	3	5
OBsolete		22	20	22	8	4	OBsolete		22	20	22	3	3	4
OBsolete		20	18	20	8	3	OBsolete		20	18	20	3	3	3
OBsolete		18	16	18	8	2	OBsolete		18	16	18	3	3	2
OBsolete		16	14	16	8	1	OBsolete		16	14	16	3	3	1
OBsolete		14	12	14	8	0	OBsolete		14	12	14	3	3	0
OBsolete		12	10	12	7	9	OBsolete		12	10	12	2	2	9
OBsolete		10	8	10	7	8	OBsolete		10	8	10	2	2	8
OBsolete		8	6	8	7	7	OBsolete		8	6	8	2	2	7
OBsolete		6	4	6	7	6	OBsolete		6	4	6	2	2	6
OBsolete		4	2	4	7	5	OBsolete		4	2	4	2	2	5
OBsolete		50	48	50	7	4	OBsolete		50	48	50	2	2	4
OBsolete		48	46	48	7	3	OBsolete		48	46	48	2	2	3
OBsolete		46	44	46	7	2	OBsolete		46	44	46	2	2	2
OBsolete		44	42	44	7	1	OBsolete		44	42	44	2	2	1
OBsolete		42	40	42	7	0	OBsolete		42	40	42	2	2	0
OBsolete		40	38	40	6	9	OBsolete		40	38	40	1	1	9
OBsolete		38	36	38	6	8	OBsolete		38	36	38	1	1	8
OBsolete		36	34	36	6	7	OBsolete		36	34	36	1	1	7
OBsolete		34	32	34	6	6	OBsolete		34	32	34	1	1	6
OBsolete		32	30	32	6	5	OBsolete		32	30	32	1	1	5
OBsolete		30	28	30	6	4	OBsolete		30	28	30	1	1	4
OBsolete		28	26	28	6	3	OBsolete		28	26	28	1	1	3
OBsolete		26	24	26	6	2	OBsolete		26	24	26	1	1	2
OBsolete		24	22	24	6	1	OBsolete		24	22	24	1	1	1
OBsolete		22	20	22	6	0	OBsolete		22	20	22	1	1	0
OBsolete		20	18	20	5	9	OBsolete		20	18	20	1	1	9
OBsolete		18	16	18	5	8	OBsolete		18	16	18	1	1	8
OBsolete		16	14	16	5	7	OBsolete		16	14	16	1	1	7
OBsolete		14	12	14	5	6	OBsolete		14	12	14	1	1	6
OBsolete		12	10	12	5	5	OBsolete		12	10	12	1	1	5
OBsolete		10	8	10	5	4	OBsolete		10	8	10	1	1	4
OBsolete		8	6	8	5	3	OBsolete		8	6	8	1	1	3
OBsolete		6	4	6	5	2	OBsolete		6	4	6	1	1	2
OBsolete		4	2	4	5	1	OBsolete		4	2	4	1	1	1

THIS DRAWING IS A CONTROLLED DOCUMENT.

DWN	O.HU	30-NOV-2001	 TE Connectivity	AMPMODU 2.0mm PITCH REC CONN,VERTICAL MOUNT TYPE						
CHK	J.CHENG	30-NOV-2001								
APVD	J.WU	30-NOV-2001								
PRODUCT SPEC	108-57197									
APPLICATION SPEC	-		SIZE	A3	CAGE CODE	-	DRAWING NO	C-1470209	RESTRICTED TO	-
MATERIAL	1		WEIGHT	-	SCALE	1:1	SHEET	1 OF 2	REV	E3

THIS DRAWING IS UNPUBLISHED
 © COPYRIGHT 2009 By -
 RELEASED FOR PUBLICATION NOV ,2001.
 ALL RIGHTS RESERVED.

LOC	DIST	REVISIONS			
P	LTR	DESCRIPTION	DATE	DWN	APVD
	-	SEE SHEET 1	-	-	-



OBSOLETE	"L"	Pcs/Carton	Pcs/Inner Carton	Pcs/BOX	POS.	PART NUMBER
OBSOLETE	5040	1260	105	40	9	-9
OBSOLETE	4320	1080	90	50	9	-8
OBSOLETE	4320	1080	90	48	9	-7
OBSOLETE	4320	1080	90	46	9	-6
OBSOLETE	4320	1080	90	44	9	-5
OBSOLETE	5040	1260	105	42	9	-4
OBSOLETE	5040	1260	105	40	9	-3
OBSOLETE	5040	1260	105	38	9	-2
OBSOLETE	5760	1440	120	36	9	-1
OBSOLETE	5760	1440	120	34	9	0
OBSOLETE	6480	1620	135	32	8	-9
OBSOLETE	7200	1800	150	30	8	-8
OBSOLETE	7200	1800	150	28	8	-7
OBSOLETE	7920	1980	165	26	8	-6
OBSOLETE	8640	2160	180	24	8	-5
OBSOLETE	9360	2340	195	22	8	-4
OBSOLETE	10080	2520	210	20	8	-3
OBSOLETE	11520	2880	240	18	8	-2
OBSOLETE	12960	3240	270	16	8	-1
OBSOLETE	15120	3780	315	14	8	0
OBSOLETE	17280	4320	360	12	7	-9
OBSOLETE	20880	5220	435	10	7	-8
OBSOLETE	26640	6660	555	8	7	-7
OBSOLETE	35280	8820	735	6	7	-6
OBSOLETE	51840	12960	1080	4	7	-5
OBSOLETE	4320	1080	90	50	7	-4
OBSOLETE	4320	1080	90	48	7	-3
OBSOLETE	4320	1080	90	46	7	-2
OBSOLETE	4320	1080	90	44	7	-1
OBSOLETE	5040	1260	105	42	7	0
OBSOLETE	5040	1260	105	40	6	-9
OBSOLETE	5040	1260	105	38	6	-8
OBSOLETE	5760	1440	120	36	6	-7
OBSOLETE	5760	1440	120	34	6	-6
OBSOLETE	6480	1620	135	32	6	-5
OBSOLETE	7200	1800	150	30	6	-4
OBSOLETE	7200	1800	150	28	6	-3
OBSOLETE	7920	1980	165	26	6	-2
OBSOLETE	8640	2160	180	24	6	-1
OBSOLETE	9360	2340	195	22	6	0
OBSOLETE	10080	2520	210	20	5	-9
OBSOLETE	11520	2880	240	18	5	-8
OBSOLETE	12960	3240	270	16	5	-7
OBSOLETE	15120	3780	315	14	5	-6
OBSOLETE	17280	4320	360	12	5	-5
OBSOLETE	20880	5220	435	10	5	-4
OBSOLETE	26640	6660	555	8	5	-3
OBSOLETE	35280	8820	735	6	5	-2
OBSOLETE	51840	12960	1080	4	5	-1

OBSOLETE	"L"	Pcs/Carton	Pcs/Inner Carton	Pcs/BOX	POS.	PART NUMBER
OBSOLETE	5040	1260	105	40	4	-9
OBSOLETE	4320	1080	90	50	4	-8
OBSOLETE	4320	1080	90	48	4	-7
OBSOLETE	4320	1080	90	46	4	-6
OBSOLETE	4320	1080	90	44	4	-5
OBSOLETE	5040	1260	105	42	4	-4
OBSOLETE	5040	1260	105	40	4	-3
OBSOLETE	5040	1260	105	38	4	-2
OBSOLETE	5760	1440	120	36	4	-1
OBSOLETE	5760	1440	120	34	4	0
OBSOLETE	6480	1620	135	32	3	-9
OBSOLETE	7200	1800	150	30	3	-8
OBSOLETE	7200	1800	150	28	3	-7
OBSOLETE	7920	1980	165	26	3	-6
OBSOLETE	8640	2160	180	24	3	-5
OBSOLETE	9360	2340	195	22	3	-4
OBSOLETE	10080	2520	210	20	3	-3
OBSOLETE	11520	2880	240	18	3	-2
OBSOLETE	12960	3240	270	16	3	-1
OBSOLETE	15120	3780	315	14	3	0
OBSOLETE	17280	4320	360	12	2	-9
OBSOLETE	20880	5220	435	10	2	-8
OBSOLETE	26640	6660	555	8	2	-7
OBSOLETE	35280	8820	735	6	2	-6
OBSOLETE	51840	12960	1080	4	2	-5
OBSOLETE	4320	1080	90	50	2	-4
OBSOLETE	4320	1080	90	48	2	-3
OBSOLETE	4320	1080	90	46	2	-2
OBSOLETE	4320	1080	90	44	2	-1
OBSOLETE	5040	1260	105	42	2	0
OBSOLETE	5040	1260	105	40	1	-9
OBSOLETE	5040	1260	105	38	1	-8
OBSOLETE	5760	1440	120	36	1	-7
OBSOLETE	5760	1440	120	34	1	-6
OBSOLETE	6480	1620	135	32	1	-5
OBSOLETE	7200	1800	150	30	1	-4
OBSOLETE	7200	1800	150	28	1	-3
OBSOLETE	7920	1980	165	26	1	-2
OBSOLETE	8640	2160	180	24	1	-1
OBSOLETE	9360	2340	195	22	1	0
OBSOLETE	10080	2520	210	20		-9
OBSOLETE	11520	2880	240	18		-8
OBSOLETE	12960	3240	270	16		-7
OBSOLETE	15120	3780	315	14		-6
OBSOLETE	17280	4320	360	12		-5
OBSOLETE	20880	5220	435	10		-4
OBSOLETE	26640	6660	555	8		-3
OBSOLETE	35280	8820	735	6		-2
OBSOLETE	51840	12960	1080	4		-1

THIS DRAWING IS A CONTROLLED DOCUMENT.		DWN O.HU 30-NOV-2001	TE Connectivity		
DIMENSIONS: mm		CHK J.CHENG 30-NOV-2001			
TOLERANCES UNLESS OTHERWISE SPECIFIED:		APVD J.WU 30-NOV-2001	NAME		
0 PLC ± -		PRODUCT SPEC	AMPMODU 2.0mm PITCH REC CONN,VERTICAL MOUNT TYPE		
1 PLC ± 0.15		108-57197	SIZE	CAGE CODE	DRAWING NO
2 PLC ± 0.10		APPLICATION SPEC	A3	-	C-1470209
3 PLC ± 0.05		RESTRICTED TO	-		
4 PLC ± -		WEIGHT	-		
ANGLES ± 3'		CUSTOMER DRAWING	SCALE	SHEET	REV
MATERIAL SEE SHEET 1		FINISH SEE SHEET 1	1:1	2 OF 2	E3